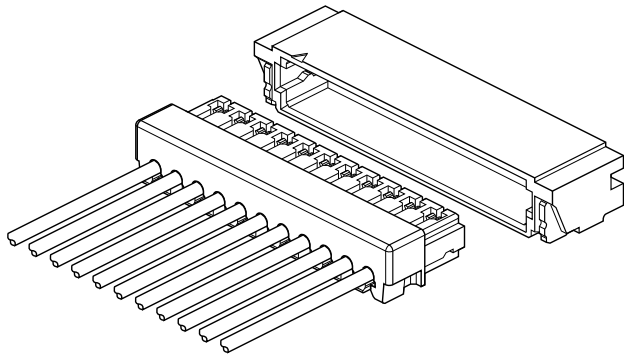


XSR CONNECTOR



0.6 mm pitch/Disconnectable Insulation displacement connectors



This is the world's smallest 0.6 mm pitch ID connector for discrete wires. This Wire to Board miniaturized connector has a mounting height of 1.45 mm and depth of 3.0 mm.

- Space saving
- Twin U-slot insulation displacement section
- New strain relief structure
- Suitable for thin wires
- Applicable to automatic ID machines

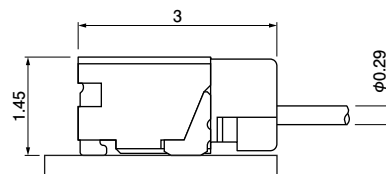
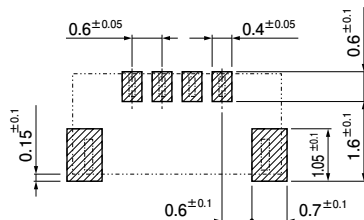
Specifications

- Current rating: 0.2 A AC, DC
- Voltage rating: 30 V AC, DC
- Temperature range: -25°C to +85°C
(including temperature rise in applying electrical current)
- Contact resistance: Initial value/ 30 mΩ max.
After environmental testing/ 50 mΩ max.
- Insulation resistance: 100 MΩ min.
- Withstanding voltage: 200 VAC/minute
- Applicable wire: Conductor size/ AWG #36
Conductor/ 7 strands,
tin-coated copper alloy
Insulation O.D./ 0.29 mm

- * Compliant with RoHS.
- * Refer to "General Instruction and Notice when using Terminals and Connectors" at the end of this catalog.
- * Contact JST for details.

Standards

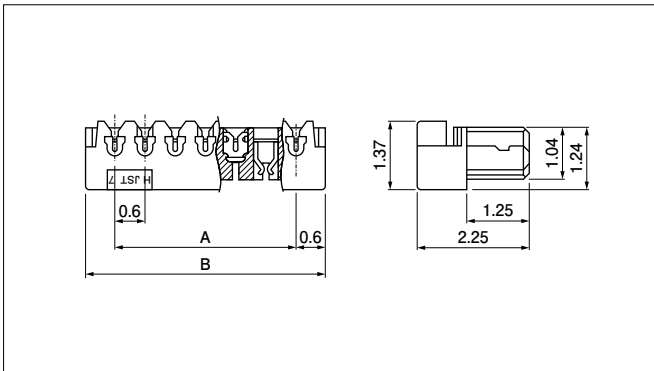
- Ⓜ Recognized E60389
- Ⓢ Certified LR20812



- Note: 1. The above figure is the figure viewed from the connector mounting side.
2. Tolerances are non-cumulative: ± 0.05 mm for all centers.
3. The dimensions above should serve as a guideline. Contact JST for details.

XSR CONNECTOR

Socket



No. of circuits	Model No.	Dimensions (mm)		Q'ty / box
		A	B	
2	02XSR-36S	0.6	1.8	4,000
4	04XSR-36S	1.8	3.0	4,000
6	06XSR-36S	3.0	4.2	4,000
10	10XSR-36S	5.4	6.6	4,000
16	16XSR-36S	9.0	10.2	4,000
20	20XSR-36S	11.4	12.6	4,000
22	*22XSR-36S	12.6	13.8	4,000

Material and Finish

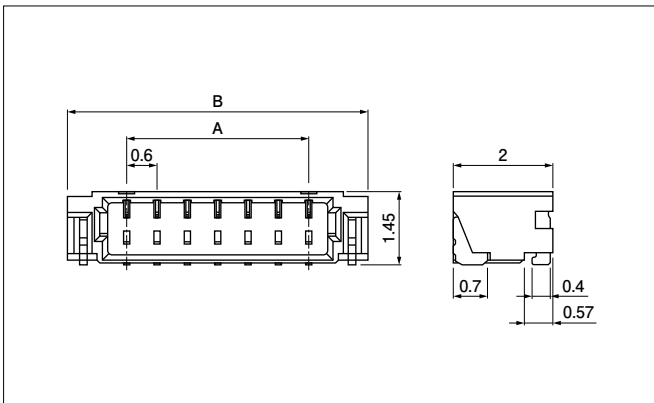
Contact: Copper alloy, tin-plated (reflow treatment)

Housing: PA, UL94V-0, natural

RoHS compliance

Note: *Marked product is unlisted in the UL/CSA standards.

Header



No. of circuits	Model No.	Dimensions (mm)		Q'ty / reel
		A	B	
2	SM02B-XSRS-ETB	0.6	3.0	3,500
4	SM04B-XSRS-ETB	1.8	4.2	3,500
6	SM06B-XSRS-ETB	3.0	5.4	3,500
10	SM10B-XSRS-ETB	5.4	7.8	3,500
16	SM16B-XSRS-ETB	9.0	11.4	3,500
20	SM20B-XSRS-ETB	11.4	13.8	3,500
22	*SM22B-XSRS-ETB	12.6	15.0	3,500

Material and Finish

Contact: Copper alloy, copper-undercoated, tin-plated (reflow treatment)

Housing: PA, UL94V-0, natural

Solder tab: Brass, copper-undercoated, tin-plated (reflow treatment)

RoHS compliance

This product displays (LF)(SN) on a label.
 Note: 1. This products listed above are supplied on embossed-tape.
 2. *Marked product is unlisted in the UL/CSA standards.

Model number allocation

Socket

02 XSR - 36 S

No. of circuits: 2, 4, 6, 10, 16, 20, 22
Series name
Applicable wire range: 36...AWG #36
Color: S...Natural (Standard color), LG...Light green, LP...Light purple, L...Lemon yellow, PK...Pink, LE...Light blue, O...Orange

Header

SM 02 B - XSR S - ETB

Shape of assembled product: SM...SMT Side entry type
No. of circuits: 2, 4, 6, 10, 16, 20, 22
Part name: Header
Series name
Color S...Natural (Standard color), LG...Light green, LP...Light purple, L...Lemon yellow, PK...Pink, LE...Light blue, O...Orange
Packaging style: ETB...Embossed-taping