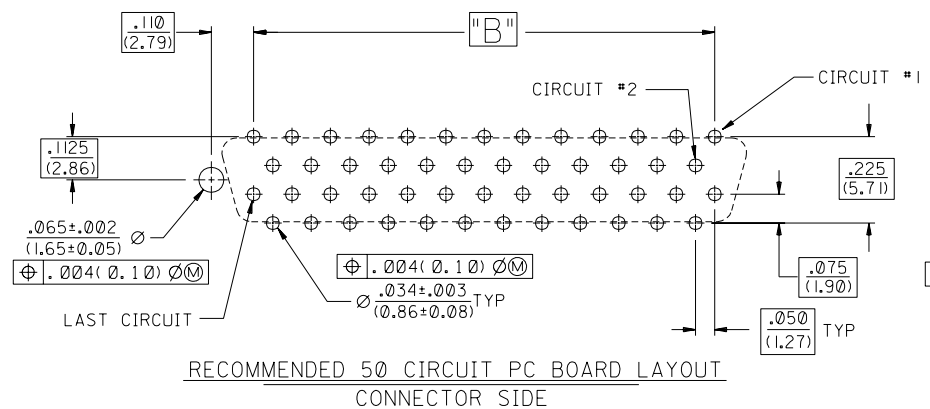


**GENERAL NOTES:**

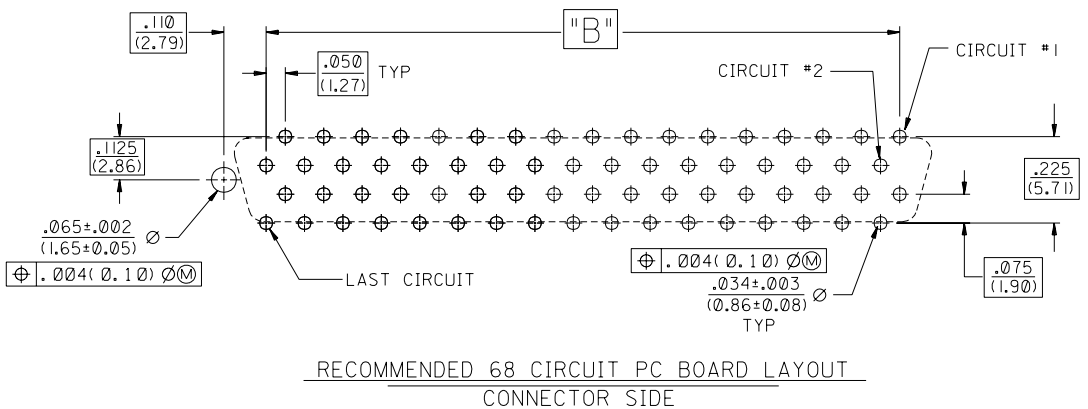
1. 68 CIRCUIT SHOWN FOR ILLUSTRATION PURPOSES ONLY.
2. SEE SHEET 2 FOR ITEM NO'S, CHARTED DIMENSIONS, PACKAGING, MATERIAL SPEC'S AND P.C. BOARD LAYOUT FOR SERIES 73631-30\*\*.
3. TAIL PATTERN FIXED AT CIRCUIT NO. (1) POSITION FOR ALL CIRCUIT SIZES LISTED IN CHARTS FOR ALL SERIES.
4. FOR SERIES 73631-31\*\* REFER TO SHEETS 3 AND 4.

ADD LEADFREE NOTE EC NO. UCP2004-1925 DRW:DMORGAN 04/04/05 CHK: BBARKER 04/04/05 APPR:SMILLER 04/04/05	QUALITY SYMBOLS MAJOR = 4 CRITICAL = 0	GENERAL TOLERANCES: (UNLESS SPECIFIED) mm      INCH		SCALE 4 : 1	DESIGN UNITS <input type="checkbox"/> mm <input checked="" type="checkbox"/> INCH	THIRD ANGLE PROJECTION <input checked="" type="checkbox"/> mm <input checked="" type="checkbox"/> INCH <input type="checkbox"/> mm ONLY	DIMENSIONS: <input type="checkbox"/> mm <input checked="" type="checkbox"/> INCH <input type="checkbox"/> mm ONLY	SHT 4 REV F
		DRAWN BY & DATE <i>J. Long</i> 96/11/13		CHECKED BY & DATE <i>J. Long</i> 96/11/14		TITLE: SALES SCSI ALL-PLASTIC VERTICAL RECEPTACLE ASS'Y W/LATCHES & POLZTN PEG		
		APPROVED BY & DATE BRINKMAN 96/11/15		CAD FILENAME S7363131.DGN		MATERIAL NO. SEE SH'T 2	DRAWING NO. SD-73631-006	SHEET NO. 1 OF 4
		DRAFT WHERE APPLICABLE MUST REMAIN WITHIN DIMENSIONS		THIS DRAWING CONTAINS INFORMATION THAT IS PROPRIETARY TO MOLEX INCORPORATED AND SHOULD NOT BE USED WITHOUT WRITTEN PERMISSION.				

MATERIAL NO.	CIRCUIT SIZE	DIM. A		DIM. B		DIM. D		DIM. P		RECOMMENDED PCB	
		INCH	MM	INCH	MM	INCH	MM	INCH	MM	INCH	MM
73631-3001	50	1.665	42.29	1.200	30.48	1.366	34.70	.125	3.18	.062 OR .093	1.57 OR 2.36
73631-3002	68	2.115	53.72	1.650	41.91	1.816	46.13	.125	3.18	.062 OR .093	1.57 OR 2.36



RECOMMENDED 50 CIRCUIT PC BOARD LAYOUT  
CONNECTOR SIDE



RECOMMENDED 68 CIRCUIT PC BOARD LAYOUT  
CONNECTOR SIDE

**NOTES:**

- MATERIAL:  
RECEPTACLE HOUSING: GLASS FILLED LIQUID CRYSTAL POLYMER;  
COLOR: BLACK; UL 94V-0  
TERMINALS: PHOSPHOR BRONZE
- FINISH:  
TERMINALS: SEE LIST BELOW
- REFER TO PS-79058 PRODUCT SPEC. FOR ELECTRICAL,  
MECHANICAL AND ENVIRONMENTAL SPECIFICATIONS.
- PACKAGING:  
PARTS PACKAGED IN TUBES PER PK-70873-0427.

**TERMINAL FINISH:**

SELECTIVE GOLD: THICKNESS= 30 MICROINCHES/(0.76 MICROMETERS) MINIMUM.  
SELECTIVE TIN: THICKNESS= 75 MICROINCHES/(1.90 MICROMETERS) MINIMUM.  
NICKEL UNDERPLATE OVERALL.

NOTE FOR LEAD FREE CONVERSION:  
THE PRIMARY SHIPPING CARTON WILL BE  
LABELED "COMPLIANT TO ROHS DIRECTIVE  
2002/95/EC AND ELV ANNEX II OF  
DIRECTIVE 2000/53/EC". CARTONS  
WITHOUT THIS LABEL MAY CONTAIN  
PRODUCT WITH LEAD.

73631-30\*\* SERIES

ADD LEADFREE NOTE EC No. UCP2004-1925 DRAWN: DMORGAN 04/04/05 CHK: BBARKER 04/04/05 APPR: SWILLER 04/04/05	QUALITY SYMBOLS MAJOR CRITICAL	GENERAL TOLERANCES: (UNLESS SPECIFIED)		SCALE 4:1	DESIGN UNITS <input type="checkbox"/> mm <input checked="" type="checkbox"/> INCH	DIMENSIONS: <input type="checkbox"/> mm <input checked="" type="checkbox"/> INCH <input type="checkbox"/> mm ONLY	SHT	REV
		4 PLACES ±0.	±.	DRAWN BY & DATE <i>J. Long</i> 96/11/13	THIRD ANGLE PROJECTION		REVISE ON CAD ONLY	
REV	DESCRIPTION	3 PLACES ±0.	±.005	CHECKED BY & DATE <i>J. Long</i> 96/11/14	TITLE: SALES SCSI ALL-PLASTIC VERTICAL RECEPTACLE ASS'Y W/LATCHES & POLZTN PEG			
		2 PLACES ±0.13	±.	APPROVED BY & DATE BRINKMAN 96/11/15	MATERIAL NO. SEE CHART		DRAWING NO. SD-73631-006	SHEET NO. 2
		1 PLACE ±0.	±.	CAD FILENAME S7363132.DGN	MATERIAL NO. SEE CHART		DRAWING NO. SD-73631-006	SHEET NO. 2
		ANGULAR: ± 1/2°		DRAFT WHERE APPLICABLE MUST REMAIN WITHIN DIMENSIONS		THIS DRAWING CONTAINS INFORMATION THAT IS PROPRIETARY TO MOLEX INCORPORATED AND SHOULD NOT BE USED WITHOUT WRITTEN PERMISSION.		