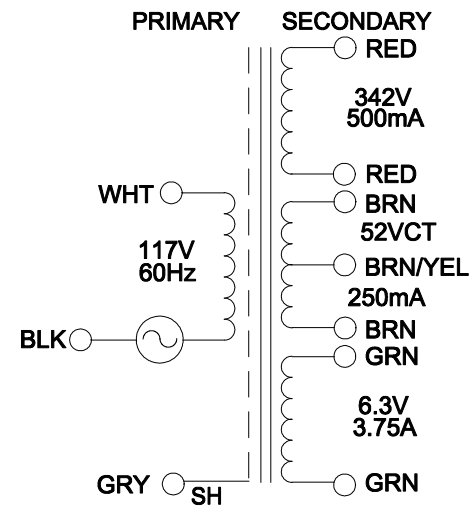


DIMENSIONS:	
A	4.125" ±0.063
B	3.985" ±0.125
C	3.795" ±0.063
D	3.441" ±0.063
E	2.650" ±0.063
F	3.212" ±0.063
G	0.203" x 0.375" ±0.015



NOTE: ALL LEADS 9" OUT MIN., STRIPPED .5"

ELECTRICAL DATA:		
TESTS	CONDITIONS	ACCEPTANCE CRITERIA
I <sub>ex</sub>	@ 120V, 60Hz, BLK - WHT	291mA Max.
Sec. N.L.V	@ 120V, 60Hz, BLK - WHT	
	RED - RED =	355.7V ±2%
	BRN - BRN =	55.12V ±2%
	BRN - BRN/YEL = BRN/YEL - BRN =	27.56V ±2%
	GRN - GRN =	6.760V ±2%
DCR	@ 20°C, BLK - WHT =	1.520 Ω ±20%
	@ 20°C, RED - RED =	10.34 Ω ±20%
	@ 20°C, BRN - BRN =	4.750 Ω ±20%
	@ 20°C, GRN - GRN =	0.080 Ω ±20%
HIPOT	PRIMARY - SECONDARY	2000V, 60Hz, 1 SEC

REV.#	REVISION	DATE	HAMMOND MANUFACTURING™		ELECTRONIC DIVISION	
0	RELEASED.	07/28/11	52 RANKIN PLACE, WATERLOO, ONTARIO, N2J 3Z5		PH # (519) 886-6181 FAX # (519) 886-9540	
			DWG. BY: C. ILIE	CHK'D BY:	TITLE: 290VX	DWG. NO.
			DATE: 07/28/11	APP'D. BY:	TRANSFORMER	290VX
				DIMENSIONS: IN(X) MM( )		