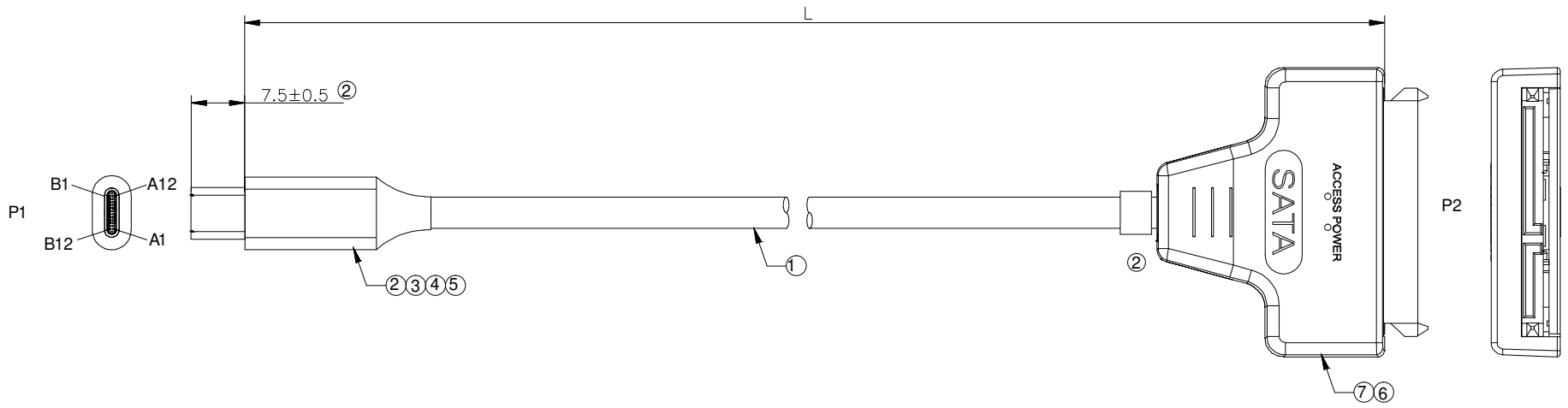


A
B
C
D
E
F
G
H

A
B
C
D
E
F
G
H



PN	L
A-USB31C-03M-100	1000±30
A-USB31C-03M-030	300±15



PCB FRONT SIDE PCB BACK SIDE

PIN ASSIGNMENT

P1		P2	
A4,B4,A9,B9	RED	1	5V
A7	WHITE	2	D-
A6	GREEN	3	D+
A1,B1,A1 2,B12	BLACK	4	GND
A3	BLUE	5	TXN
A2	YELLOW	9	TXP
A1,B1,A1 2,B12	DRAIN	8	GND
B10	PURPLE	7	RXN
B11	ORANGE	6	RXP
A1,B1,A1 2,B12	DRAIN	10	GND

NOTE:
 1. Transmission speed: 5Gbps
 2. Conductive resistance: 2Ω Max
 3. Insulation resistance: 10MΩ Min/300VDC, 10ms
 4. 100% open, short, miswire test.

△	Shell	SATA outer shell black insulator	1	SET
△	SATA	SATA 7+15, with PCB, blue insulator	1	PCS
△	Over mold	PVC BLACK	NA	G
△	Inner mold	LD-PE	NA	G
△	Copper foil	Copper foil, W=4mm	NA	MM
△	CONN	Type-C 3.1, with 5.1K, 10nF, pin gold 1u" min, shell nickel plated	1	PCS
△	CABLE	((7/0.080T+250D)*1P+D+AL+HM)*2C+7/0.080T*1P+7/0.16T*2C +D(7/0.16B)+F+AB16/4/0.10T, VW-1	1	PCS
NO.	NAME	DESCRIPTION	Q'TY	UNIT

RoHS compliant
Unit: mm

Scale	Free				Date	Name	Customer-No.
TOLERANCE					Drawn	09.12.2022	Daniel
					Approved	26.06.2023	Luca
		② Update dimension and SR	26.06.2023	Luca			ASSMANN WSW-No. A-USB31C-03M-xxx
DIM	TOL	① Update design and PN	24.04.2023	Daniel			
		① Drawn	09.12.2022	Daniel			
Angle	TOL	ld.	Modification	Date	Name	Drawing-No. ASS 10359 CA rev02 Replace Sheet 1/1	