

09225SA

DC Axial Fan Ball Bearing

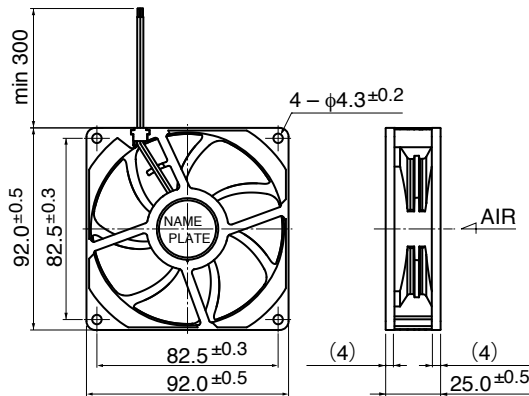
92[□]X25^L



General Specifications

Motor Protection	Auto Restart / Polarity Protection
Insulation Resistance	10MΩ or over with a DC500V Megger
Dielectric Withstand Voltage	: AC700V 1s
Allowable Ambient Temperature Range	: -10°C ~ +70°C (Operating) -40°C ~ +70°C (Storage) non-condensing environment

Outline



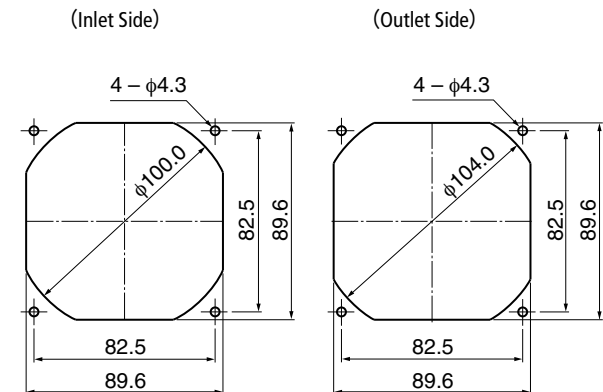
* Outline is A (Rib) type.

Expected Life

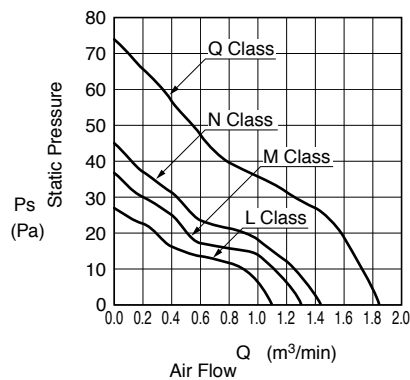
※ Failure Rate: 10% (L10 Life)

60°C 40,000 (Hours)

Panel Out-cuts



Characteristic Curves



Material

Casing	: Plastic (Black) UL94V-0
Impeller	: Plastic (Black) UL94V-0
Bearing	: Ball Bearing
Lead Wire	: UL3385 AWG26 +: Red, -: Black

Specifications

□ = Casing Form --- A: Rib Type, E: Flange Type

Model	Product No.	Rating Voltage	Operating Voltage	Current	Input Power	Speed	Max. Air Flow		Max. Static Pressure		Noise	Mass
		(V)	(V)	(A)*1	(W)*1	(min ⁻¹)*1	(m ³ /min)*1	(CFM)*1	(Pa)*1	(In H ₂ O)*1	(dB)*1	(g)
09225SA-12L-□A-	D0	12	6.0 ~ 13.8	0.10	1.20	2400	1.13	39.9	29.0	0.12	25.0	102
09225SA-12M-□A-	D0			0.14	1.68	2750	1.28	45.2	36.2	0.14	29.0	
09225SA-12N-□A-	D0			0.16	1.92	3100	1.45	51.2	45.0	0.18	32.0	
09225SA-12Q-□A-	D0			0.25	3.00	3900	1.84	65.0	73.0	0.29	40.0	
09225SA-24L-□A-	D0	24	12.0 ~ 27.6	0.05	1.20	2400	1.13	39.9	29.0	0.12	25.0	
09225SA-24M-□A-	D0			0.07	1.68	2750	1.28	45.2	36.2	0.14	29.0	
09225SA-24N-□A-	D0			0.08	1.92	3100	1.45	51.2	45.0	0.18	32.0	
09225SA-24Q-□A-	D0			0.13	3.12	3900	1.84	65.0	73.0	0.29	40.0	

Rotation: Clockwise as seen from the label side
Airflow Outlet: Label side

*1: Average Values in Free Air