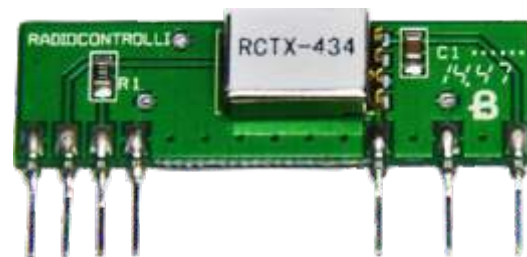


Radio Transmitter module with crystal oscillator 433.92MHz - ASK/OOK Modulation

RCBTX-434 is a transmitter module with crystal oscillator, allow to realize a complete Remote Keyless adding a coding circuit.
Available in versions 5Volt and 3Volt.



ASK/OOK Modulation. Metallic shield.

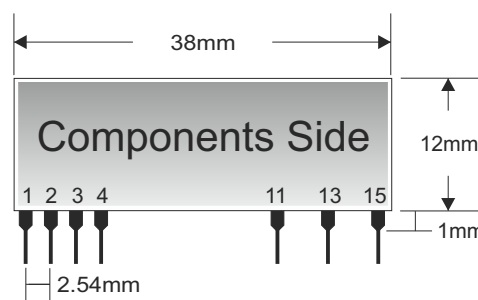
Technical Characteristics

Characteristics	MIN	TYP	MAX	UNIT
V _{CC} Supply Voltage (5 Volt version)	4	5	12	VDC
V _{CC} Supply Voltage (3 Volt version)	2.2	3	3.6	VDC
I Supply Current (TX mode)		21		mA
I _s Current Consumption (standby mode)		< 1		µA
P _o RF Power Output		11		dBm
F XTAL Frequency		433.92		MHz
F Frequency Tolerance		+/- 20		KHz
Max Data Rate			50	Kbit/s
Power Up Time			1	Ms
T _{OP} Operating Temperature Range	-25		+80	°C

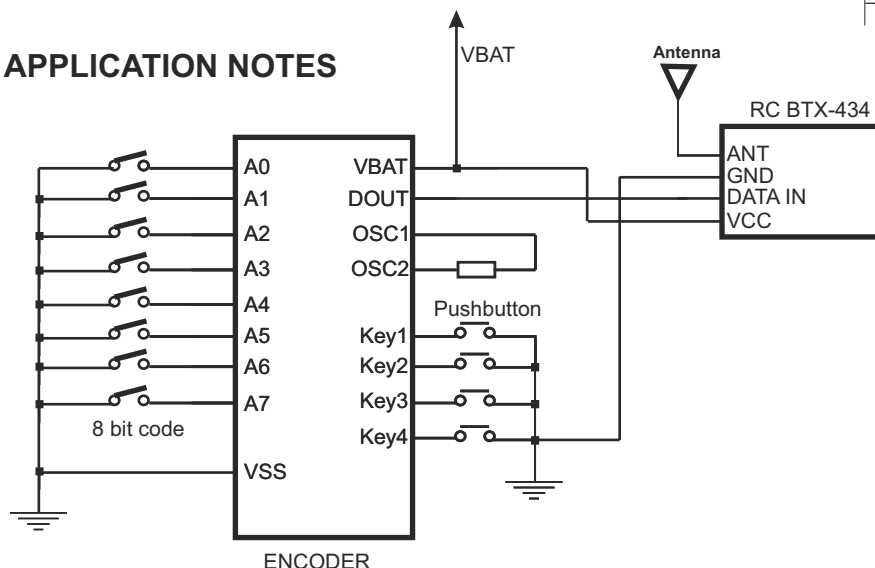
PIN OUT

Pads	Name	Description
1	GND	Ground
2	IN1	Data Input 1
3	IN2	Data Input 2
4	GND	Ground
11	ANT	Antenna
13	GND	Ground
15	VCC	VCC

Mechanical Dimensions



APPLICATION NOTES



Applications :

- Wireless security systems
- Home and building automation
- Automatic Measure Reading
- Wireless Sensor Network