

Technical specification:

Rated voltage: 30 V
 IEC 61076-2-101
 Current rating: 2 A at 40°C
 IEC 61076-2-101
 Insulation resistance: >=100 MΩ
 IEC 60512
 Pollution degree: 3/2
 IEC 60664-1
 Degree of protection: IP 67, in mated condition
 IEC 60529
 Temperature range: -30°C ... +85°C
 EN 60512-11-10
 -40°C ... +85°C
 EN 60512-11-4
 Mating cycles: >=100
 IEC 60512-9a

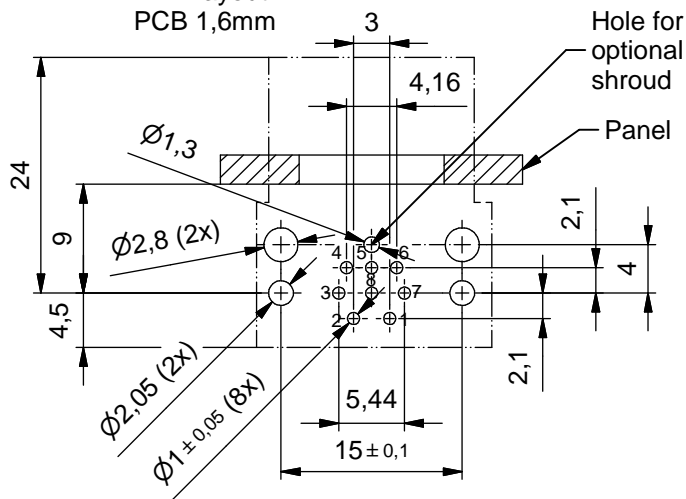
Materials:

Contact: CuZn, Ni b / Au 0,2 gal.
 Contact carrier: PA GF, UL 94 V-0
 Sealing: FPM / NBR
 Socket housing: CuZn, nickel plated
 Shroud: spring steel, nickel plated

Installation specification:

recommended torque: 0,8-1 Nm
 Conec installation tool: Torque wrench: 36-000200
 Insert across flats 14: 36-000370
 Insert across flats 15: 36-000320

Pin Layout PCB 1,6mm

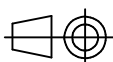


Part no:	Description:	Pos	Note:
43-02739	SAL - 12 - FKHW8	8	
43-02740	SAL - 12S - FKHW8	8	with shroud

DO NOT ALTER CAD DRAWING BY HAND

RoHS & REACH compliant

Index: a 11.05.16 fro Ä4884
 data sheet revised, width across flats was 15 ist 14



dim. in mm

	date	name
drawn	07.01.16	Böckeler
appd.	07.01.16	Fromm

general tolerance:
 0 ± 0,50mm
 0,0 ± 0,25mm
 0,00 ± 0,10mm
 * ± 1,5°



THIS DRAWING MAY NOT BE COPIED OR REPRODUCED IN ANY WAY, AND MAY NOT BE PASSED ON TO A THIRD PARTY WITHOUT WRITTEN PERMISSION. OWNERSHIP AND COPYRIGHT OF CONEC GmbH

title:

Female socket M12x1 angled, backmounting, dip solder

dwg no:

43K1A3071

part no:

see table