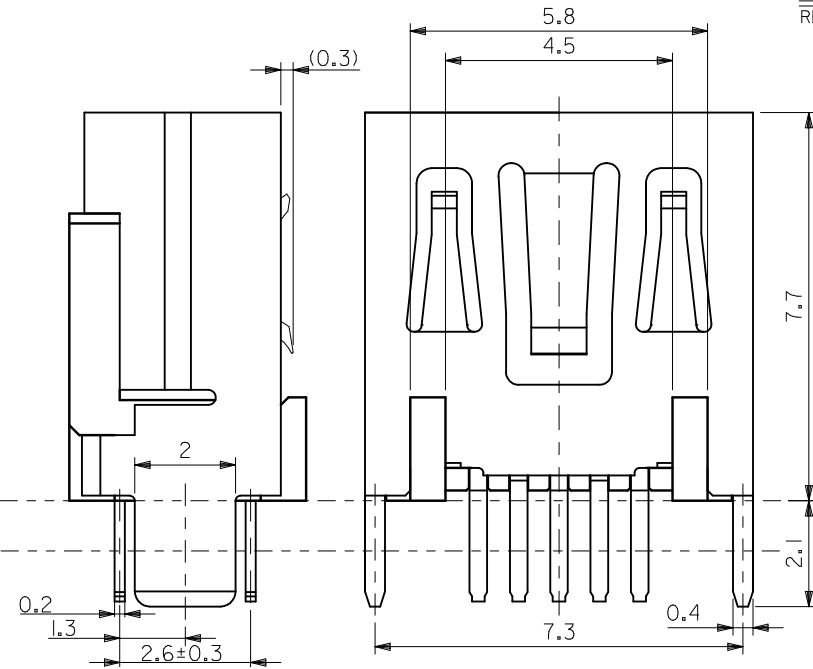
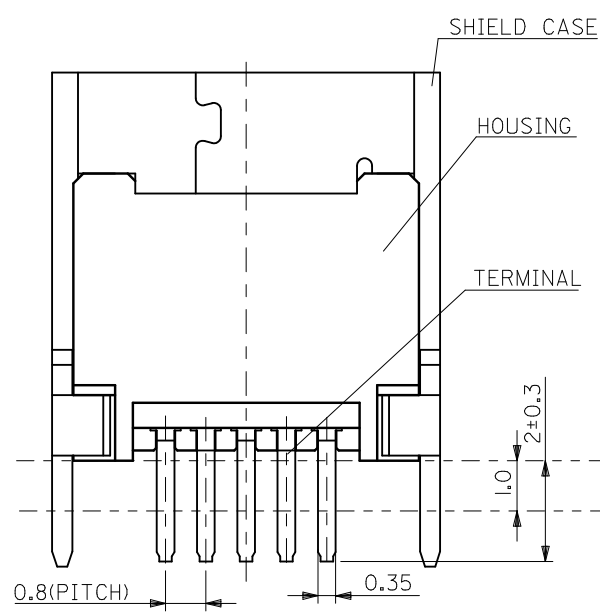


推奨基板寸法
RECOMMENDED P.C.B. PATTERN LAYOUT



- 注記
NOTES
- 材質
MATERIAL
ハウジング: ホリアミド, 黒色, UL94V-0
HOUSING: POLYAMIDE, BLACK, UL94V-0
ターミナル: 銅合金 (t=0.2)
TERMINAL: COPPER ALLOY (t=0.2)
シールド ケース: 銅合金 (t=0.4)
SHIELD CASE: COPPER ALLOY (t=0.4)
 - メッキ仕様
PLATING
ターミナル
TERMINAL
接点部: 金メッキ
CONTACT AREA: GOLD
半田付け部: 錫メッキ
SOLDER TAIL AREA: TIN
下地部: ニッケルメッキ
UNDER PLATING: NICKEL
シールド ケース: 錫メッキ
SHIELD CASE: TIN
下地部: ニッケルメッキ
UNDER PLATING: NICKEL
 - ELV AND RoHS COMPLIANT

500075-1517
TRAY PKG.
ORDER No./オーダー番号

REVISED EC NO.: J2011-1372 DRWN: KADONO CHKD: CHIKANO APPR: MYAGI	2011/04/18	2011/04/18	2011/04/18	DESCRIPTION GENERAL TOLERANCES (UNLESS SPECIFIED)	10 UNDER	±0.2	DIMENSION STYLE MM ONLY	DRAWN BY	DATE	SCALE 10:1	DESIGN UNITS METRIC	TITLE USB SERIES MINI-B STRAIGHT TYPE 2 REC ASSY -LEAD FREE-		
	10 OVER	30 UNDER	±0.25		MNABE I	'04/08/30								
	30 OVER		±0.3		KTOJO	'04/08/30								
	ANGULAR	±3 °			APPROVED BY	DATE								
				DRAFT WHERE APPLICABLE MUST REMAIN WITHIN DIMENSIONS			NUKITA	'04/08/30			MATERIAL NO.	DOCUMENT NO.	SHEET NO.	
							SEE TABLE					MOLEX INCORPORATED	SD-500075-008	1 OF 1
								THIS DRAWING CONTAINS INFORMATION THAT IS PROPRIETARY TO MOLEX INCORPORATED AND SHOULD NOT BE USED WITHOUT WRITTEN PERMISSION						