

NOTES:

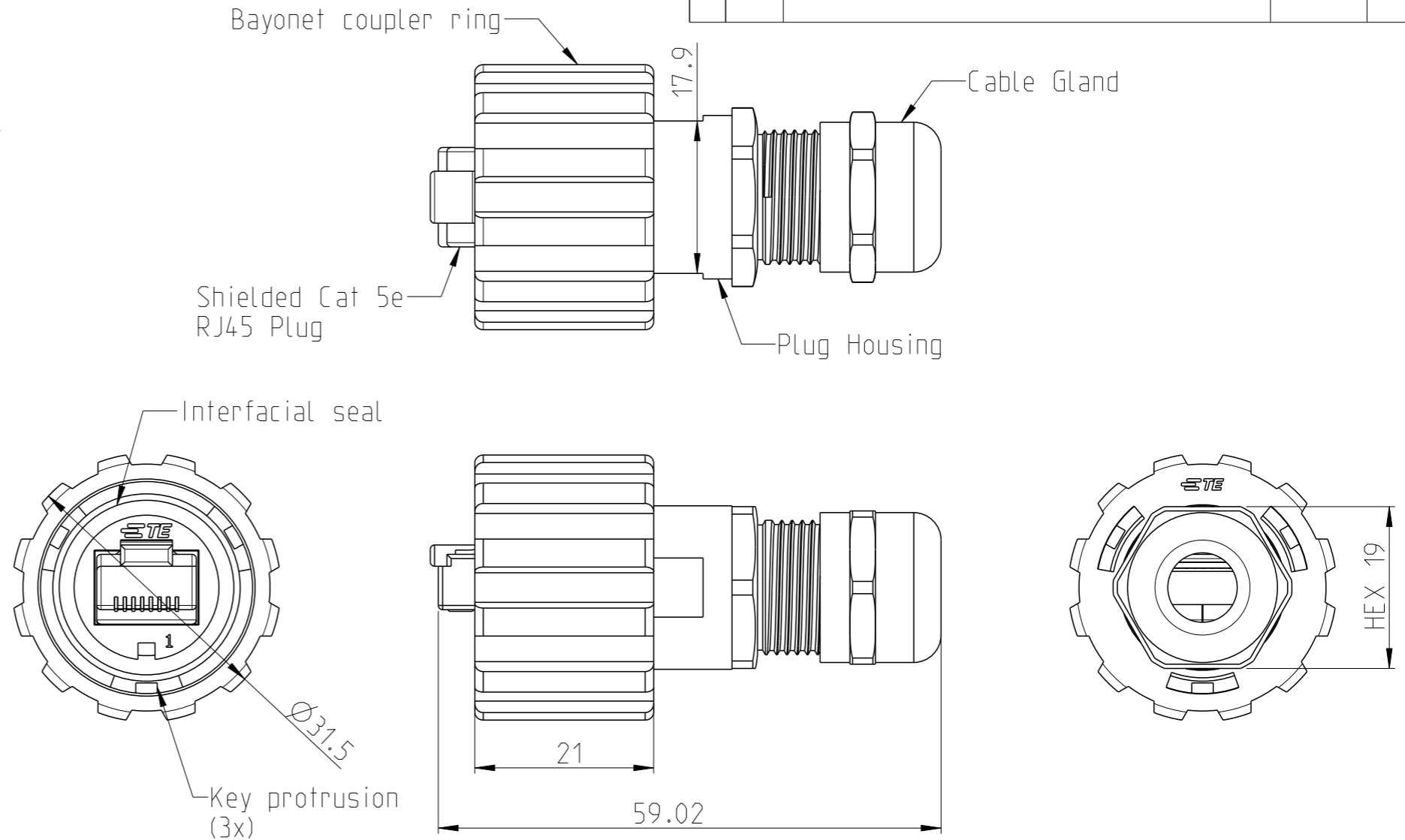
- 1. Electrical specifications:
 - Meets EIA/TIA-568-B.2 Cat 5e specification
 - Contact resistance: 20 mOhm max.
 - Insulation resistance: 500 MOhm min. @ 100 V DC
 - Current rating: 1.2 A max. at 25° C
 - Working voltage: 100 V DC
 - D W voltage: 1000 V DC/60 s contact to contact
: 1500 V DC/60 s contact to metal shell
 - Temperature range: -40°C to +80°C

- 2. Material And Finish:
 - Coupler ring: Zink die-cast, nickel plated
 - Plug housing: Zink die-cast, nickel plated
 - Interfacial seal: Silicone, transparent
 - Cable gland: Brass, nickel plated
 - Cable gland rubber ring: NBR, black
 - RJ45 Plug metal shell: Copper alloy, nickel plated
 - RJ45 Plug plastic housing: PC UL 94 V-2, clear
 - RJ45 Plug contact: Phosphor bronze, finish: min. 50µ" gold over nickel

- 3. IP67, rated when covered or fully mated with the appropriate mating connector
- 4. RJ45 Plug accepts both stranded and solid wire with outer diameter of 4.83mm to 6.73mm
- 5. Cable fitting accepts cable outer diameter range of 4.5mm to 8mm
- 6. RoHS compliant
- 7. Packaging Spec: 107-19763

- 8. Material And Finish:
 - Coupler ring: PBT UL 94 V-0, black
 - Plug housing: PBT UL 94 V-0, black
 - Interfacial seal: Silicone, transparent
 - Cable gland: PBT UL 94 V-0, black
 - Cable gland rubber ring: NBR, black
 - RJ45 Plug metal shell: Copper alloy, nickel plated
 - RJ45 Plug plastic housing: PC UL 94 V-2, clear
 - RJ45 Plug contact: Phosphor bronze, finish: min. 50µ" gold over nickel

REVISIONS					
P	LTR	DESCRIPTION	DATE	DWN	APVD
	A	INITIAL RELEASE	18NOV2019	SS	JK
	A1	CABLE GLAND MATERIAL CORRECTION: NOTE 8	10FEB2022	SS	KP



E81956	⚠8	2362760-2
E81956	⚠2	2362760-1
UL NO.	MATERIAL	TEPN

THIS DRAWING IS A CONTROLLED DOCUMENT.		DWN S SHARMA 18OCT2019	TE Connectivity														
DIMENSIONS: mm		CHK J. Krogt van der 18OCT2019															
TOLERANCES UNLESS OTHERWISE SPECIFIED:		APVD J.de BRULIN 18OCT2019	NAME RJ45 PLUG KIT SHIELDED CAT 5e RJ45 PLUG														
<table border="1"> <tr><td>0 PLC</td><td>±0.50</td></tr> <tr><td>1 PLC</td><td>±0.38</td></tr> <tr><td>2 PLC</td><td>±0.25</td></tr> <tr><td>3 PLC</td><td>±0.10</td></tr> <tr><td>4 PLC</td><td>±</td></tr> <tr><td>ANGLES</td><td>±3°</td></tr> </table>		0 PLC	±0.50	1 PLC	±0.38	2 PLC	±0.25	3 PLC	±0.10	4 PLC	±	ANGLES	±3°	PRODUCT SPEC -	APPLICATION SPEC 114-19162		
0 PLC	±0.50																
1 PLC	±0.38																
2 PLC	±0.25																
3 PLC	±0.10																
4 PLC	±																
ANGLES	±3°																
MATERIAL SEE TABLE		WEIGHT -	SIZE A3	CAGE CODE 00779	DRAWING NO C-2362760												
-		RESTRICTED CUSTOMER	SCALE 3:2	SHEET 1 OF 1	REV A1												