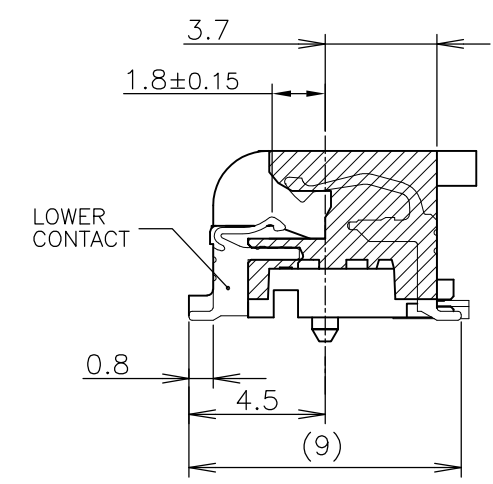
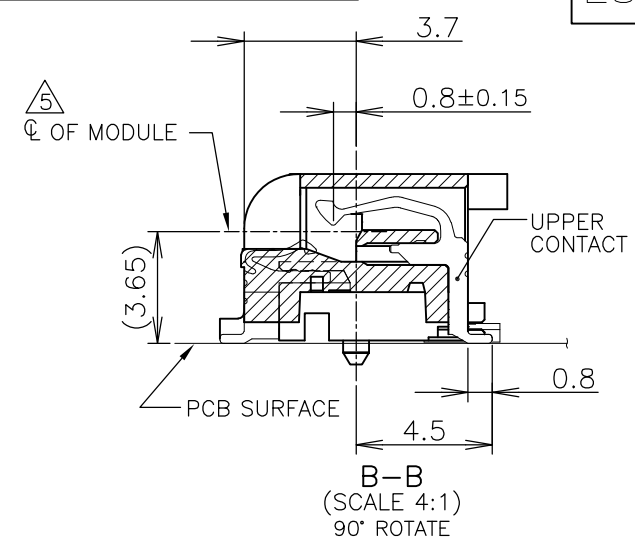


THIS DRAWING IS UNPUBLISHED. RELEASED FOR PUBLICATION MAR 2006.
 © COPYRIGHT 2005 By - ALL RIGHTS RESERVED.

LOC	DIST	REVISIONS			
P	LTR	DESCRIPTION	DATE	DWN	APVD
ES		C1 REVISED PRE ECR-11-008007	15APR2011	S.W	C.W

NOTE
 1. MATERIAL : HOUSING : HIGH TEMPERATURE THERMO PLASTIC UL94V-0
 COLOR:BLACK
 CONTACT : COPPER ALLOY
 SOLDER PEG : COPPER ALLOY
 2. FINISH : CONTACT : GOLD FLASH ON CONTACT AREA,
 ALL OVER NICKEL
 SOLDER PEG : TIN PLATE, ALL OVER NICKEL
 3. TOLERANCES NON-CUMMURATIVE
 4. [D] IS THE TOP SURFACE OF PCB.
 5. THE FLOATING VALUE BY SOLDERING IS NOT INCLUDED.



PCI-E MINI CARD CONNECTOR
 SIGNAL ASSIGNMENTS

PIN#	NAME	PIN#	NAME
51	Reserved	52	+3.3Vaux
49	Reserved	50	GND
47	Reserved	48	+1.5V
45	Reserved	46	LED_WPAN#
43	GND	44	LED_WLAN#
41	+3.3Vaux	42	LED_WWAN#
39	+3.3Vaux	40	GND
37	GND	38	USB_D+
35	GND	36	USB_D-
33	PETp0	34	GND
31	PETn0	32	SMB_DATA
29	GND	30	SMB_CLK
27	GND	28	+1.5V
25	PERp0	26	GND
23	PERn0	24	+3.3Vaux
21	GND	22	PERST#
19	Reserved* (UIM_C4)	20	W_DISABLE#
17	Reserved* (UIM_C8)	18	GND

mSATA CONNECTOR
 SIGNAL ASSIGNMENTS

PIN#	NAME	PIN#	NAME
51	Presence Detection	52	+3.3V
49	DA/DSS	50	GND
47	Vendor	48	+1.5V
45	Vendor	46	Reserved
43	No Connect	44	Reserved
41	+3.3V	42	Reserved
39	+3.3V	40	GND
37	GND	38	Reserved
35	GND	36	Reserved
33	+A	34	GND
31	-A	32	Two Wire Interface
29	GND	30	Two Wire Interface
27	GND	28	+1.5V
25	-B	26	GND
23	+B	24	+3.3V
21	GND	22	Reserved
19	Reserved	20	Reserved
17	Reserved	18	GND

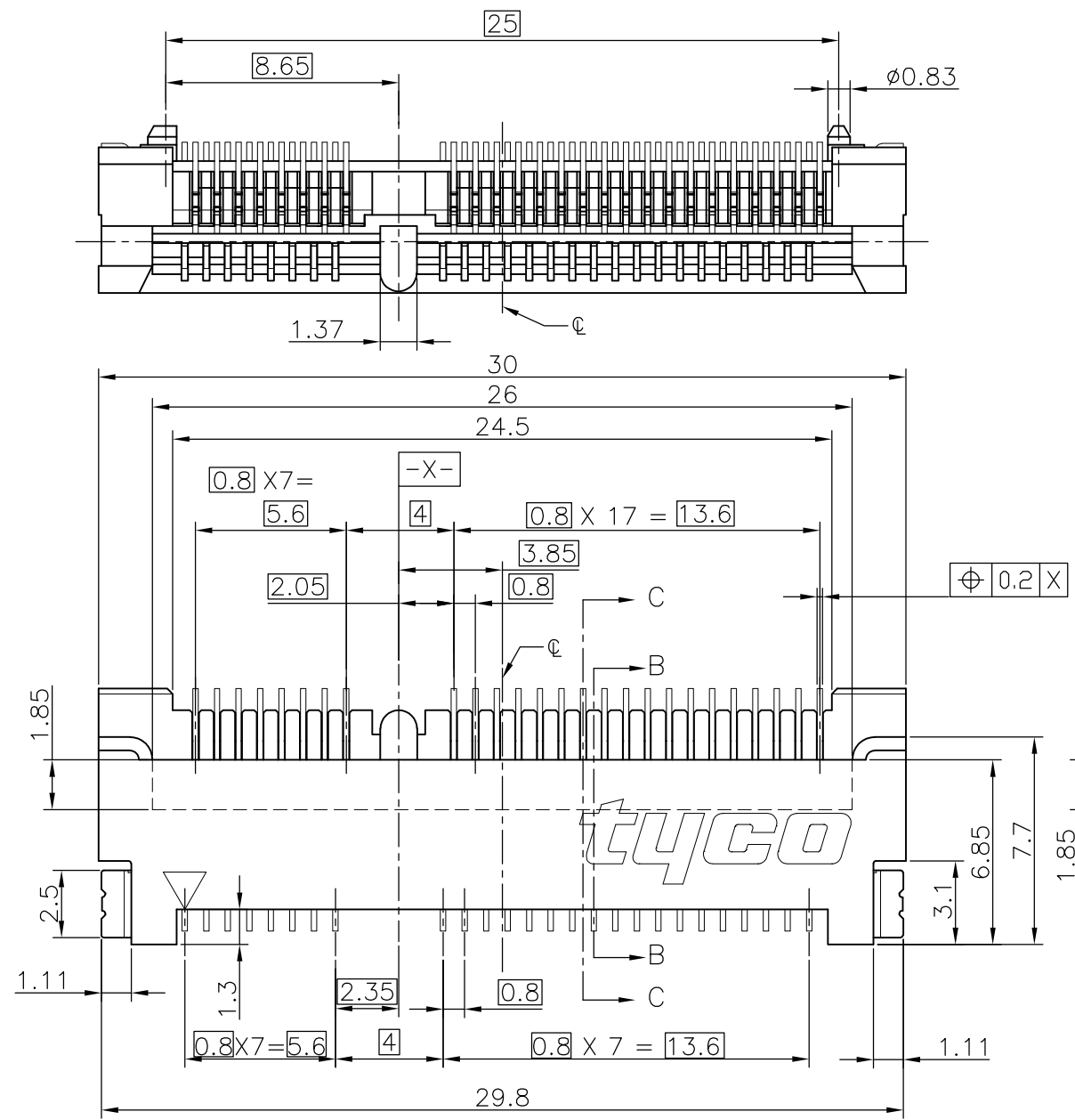
MECHANICAL KEY

PIN#	NAME	PIN#	NAME
15	GND	16	UIM_VPP
13	REFCLK+	14	UIM_RESET
11	REFCLK-	12	UIM_CLK
9	GND	10	UIM_DATA
7	CLKREQ#	8	UIM_PWR
5	COEX2	6	1.5V
3	COEX1	4	GND
1	WAKE#	2	3.3Vaux

* Reserved for future UIM interface (if needed)

MECHANICAL KEY

PIN#	NAME	PIN#	NAME
15	GND	16	Reserved
13	Reserved	14	Reserved
11	Reserved	12	Reserved
9	GND	10	Reserved
7	Reserved	8	Reserved
5	Reserved	6	+1.5V
3	Reserved	4	GND
1	Reserved	2	+3.3V



H5.6	292443-1
HEIGHT	PART NUMBER
TOLERANCES UNLESS OTHERWISE SPECIFIED	
10 ≥	±0.2
30 ≥	> 10 : ±0.25
100 ≥	> 30 : ±0.3
ANGLES ±3°	

THIS DRAWING IS A CONTROLLED DOCUMENT.

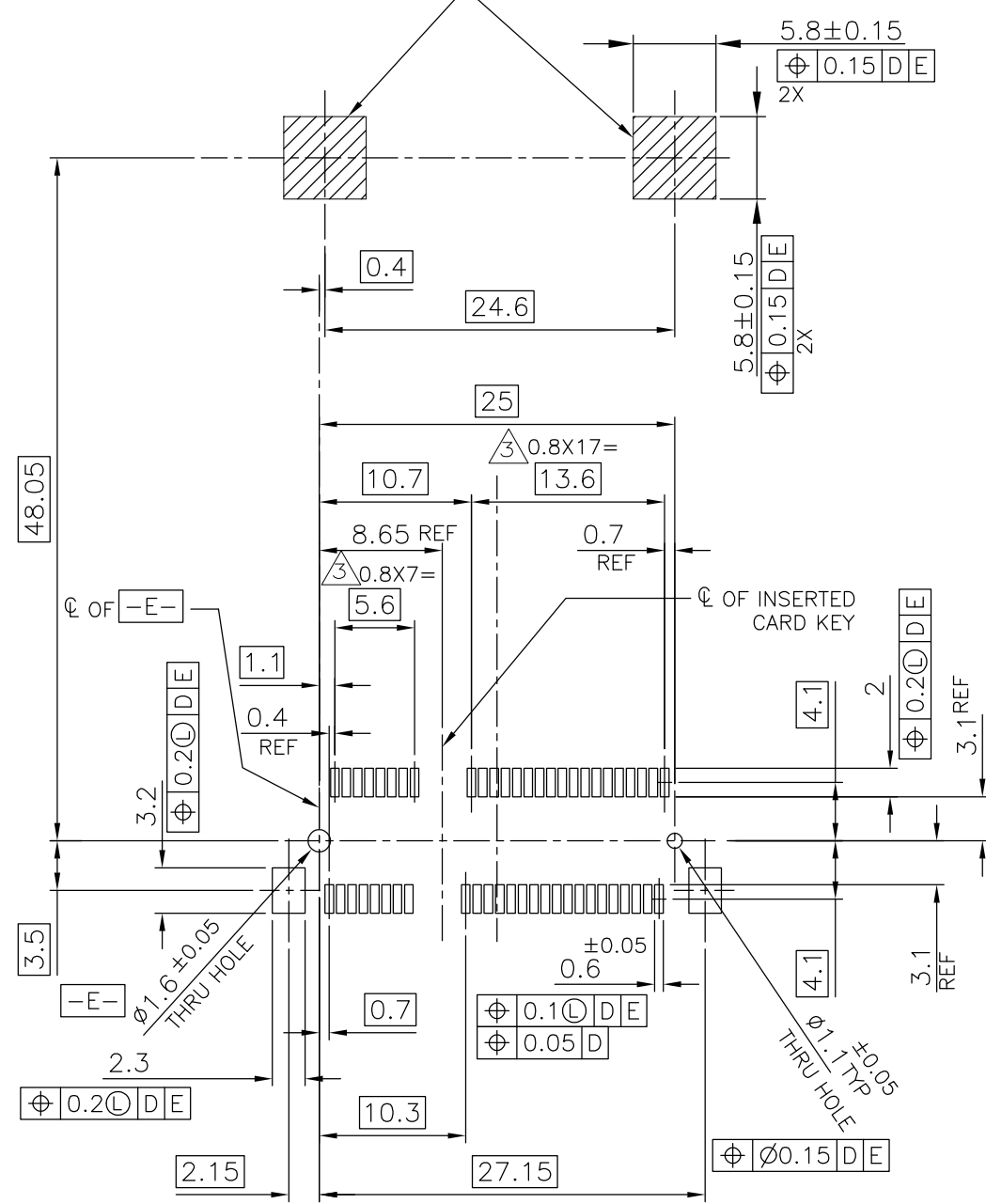
DIMENSIONS: MM	TOLERANCES UNLESS OTHERWISE SPECIFIED:
0 PLC	± -
1 PLC	± -
2 PLC	± -
3 PLC	± -
4 PLC	± -
ANGLES	± -
FINISH	± -
MATERIAL	SEE NOTE
SEE NOTE	SEE NOTE

DWN B.WONG 12APR06		2 IN 1 mSATA & PCI EXPRESS MINI CARD CONNECTOR ASSEMBLY (5.6H)	
CHK T.KAWAMAE 12APR06		NAME	
APVD S.YAO 12APR06		PRODUCT SPEC	
108-5899		APPLICATION SPEC	
WEIGHT	SIZE A3	CAGE CODE 00779	DRAWING NO C-292443
CUSTOMER DRAWING	SCALE 4:1	SHEET 1 OF 5	REV C1

THIS DRAWING IS UNPUBLISHED. RELEASED FOR PUBLICATION MAR 2006.
 © COPYRIGHT 2005 By - ALL RIGHTS RESERVED.

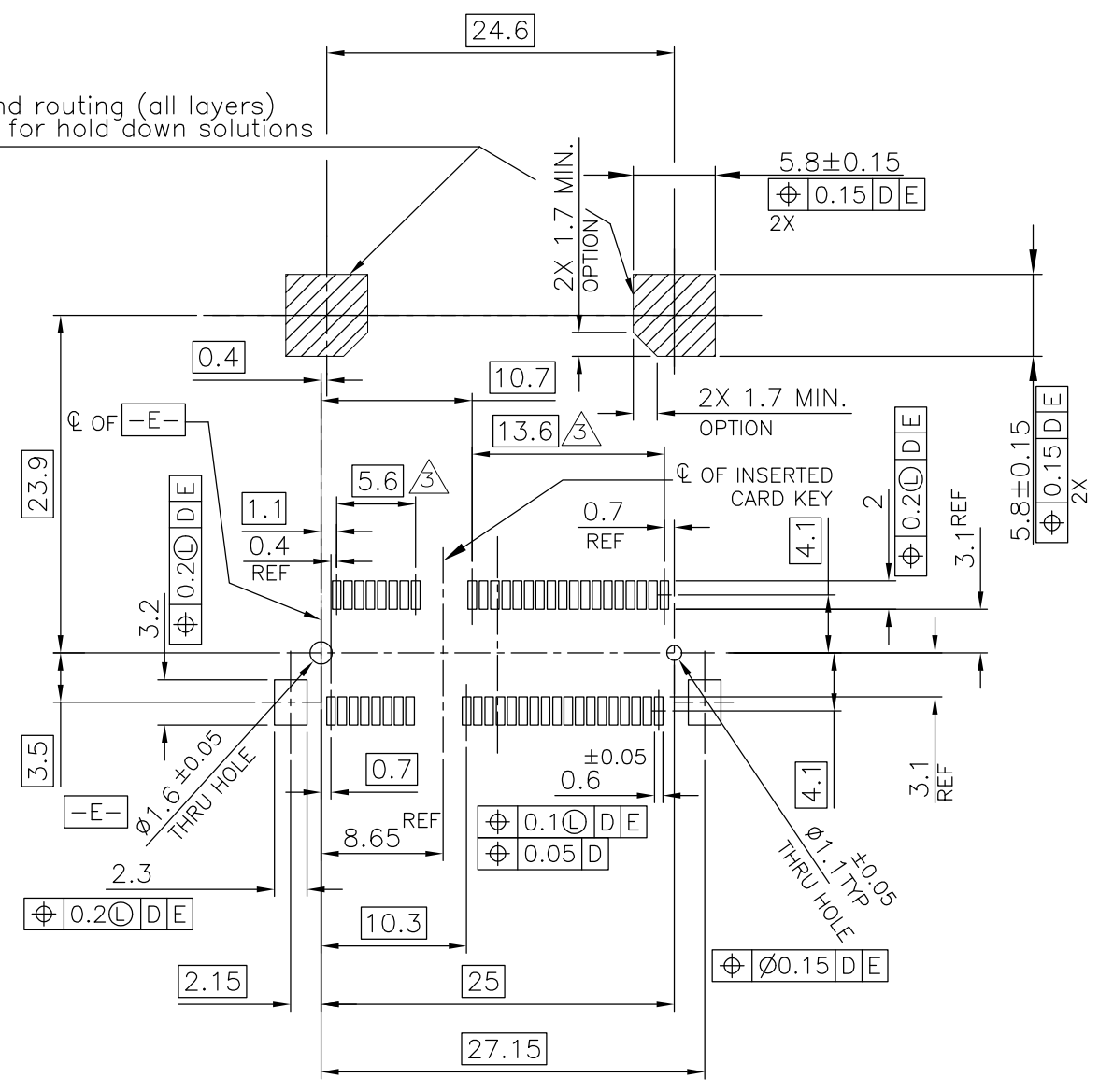
LOC	DIST	REVISIONS			
P	LTR	DESCRIPTION	DATE	DWN	APVD
ES		SEE SHEET 1	-	-	-

Component and routing (all layers)
keep out area for hold down solutions



REFERENTIAL P.C.BOARD LAYOUT
FOR FULL CARD CONNECTOR
(SCALE 2:1)

Component and routing (all layers)
keep out area for hold down solutions



REFERENTIAL P.C.BOARD LAYOUT
FOR HALF CARD CONNECTOR
(SCALE 2:1)

TOLERANCES UNLESS OTHERWISE SPECIFIED
 10 ≥ : ±0.2
 30 ≥ > 10 : ±0.25
 100 ≥ > 30 : ±0.3
 ANGLES ±3'

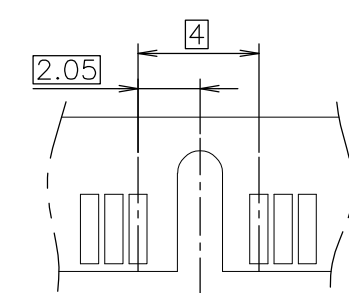
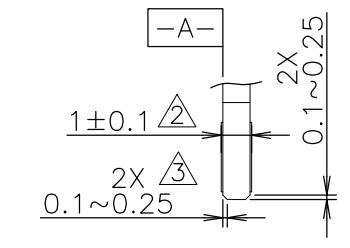
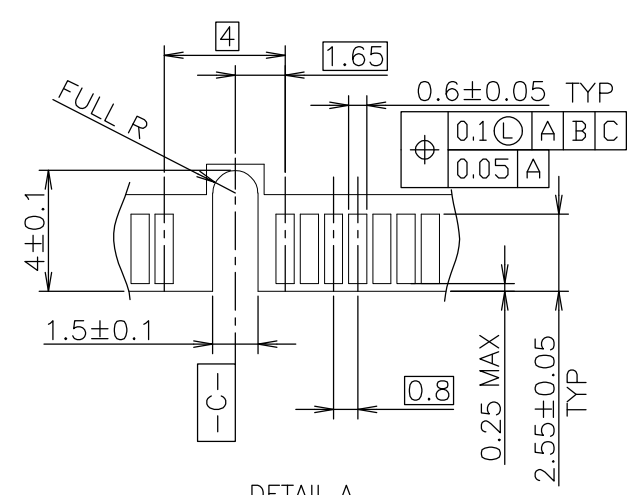
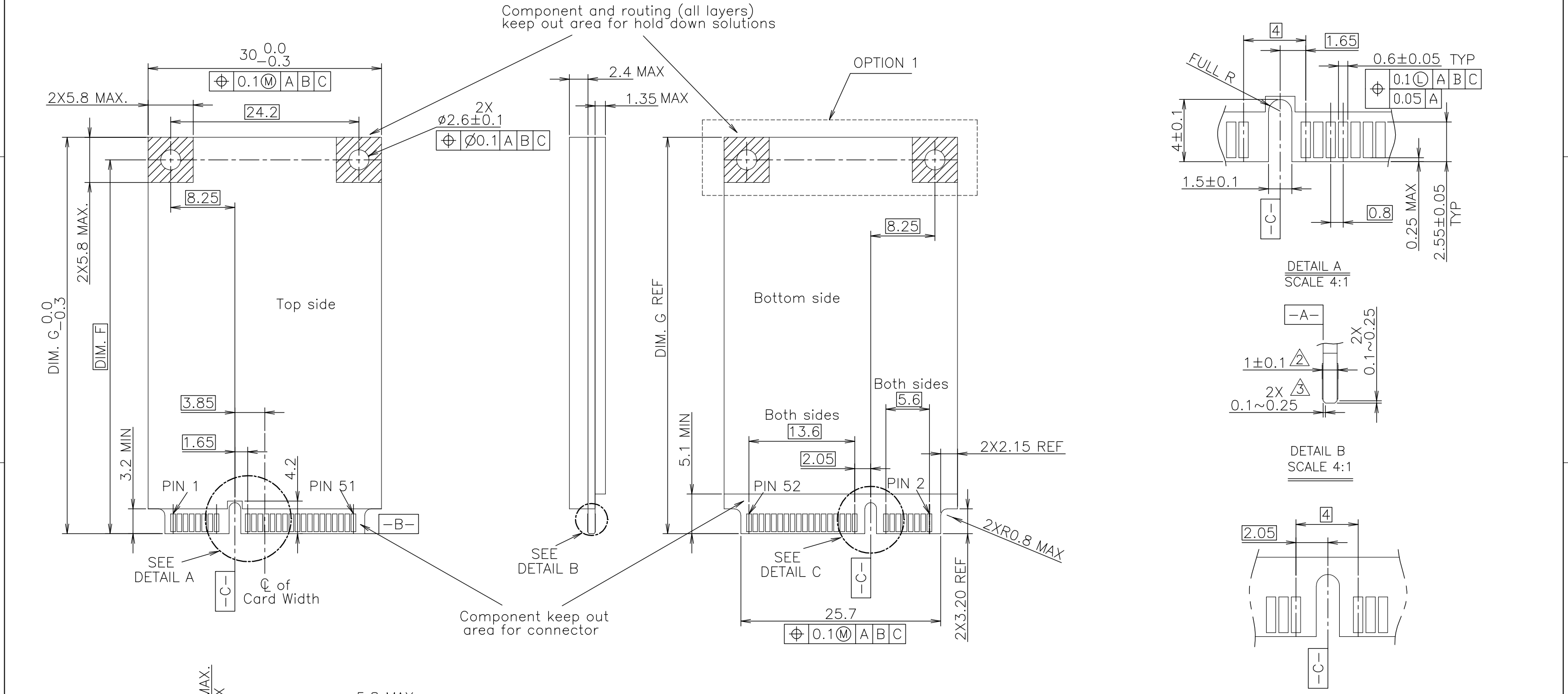
THIS DRAWING IS A CONTROLLED DOCUMENT.		DWN	-		
DIMENSIONS: MM		CHK	-		
TOLERANCES UNLESS OTHERWISE SPECIFIED:		APVD	-		
0 PLC ± -		PRODUCT SPEC	-		
1 PLC ± -		APPLICATION SPEC	-		
2 PLC ± -		WEIGHT	-		
3 PLC ± -		SIZE	A3	CAGE CODE	00779
4 PLC ± -		DRAWING NO	C-292443		
ANGLES ± -		RESTRICTED TO	-		
MATERIAL	SEE NOTE	FINISH	SEE NOTE		
CUSTOMER DRAWING		SCALE	4:1	SHEET	2 OF 5
		REV	C1		



2 IN 1 mSATA & PCI EXPRESS MINI CARD
CONNECTOR ASSEMBLY (5.6H)

THIS DRAWING IS UNPUBLISHED. RELEASED FOR PUBLICATION MAR 2006.
 © COPYRIGHT 2005 By - ALL RIGHTS RESERVED.

LOC	DIST	REVISIONS			
P	LTR	DESCRIPTION	DATE	DWN	APVD
ES		SEE SHEET 1	-	-	-



RECOMMENDED MATING P.C.B CONFIGURATION
 FOR PCI EXPRESS MINI CARD

DIM. F	DIM. G	
48.05	50.95	FULL-MINI CARD
23.9	26.8	HALF-MINI CARD

NOTES
 1. PCI EXPRESS MINI CARD, PCB THICKNESS 1.0mm.
 2. CARD THICKNESS APPLIES ACROSS TABS AND INCLUDES PLATING AND/OR METALIZATION.
 3. BEVEL MUST BE FREE OF CUTTING BURRS.

TOLERANCES UNLESS OTHERWISE SPECIFIED

10 ≥	±0.2
30 ≥	> 10 : ±0.25
100 ≥	> 30 : ±0.3
ANGLES ±3°	

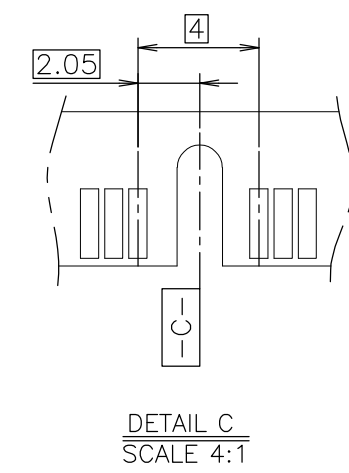
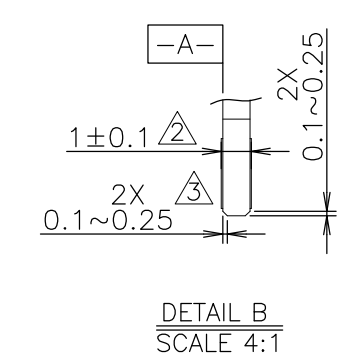
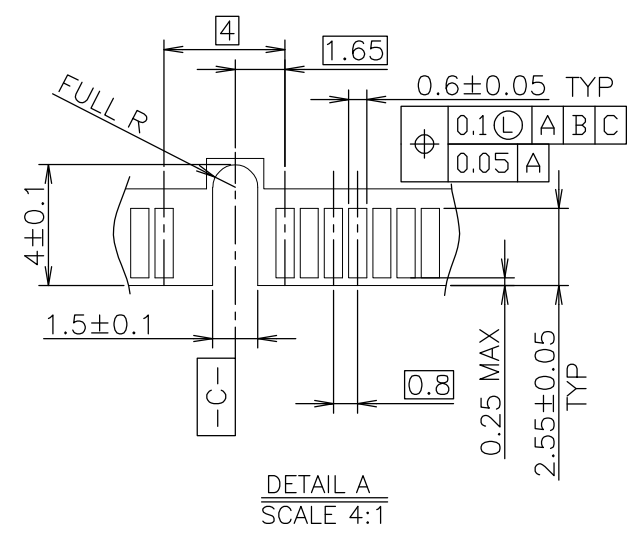
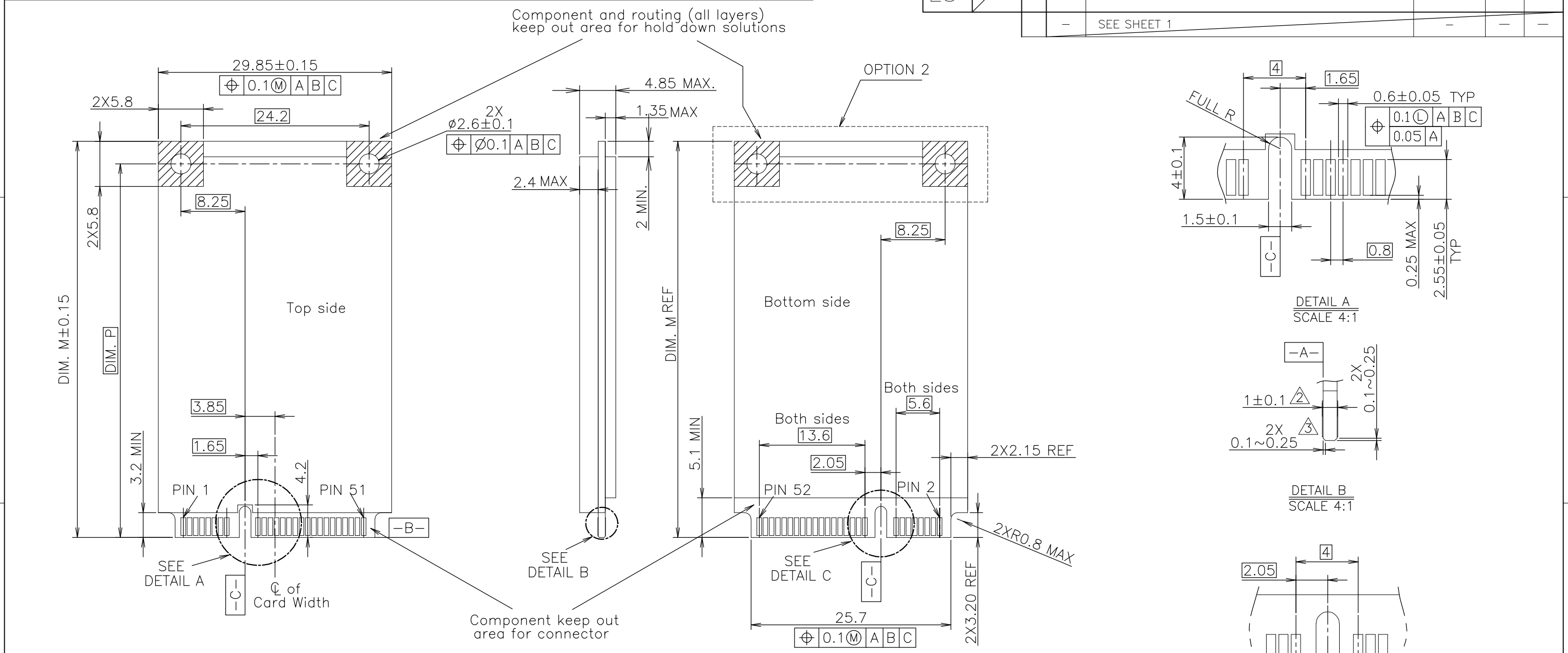
THIS DRAWING IS A CONTROLLED DOCUMENT.

DIMENSIONS: MM	TOLERANCES UNLESS OTHERWISE SPECIFIED:	DWN	TE Connectivity
0 PLC ± -	1 PLC ± -	CHK	NAME
2 PLC ± -	3 PLC ± -	APVD	2 IN 1 mSATA & PCI EXPRESS MINI CARD CONNECTOR ASSEMBLY (5.6H)
4 PLC ± -	ANGLES ± -	PRODUCT SPEC	SIZE
FINISH		APPLICATION SPEC	CAGE CODE
MATERIAL		WEIGHT	DRAWING NO
			RESTRICTED TO
			A3 00779 C-292443
			SCALE 2:1 SHEET 3 OF 5 REV C1

CUSTOMER DRAWING

THIS DRAWING IS UNPUBLISHED. RELEASED FOR PUBLICATION MAR 2006. ALL RIGHTS RESERVED.

LOC		DIST		REVISIONS					
ES				P	LTR	DESCRIPTION	DATE	DWN	APVD
				-	-	SEE SHEET 1	-	-	-



RECOMMENDED MATING P.C.B CONFIGURATION FOR mSATA

DIM. P	DIM. M	
48.05	50.8	FULL CARD
23.9	26.8	HALF CARD

NOTES
 1. mSATA CARD, PCB THICKNESS 1.0mm.
 2. CARD THICKNESS APPLIES ACROSS TABS AND INCLUDES PLATING AND/OR METALIZATION.
 3. BEVEL MUST BE FREE OF CUTTING BURRS.
 4. COMPONENT AND ROUTING (TOP/BOTTOM LAYER) KEEP OUT AREA FOR HOLD DOWN SOLUTIONS.

TOLERANCES UNLESS OTHERWISE SPECIFIED

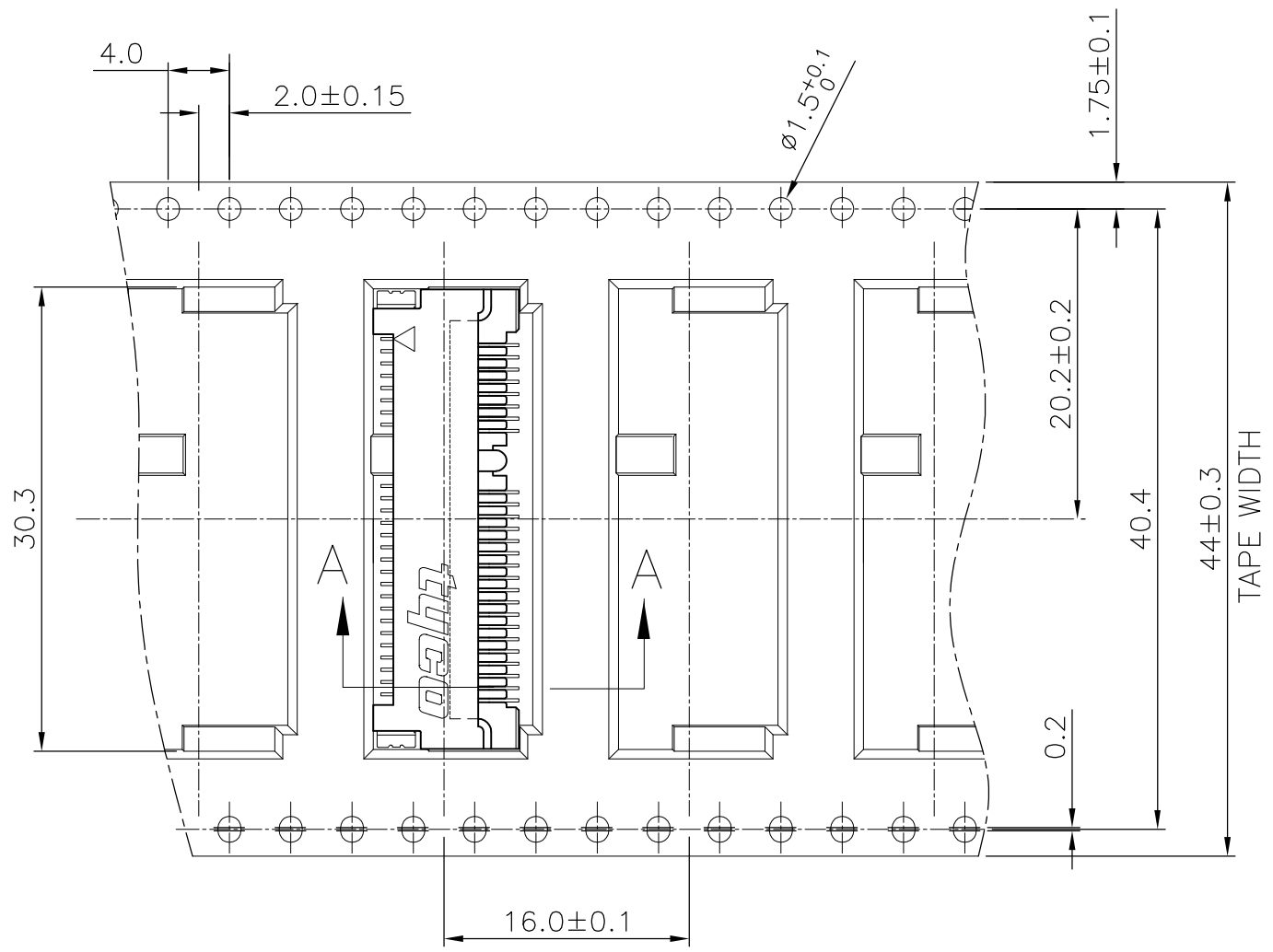
10 ≥	±0.2
30 ≥ > 10	±0.25
100 ≥ > 30	±0.3
ANGLES	±3°

THIS DRAWING IS A CONTROLLED DOCUMENT.

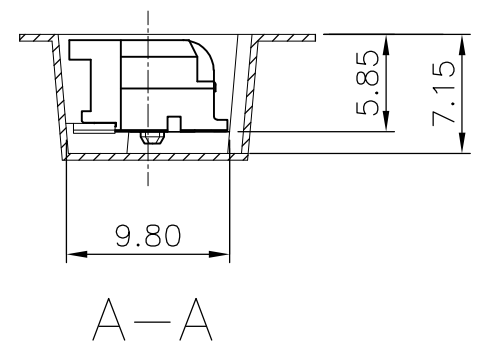
DIMENSIONS: MM	TOLERANCES UNLESS OTHERWISE SPECIFIED:	DWN	TE Connectivity
0 PLC ±	1 PLC ±	CHK	NAME
2 PLC ±	3 PLC ±	APVD	2 IN 1 mSATA & PCI EXPRESS MINI CARD CONNECTOR ASSEMBLY (5.6H)
4 PLC ±	ANGLES ±	PRODUCT SPEC	SIZE CAGE CODE DRAWING NO RESTRICTED TO
MATERIAL	FINISH	APPLICATION SPEC	A3 00779 C-292443
CUSTOMER DRAWING		WEIGHT	SCALE 2:1 SHEET 4 OF 5 REV C1

THIS DRAWING IS UNPUBLISHED. RELEASED FOR PUBLICATION MAR 2006.
 © COPYRIGHT 2005 By - ALL RIGHTS RESERVED.

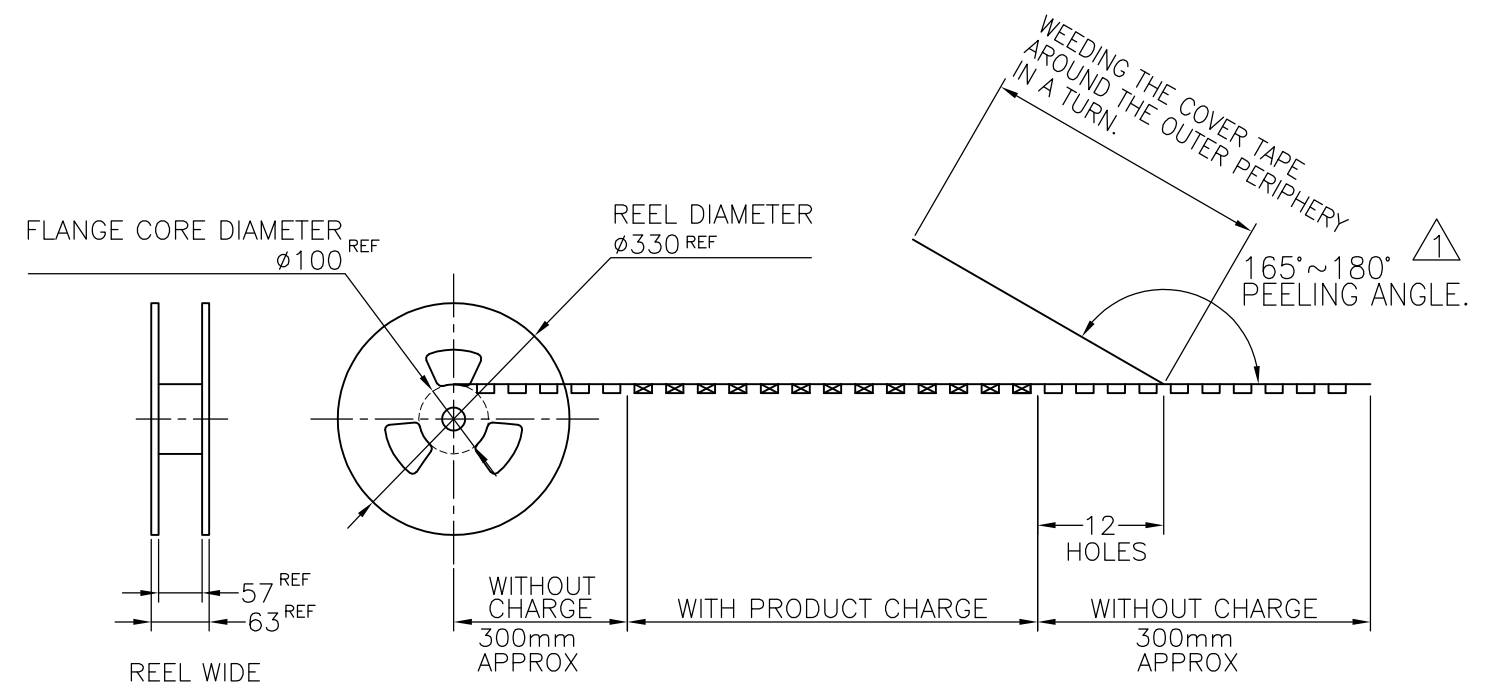
LOC	DIST	REVISIONS			
P	LTR	DESCRIPTION	DATE	DWN	APVD
ES		SEE SHEET 1	-	-	-



1 PEELING RESISTANCE : 0.1N~1.3N
 (10gf~130gf)
 SPEED : 300mm/min



TOP OF REEL →



450EA	2-292965-1	292443-1
QTY/REEL	EMBOSS TAPE P/N	P/N

THIS DRAWING IS A CONTROLLED DOCUMENT.		DWN	TE Connectivity 2 IN 1 mSATA & PCI EXPRESS MINI CARD CONNECTOR ASSEMBLY (5.6H)		
DIMENSIONS:	TOLERANCES UNLESS OTHERWISE SPECIFIED:	CHK			
MM	0 PLC ± -	APVD			
	1 PLC ± -	PRODUCT SPEC			
MATERIAL	2 PLC ± -	APVD	NAME	SIZE	CAGE CODE
	3 PLC ± -	PRODUCT SPEC	292443	A3	00779
	4 PLC ± -	APPLICATION SPEC	C=292443	DRAWING NO	RESTRICTED TO
	ANGLES ± -	WEIGHT	CUSTOMER DRAWING	SCALE	SHEET
	FINISH			NTS	5 OF 5
					REV
					C1