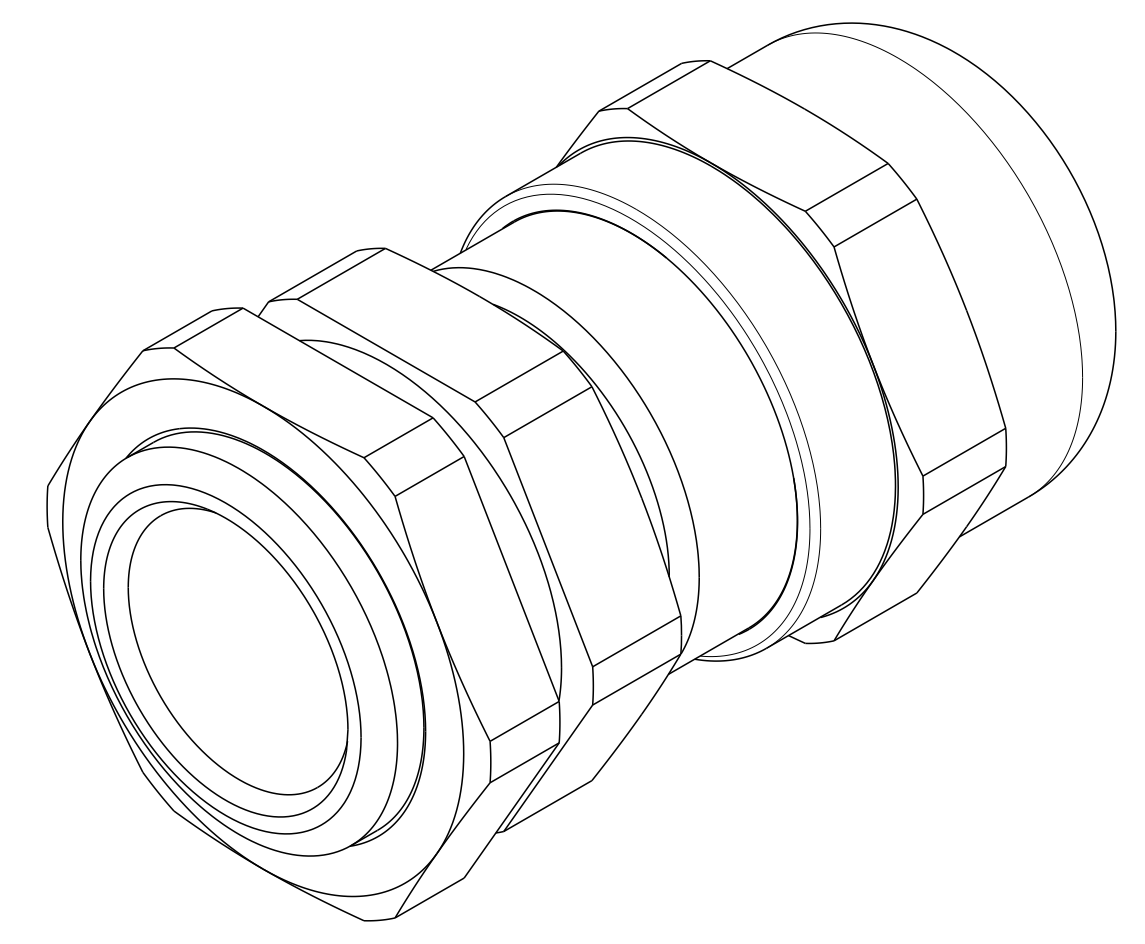
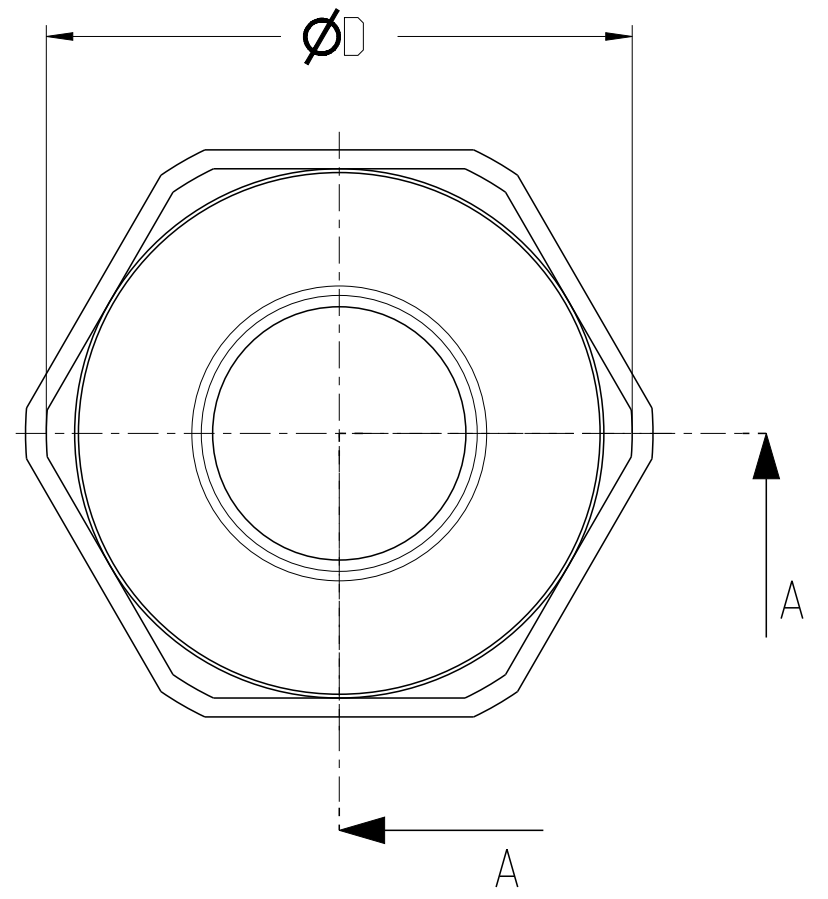
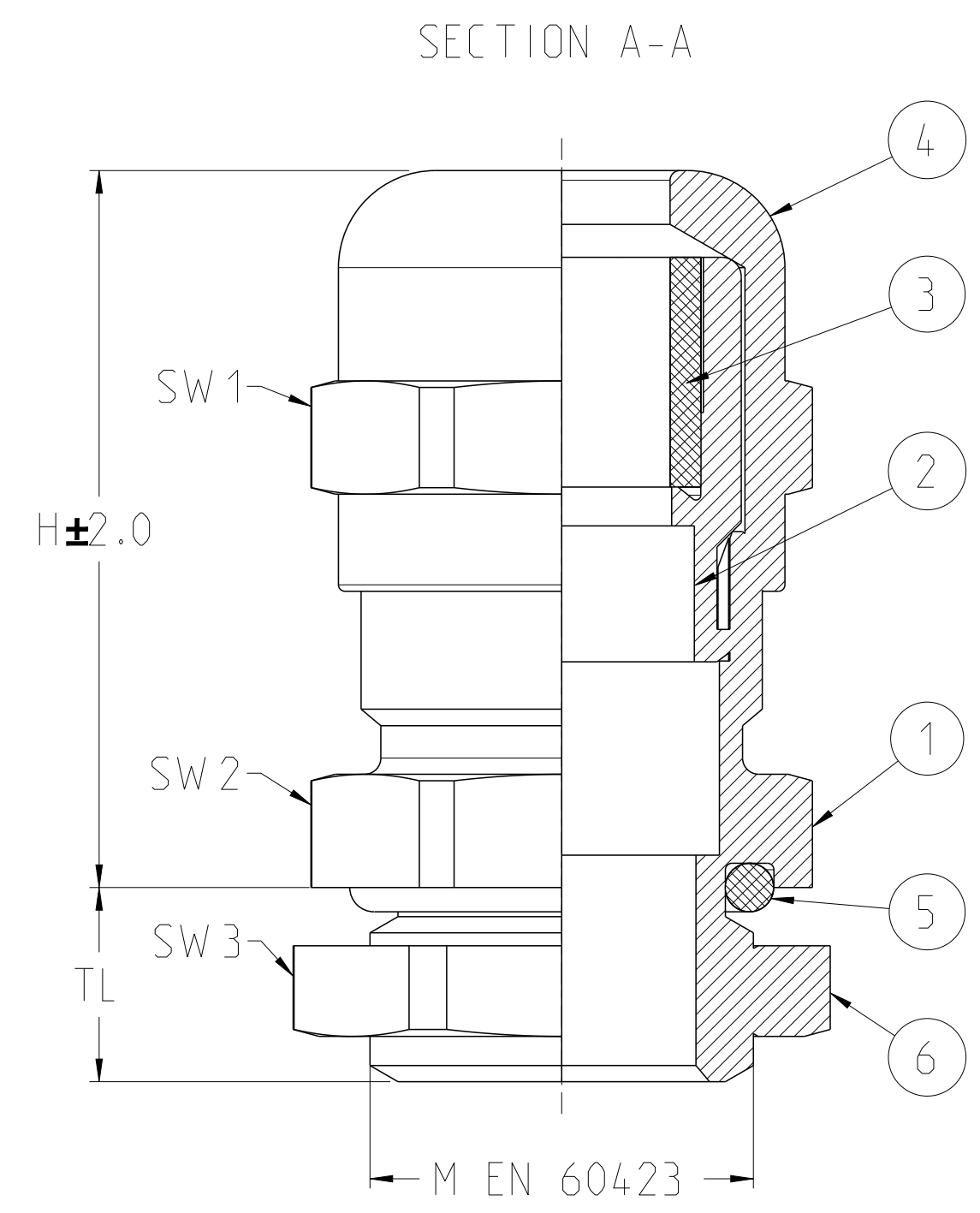


| REVISIONS | | | | |
|-----------|-----|------------------|-----------|-------|
| P | LTN | DESCRIPTION | DATE | APVD |
| A | | INITIAL REVISION | 22FEB2022 | KR RM |
| | | | | |
| | | | | |




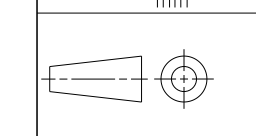
| TCPN | TE Product Type (Entrelec) | M EN 60423 | TL | H | ØD | SW 1 | SW 2 | SW 3 | Clamping Range Ø min - max |
|-----------------|----------------------------|------------|------|------|------|------|------|------|-------------------------------|
| 1SNG625001R0000 | EM-SGL-M16-MET-A | M16x1.5 | 7.0 | 23.3 | 20.0 | 17 | 18 | 19 | 2.0 - 6.0 |
| 1SNG625002R0000 | EM-SGL-M16-MET-B | M16x1.5 | 12.0 | 23.3 | 20.0 | 17 | 18 | 19 | 2.0 - 6.0 |
| 1SNG625003R0000 | EM-SGL-M16-MET-C | M16x1.5 | 7.0 | 27.9 | 22.0 | 20 | 20 | 19 | 3.0 - 7.0 |
| 1SNG625004R0000 | EM-SGL-M16-MET-D | M16x1.5 | 12.0 | 27.9 | 22.0 | 20 | 20 | 19 | 3.0 - 7.0 |
| 1SNG625005R0000 | EM-SGL-M16-MET-E | M16x1.5 | 7.0 | 23.3 | 20.0 | 17 | 18 | 19 | 4.0 - 8.0 |
| 1SNG625006R0000 | EM-SGL-M16-MET-F | M16x1.5 | 12.0 | 23.3 | 20.0 | 17 | 18 | 19 | 4.0 - 8.0 |
| 1SNG625007R0000 | EM-SGL-M16-MET-G | M16x1.5 | 6.5 | 29.4 | 22.0 | 20 | 20 | 19 | 5.0 - 10.0 |
| 1SNG625008R0000 | EM-SGL-M16-MET-H | M16x1.5 | 7.0 | 27.9 | 22.0 | 20 | 20 | 19 | 5.0 - 10.0 |
| 1SNG625009R0000 | EM-SGL-M16-MET-I | M16x1.5 | 12.0 | 29.4 | 22.0 | 20 | 20 | 19 | 5.0 - 10.0 |
| 1SNG625010R0000 | EM-SGL-M20-MET-A | M20x1.5 | 8.0 | 26.0 | 24.5 | 22 | 22 | 24 | 5.0 - 9.0 |
| 1SNG625011R0000 | EM-SGL-M20-MET-B | M20x1.5 | 12.0 | 26.0 | 24.5 | 22 | 22 | 24 | 5.0 - 9.0 |
| 1SNG625012R0000 | EM-SGL-M20-MET-C | M20x1.5 | 8.0 | 24.5 | 24.5 | 22 | 22 | 24 | 6.0 - 12.0 |
| 1SNG625013R0000 | EM-SGL-M20-MET-D | M20x1.5 | 12.0 | 24.4 | 24.5 | 22 | 22 | 24 | 6.0 - 12.0 |
| 1SNG625014R0000 | EM-SGL-M20-MET-E | M20x1.5 | 8.0 | 28.5 | 26.5 | 24 | 24 | 24 | 7.0 - 13.0 |
| 1SNG625015R0000 | EM-SGL-M20-MET-F | M20x1.5 | 8.0 | 28.0 | 26.5 | 24 | 24 | 24 | 10.0 - 14.0 |
| 1SNG625016R0000 | EM-SGL-M20-MET-G | M20x1.5 | 12.0 | 28.0 | 26.5 | 24 | 24 | 24 | 10.0 - 14.0 |
| 1SNG625017R0000 | EM-SGL-M25-MET-A | M25x1.5 | 8.0 | 28.0 | 30.0 | 24 | 27 | 30 | 7.0 - 12.0 |
| 1SNG625018R0000 | EM-SGL-M25-MET-B | M25x1.5 | 12.0 | 28.0 | 30.0 | 24 | 27 | 30 | 7.0 - 12.0 |
| 1SNG625019R0000 | EM-SGL-M25-MET-C | M25x1.5 | 8.0 | 28.0 | 33.0 | 30 | 30 | 30 | 9.0 - 16.0 |
| 1SNG625020R0000 | EM-SGL-M25-MET-D | M25x1.5 | 12.0 | 32.8 | 33.0 | 30 | 30 | 30 | 9.0 - 16.0 |

| RPT | QTY | DOC TITLE | DRAWING NUMBER | MATERIAL | COMMENTS |
|-----|-----|------------------|----------------|-----------------------|----------|
| 6 | 1 | LOCK NUT | - | Brass (Nickel plated) | - |
| 5 | 1 | O-RING | - | NBR | - |
| 4 | 1 | METAL GLAND CAP | - | Brass (Nickel plated) | - |
| 3 | 1 | SEAL | - | CR | - |
| 2 | 1 | PLASTIC INSERT | - | PA6 V2 | - |
| 1 | 1 | METAL GLAND BODY | - | Brass (Nickel plated) | - |

| | | | | | |
|---|-------------------|----------------------|------------------------------------|------------------|--------------------------------|
| THIS DRAWING IS A CONTROLLED DOCUMENT. | | DWN: Rajan, N. Kasli | 22FEB2022 | | M-STD-GLAND-BRASS-LN - |
| DIMENSIONS: mm | | CHK: Rafeeq, Mohd | 22FEB2022 | | |
| TOLERANCES UNLESS OTHERWISE SPECIFIED: | | APVD: Rafeeq, Mohd | 22FEB2022 | | |
| 0 PLC ± 1 PLC ± 2 PLC ± 3 PLC ± 4 PLC ± ANGLES ± | | NAME: - | PRODUCT SPEC: M-STD-GLAND-BRASS-LN | | |
| MATERIAL REF. TABLE | FINISH REF. TABLE | WEIGHT: - | SIZE: A1 | CAGE CODE: 00779 | DRAWING NO: ©=1SNP06134-1-0100 |
| CUSTOMER DRAWING | | | SCALE: 5:1 | SHEET: 1 of 2 | REV: A1 |

| REVISIONS | | | | |
|-----------|-----|------------------|-----------|-------|
| P | LTN | DESCRIPTION | DATE | APVD |
| A | | INITIAL REVISION | 22FEB2022 | KR RM |
| | | | | |
| | | | | |

| TCPN | TE Product Type (Entrelec) | M EN 60423 | TL | H | ∅D | SW 1 | SW 2 | SW 3 | Clamping Range ∅ min - max |
|-----------------|----------------------------|------------|------|------|------|------|------|------|----------------------------|
| 1SNG625021R0000 | EM-SGL-M25-MET-E | M25x1.5 | 8.0 | 28.0 | 30.0 | 24 | 27 | 30 | 10.0 - 14.0 |
| 1SNG625022R0000 | EM-SGL-M25-MET-F | M25x1.5 | 12.0 | 28.0 | 30.0 | 24 | 27 | 30 | 10.0 - 14.0 |
| 1SNG625023R0000 | EM-SGL-M25-MET-G | M25x1.5 | 8.0 | 30.6 | 30.0 | 27 | 27 | 30 | 11.0 - 17.0 |
| 1SNG625024R0000 | EM-SGL-M25-MET-H | M25x1.5 | 12.0 | 30.6 | 30.0 | 27 | 27 | 30 | 11.0 - 17.0 |
| 1SNG625025R0000 | EM-SGL-M25-MET-I | M25x1.5 | 8.0 | 32.8 | 33.0 | 30 | 30 | 30 | 13.0 - 18.0 |
| 1SNG625026R0000 | EM-SGL-M25-MET-J | M25x1.5 | 12.0 | 32.8 | 33.0 | 30 | 30 | 30 | 13.0 - 18.0 |
| 1SNG625027R0000 | EM-SGL-M32-MET-A | M32x1.5 | 9.0 | 32.8 | 37.5 | 30 | 34 | 36 | 9.0 - 16.0 |
| 1SNG625028R0000 | EM-SGL-M32-MET-B | M32x1.5 | 15.0 | 32.8 | 37.5 | 30 | 34 | 36 | 9.0 - 16.0 |
| 1SNG625029R0000 | EM-SGL-M32-MET-C | M32x1.5 | 9.0 | 44.1 | 44.5 | 40 | 40 | 36 | 12.0 - 20.0 |
| 1SNG625030R0000 | EM-SGL-M32-MET-D | M32x1.5 | 15.0 | 44.1 | 44.5 | 40 | 40 | 36 | 12.0 - 20.0 |
| 1SNG625031R0000 | EM-SGL-M32-MET-E | M32x1.5 | 9.0 | 32.8 | 37.5 | 30 | 34 | 36 | 13.0 - 18.0 |
| 1SNG625032R0000 | EM-SGL-M32-MET-F | M32x1.5 | 15.0 | 32.8 | 37.5 | 30 | 34 | 36 | 13.0 - 18.0 |
| 1SNG625033R0000 | EM-SGL-M32-MET-G | M32x1.5 | 8.0 | 36.2 | 37.5 | 34 | 34 | 36 | 15.0 - 21.0 |
| 1SNG625034R0000 | EM-SGL-M32-MET-H | M32x1.5 | 15.0 | 36.2 | 37.5 | 34 | 34 | 36 | 15.0 - 21.0 |
| 1SNG625035R0000 | EM-SGL-M32-MET-I | M32x1.5 | 9.0 | 44.2 | 44.5 | 40 | 40 | 36 | 18.0 - 25.0 |
| 1SNG625036R0000 | EM-SGL-M32-MET-J | M32x1.5 | 15.0 | 44.1 | 44.5 | 40 | 40 | 36 | 18.0 - 25.0 |
| 1SNG625037R0000 | EM-SGL-M40-MET-A | M40x1.5 | 9.0 | 38.6 | 48.5 | 40 | 43 | 46 | 12.0 - 20.0 |
| 1SNG625038R0000 | EM-SGL-M40-MET-B | M40x1.5 | 15.0 | 38.6 | 48.5 | 40 | 43 | 46 | 12.0 - 20.0 |
| 1SNG625039R0000 | EM-SGL-M40-MET-C | M40x1.5 | 9.0 | 38.6 | 48.5 | 40 | 43 | 46 | 18.0 - 25.0 |
| 1SNG625040R0000 | EM-SGL-M40-MET-D | M40x1.5 | 15.0 | 38.7 | 48.5 | 40 | 43 | 46 | 18.0 - 25.0 |
| 1SNG625041R0000 | EM-SGL-M40-MET-E | M40x1.5 | 9.0 | 43.3 | 48.5 | 43 | 43 | 46 | 16.0 - 23.0 |
| 1SNG625042R0000 | EM-SGL-M40-MET-F | M40x1.5 | 15.0 | 43.3 | 48.5 | 43 | 43 | 46 | 16.0 - 23.0 |
| 1SNG625043R0000 | EM-SGL-M40-MET-G | M40x1.5 | 9.0 | 43.3 | 48.5 | 43 | 43 | 46 | 19.0 - 28.0 |
| 1SNG625044R0000 | EM-SGL-M40-MET-H | M40x1.5 | 15.0 | 43.3 | 48.5 | 43 | 43 | 46 | 19.0 - 28.0 |
| 1SNG625045R0000 | EM-SGL-M40-MET-I | M40x1.5 | 9.0 | 52.5 | 55.5 | 50 | 50 | 46 | 22.0 - 32.0 |
| 1SNG625046R0000 | EM-SGL-M40-MET-J | M40x1.5 | 15.0 | 52.5 | 55.5 | 50 | 50 | 46 | 22.0 - 32.0 |

| | | | | | |
|---|-----|---|----------------|-------------------------------|----------|
| 6 | 1 | LOCK NUT | - | Brass (Nickel plated) | - |
| 5 | 1 | O-RING | - | NBR | - |
| 4 | 1 | METAL GLAND CAP | - | Brass (Nickel plated) | - |
| 3 | 1 | SEAL | - | CR | - |
| 2 | 1 | PLASTIC INSERT | - | PA6 V2 | - |
| 1 | 1 | METAL GLAND BODY | - | Brass (Nickel plated) | - |
| RPT | QTY | DOC TITLE | DRAWING NUMBER | MATERIAL | COMMENTS |
| THIS DRAWING IS A CONTROLLED DOCUMENT. | | OWN: Rajan, N. Kasli | 22FEB2022 | | |
| | | CHK: Rafeeq, Mohd | 22FEB2022 | | |
| | | APVD: Rafeeq, Mohd | 22FEB2022 | | |
| DIMENSIONS: mm | |  | | | |
|  | | TOLERANCES UNLESS OTHERWISE SPECIFIED: 0 PLC ± 1 PLC ± 2 PLC ± 3 PLC ± 4 PLC ± ANGLES ± | | | |
| MATERIAL REF. TABLE | | FINISH REF. TABLE | | WEIGHT | |
| | | | | A 00779 | |
| | | CUSTOMER DRAWING | | SCALE 5:1 SHEET 2 OF 2 REV A1 | |