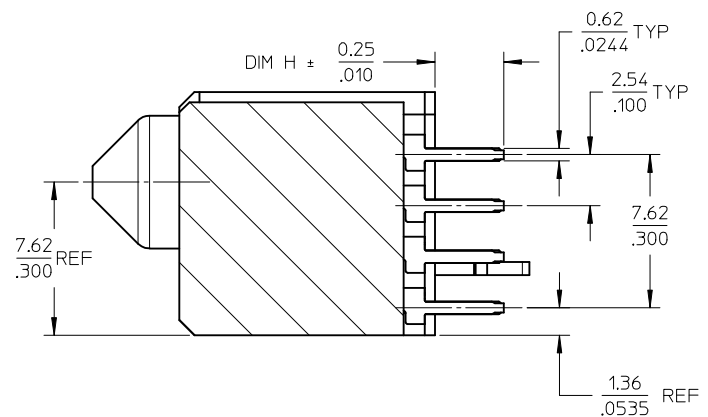
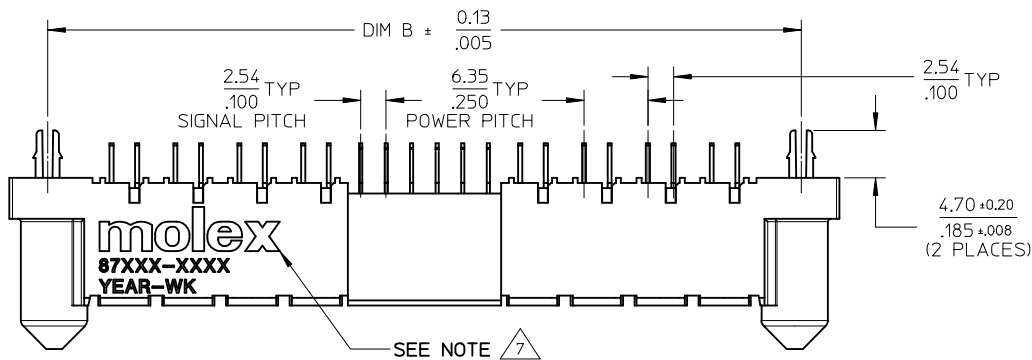
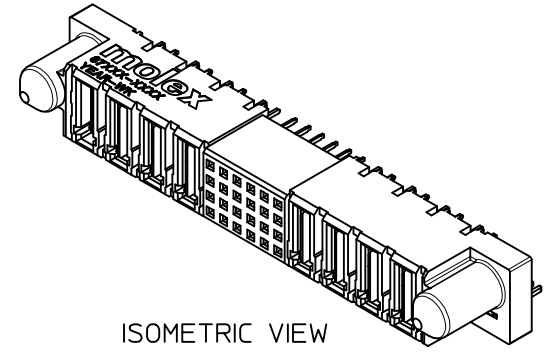
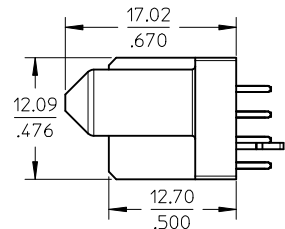
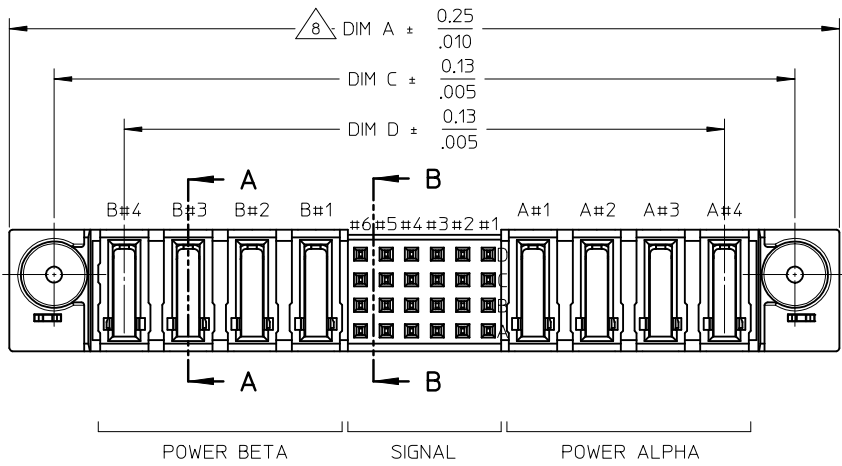


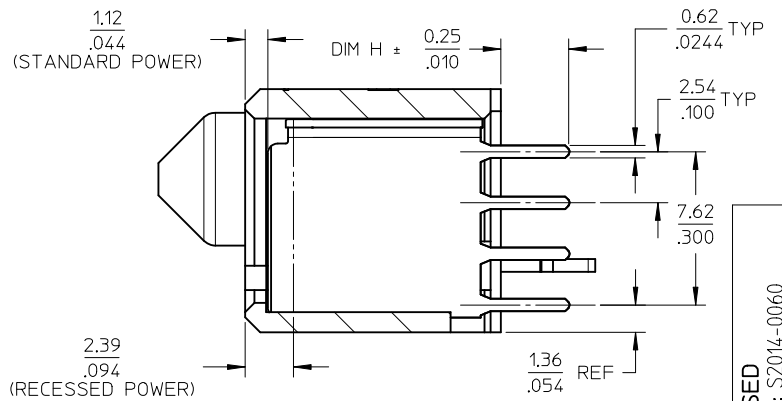
10 9 8 7 6 5 4 3 2 1



SECTION B-B



ISOMETRIC VIEW



SECTION A-A

REVISED EC NO: S2014-0060 DRW:SKANG CHKD:MLONG APPR:MLONG 2013/07/17 2013/09/06 2013/09/09	QUALITY SYMBOLS $\nabla_A = 0$ $\nabla_C = 0$ $\nabla_F = 0$	GENERAL TOLERANCES (UNLESS SPECIFIED)		DIMENSION STYLE MM ONLY		SCALE NTS	DESIGN UNITS METRIC	THIRD ANGLE PROJECTION	
		4 PLACES ± --- ± --- 3 PLACES ± --- ± --- 2 PLACES ± 0.13 ± --- 1 PLACE ± 0.25 ± --- 0 PLACE ± ±	mm INCH	DRAWN BY KMG0H	DATE 2002/11/20	TITLE POWER CONN. RECEPTACLE P-S-P CONFIGURATION VERTICAL T/H, W/G POST			
		ANGULAR ± 3 ° DRAFT WHERE APPLICABLE MUST REMAIN WITHIN DIMENSIONS	SEE TABLE	APPROVED BY SKTOH	DATE 2002/11/21	DOCUMENT NO. SD-87622-023			
	D1	SIZE A3	THIS DRAWING CONTAINS INFORMATION THAT IS PROPRIETARY TO MOLEX INCORPORATED AND SHOULD NOT BE USED WITHOUT WRITTEN PERMISSION				SHEET NO. 1 OF 3		

9 8 7 6 5 4 3 2 1

10 9 8 7 6 5 4 3 2 1

F

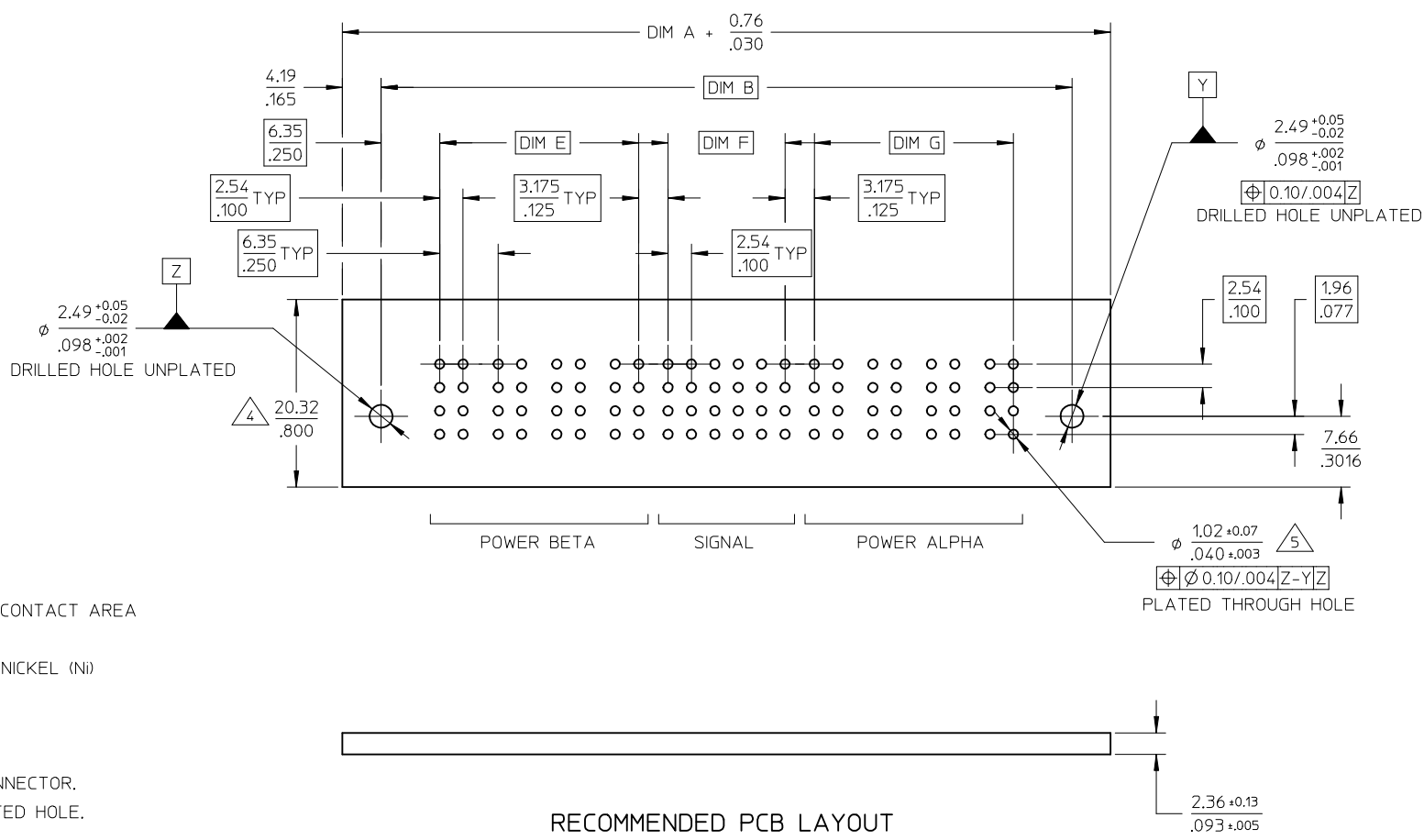
E

D

C

B

A



- NOTES
- 1 MATERIALS :
HOUSING - LCP, GLASS FILLED,
UL 94V-0, COLOR: BLACK.
SIGNAL TERMINAL - COPPER ALLOY
POWER TERMINAL - COPPER ALLOY
 - 2 FINISH :
SIGNAL & POWER CONTACTS
0.76 MICROMETER MINIMUM GOLD (Au) AT CONTACT AREA
AND 2.54 MICROMETER MINIMUM TIN AT
SOLDERTAIL AREA OVER 1.27um MINIMUM NICKEL (Ni)
UNDERPLATE.
 - 3 SPECIFICATIONS :
PRODUCT SPECIFICATION : PS-87631-006

- 4 COMPONENT STAY AWAY ZONE FROM CONNECTOR.
- 5 PCB NOTE FOR DIAMETER 1.02/.040 PLATED HOLE.
- DRILLED HOLE SIZE IS 1.151/.0453
- PLATED WITH 0.007/.0003 MINIMUM TIN
OVER 0.03/.001 TO 0.08/.003 COPPER PLATING TO ACHIEVE
1.02±0.08/.040±0.003 HOLE.
- 6 ALL TERMINAL TIPS ARE DESIGNED WITH EXPOSED BASE COPPER.
THIS IS CREATED BY FINAL CUTTING PROCESS AFTER PLATING.
- 7 MANUFACTURER LOGO, PART NUMBER AND YEAR-WEEK CODE.
- 8 4Pa-24S-4Pb CONFIGURATION IS SHOWN FOR ILLUSTRATION ONLY.
P-S-P CONFIGURATION IS AVAILABLE UP TO 203MM/8INCH.
PLEASE CONTACT MOLEX SALES PERSONNEL FOR OTHER
CONFIGURATION AND OPTION NEEDED.

REVISED EC NO: S2014-0060 DRWN:SKANG 2013/07/17 CHKD:MLONG 2013/09/06 APPR:MLONG 2013/09/09	QUALITY SYMBOLS F=0 F=0 F=0	GENERAL TOLERANCES (UNLESS SPECIFIED)		DIMENSION STYLE MM ONLY		SCALE NTS	DESIGN UNITS METRIC	THIRD ANGLE PROJECTION		
			mm	INCH	DRAWN BY KMG0H	DATE 2002/11/20	TITLE POWER CONN. RECEPTACLE P-S-P CONFIGURATION VERTICAL T/H, W/G POST			
		4 PLACES	± ---	± ---	CHECKED BY PTLIM	DATE 2002/11/21	molex			
		3 PLACES	± ---	± ---	APPROVED BY SKTOH	DATE 2002/11/21				
			ANGULAR ± 3 °		MATERIAL NO.	DOCUMENT NO.			SHEET NO.	
D1	REV	DRAFT WHERE APPLICABLE MUST REMAIN WITHIN DIMENSIONS		SEE TABLE		SD-87622-023			2 OF 3	
				THIS DRAWING CONTAINS INFORMATION THAT IS PROPRIETARY TO MOLEX INCORPORATED AND SHOULD NOT BE USED WITHOUT WRITTEN PERMISSION						

9 8 7 6 5 4 3 2 1

10	9	8	7	6	5	4	3	2	1			
										P-S-P CONFIGURATION		
PART NUMBER	POWER BETA	SIGNAL	POWER ALPHA	POWER CIRCUIT#	A	B	C	D	E	F	G	H ± 0.20 ± .008
87622-4000	5	24	3	NIL	82.54 3.250	74.93 2.950	73.65 2.900	59.69 2.350	27.94 1.100	12.70 .500	15.24 .600	3.43 .135
87622-4001	4	20	6	NIL	92.71 3.650	85.10 3.350	83.82 3.300	69.86 2.750	21.59 .850	10.16 .400	34.29 1.350	3.43 .135
87622-4002	4	24	4	NIL	82.54 3.250	74.93 2.950	73.65 2.900	59.69 2.350	21.59 .850	12.70 .500	21.59 .850	3.43 .135
87622-4003	3	24	3	NIL	69.84 2.750	62.23 2.450	60.95 2.400	46.99 1.850	15.24 .600	12.70 .500	15.24 .600	3.43 .135
87622-4004	2	24	2	NIL	57.15 2.250	49.53 1.950	48.26 1.900	34.29 1.350	8.89 .350	12.70 .500	8.89 .350	3.43 .135
87622-4009	4	20	4	NIL	80.00 3.150	72.39 2.850	71.11 2.800	57.15 2.250	21.59 .850	10.16 .400	21.59 .850	3.43 .135
87622-4011	2	24	2	B2.A2	57.15 2.250	49.53 1.950	48.26 1.900	34.29 1.350	8.89 .350	12.70 .500	8.89 .350	3.43 .135

TRAY

REVISED EC NO: S2014-0060 DRWN:SKANG 2013/07/17 CHKD:MLONG 2013/09/06 APPR:MLONG 2013/09/09	QUALITY SYMBOLS	GENERAL TOLERANCES (UNLESS SPECIFIED)	DIMENSION STYLE	SCALE	DESIGN UNITS	THIRD ANGLE PROJECTION
	$\nabla_A=0$ $\nabla_G=0$ $\nabla_F=0$	mm INCH 4 PLACES ± --- ± --- 3 PLACES ± --- ± --- 2 PLACES ± 0.13 ± --- 1 PLACE ± 0.25 ± --- 0 PLACE ± ±	MM ONLY	NTS	METRIC	
	DESCRIPTION	ANGULAR ± 3°	DRAWN BY	DATE	TITLE	
	DRAFT WHERE APPLICABLE MUST REMAIN WITHIN DIMENSIONS	SEE TABLE	DATE	DATE	POWER CONN. RECEPTACLE P-S-P CONFIGURATION VERTICAL T/H, W/G POST	
	D1	SIZE A3	DATE	DATE	molex MATERIAL NO. DOCUMENT NO. SHEET NO.	