

DO NOT SCALE DRAWING DIMENSION IN METRIC

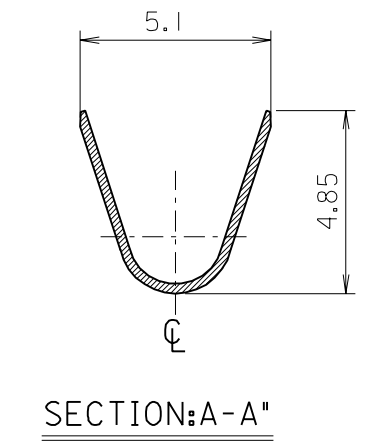
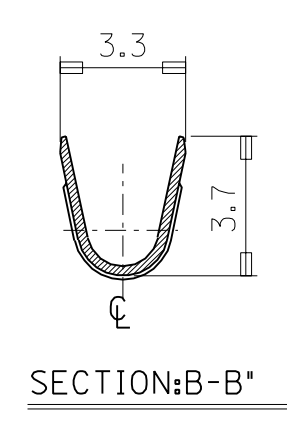
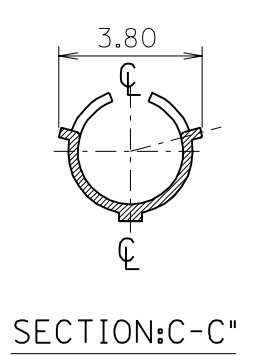
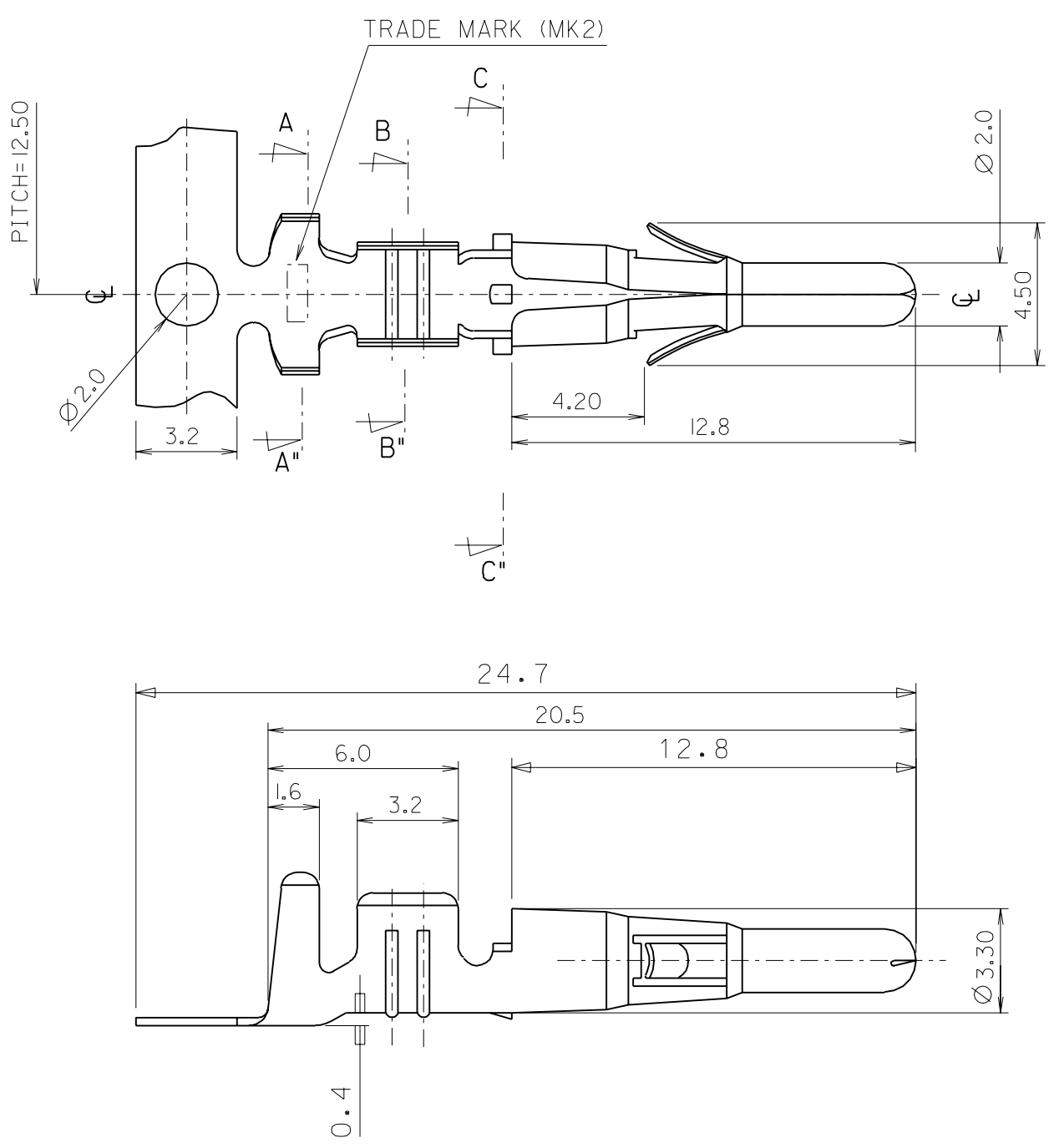
DWG. NO. SD-35727-001

SIMILAR ITEM

PROJECT NO.

C

B



- NOTES**
1. MATERIAL: BRASS THICKNESS:0.25
 2. FINISH: PRE-TIN PLATING
 3. APPLICABLE HOUSING: Ø2.0 RECEPTACLE HOUSING
(35141-**01, 35142-**01) * MEANS CIRCUIT NO.
 4. MATING TERMINAL: Ø2.0 SOCKET TERMINAL 35728-0201
 5. APPLICABLE WIRE RANGE: AWG #20-#14, 1.9-3.4mm INSUL.DIA.

REVISED EC NO. KOR 1999-0120 DRWN: H.C.RHO 99/12/29 CHK: CHK: APPR: APPR:	DESCRIPTION	QUALITY SYMBOLS MAJOR = 3 CRITICAL = 1	GENERAL TOLERANCES: (UNLESS SPECIFIED)		SCALE 5:1	DESIGN UNITS <input checked="" type="checkbox"/> mm <input type="checkbox"/> INCH	THIRD ANGLE PROJECTION	DIMENSIONS: <input type="checkbox"/> mm <input type="checkbox"/> INCH <input checked="" type="checkbox"/> mm ONLY		SHT	REV
			mm	INCH	DRAWN BY & DATE W.Y.YANG 92/03/04	TITLE: 2.0 DIA PIN TERMINAL				REVISE ON CAD ONLY	
			4 PLACES ±0.	±.	CHECKED BY & DATE B.K.CHOI 92/03/04		MOLEX INCORPORATED KOREA				
			3 PLACES ±0.	±.	APPROVED BY & DATE C.W.LEE 92/03/04						
			2 PLACES ±0.25	±.	CAD FILENAME E7270201.DGN		MATERIAL NO. SEE CHART	DRAWING NO. SD-35727-001	SHEET NO. 10F1		
			1 PLACE ±0.25	±.	ANGULAR: ± 3°		THIS DRAWING CONTAINS INFORMATION THAT IS PROPRIETARY TO MOLEX INCORPORATED AND SHOULD NOT BE USED WITHOUT WRITTEN PERMISSION.				SIZE B
MATERIAL NO. 357270201	ENG. NO. 35727-0201	REV C	DRAFT WHERE APPLICABLE MUST REMAIN WITHIN DIMENSIONS								