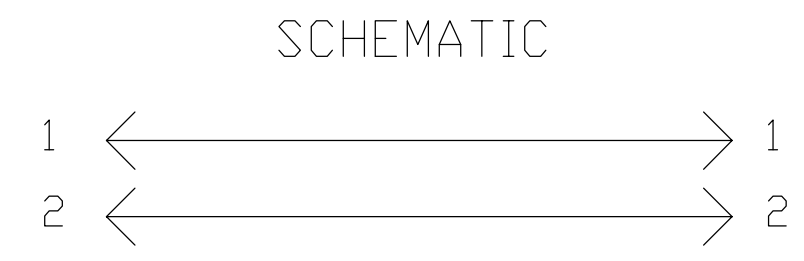
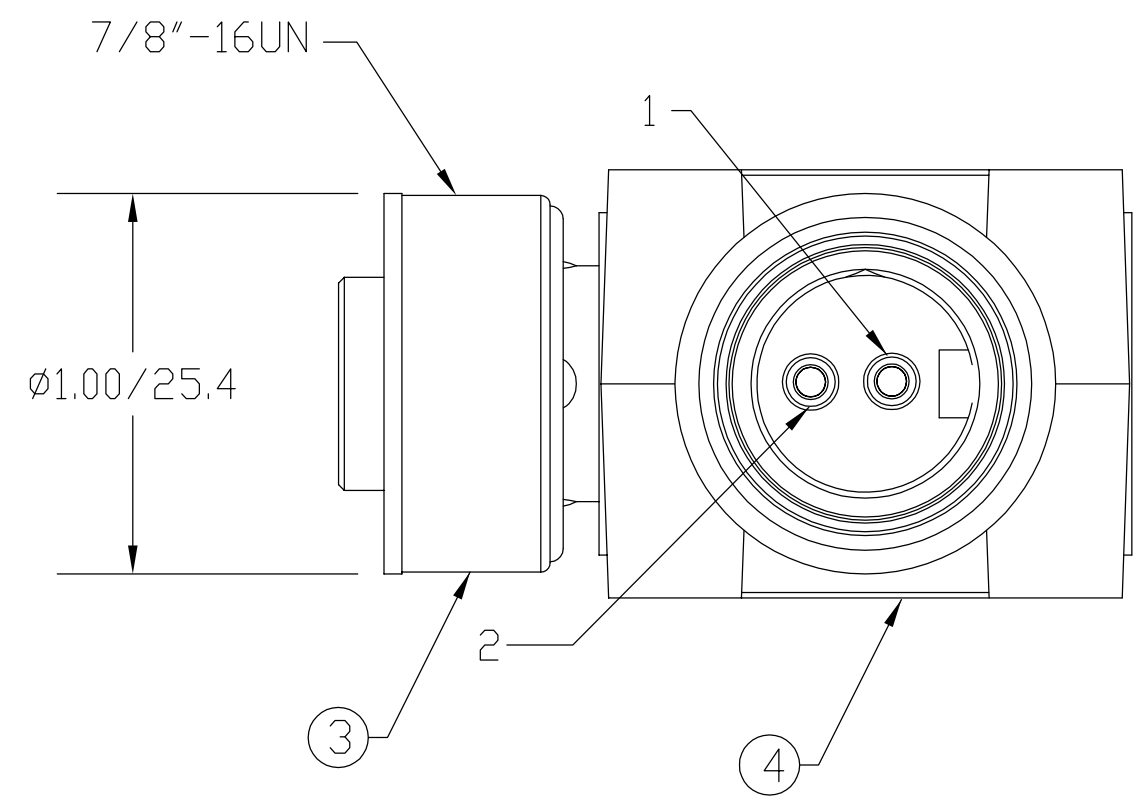
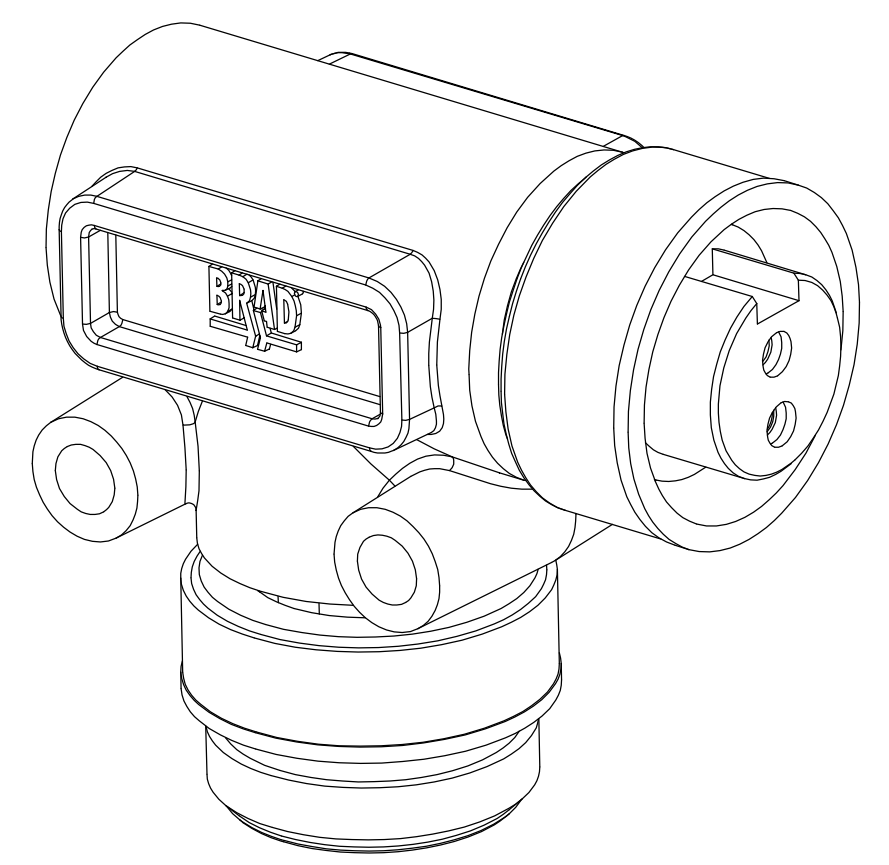
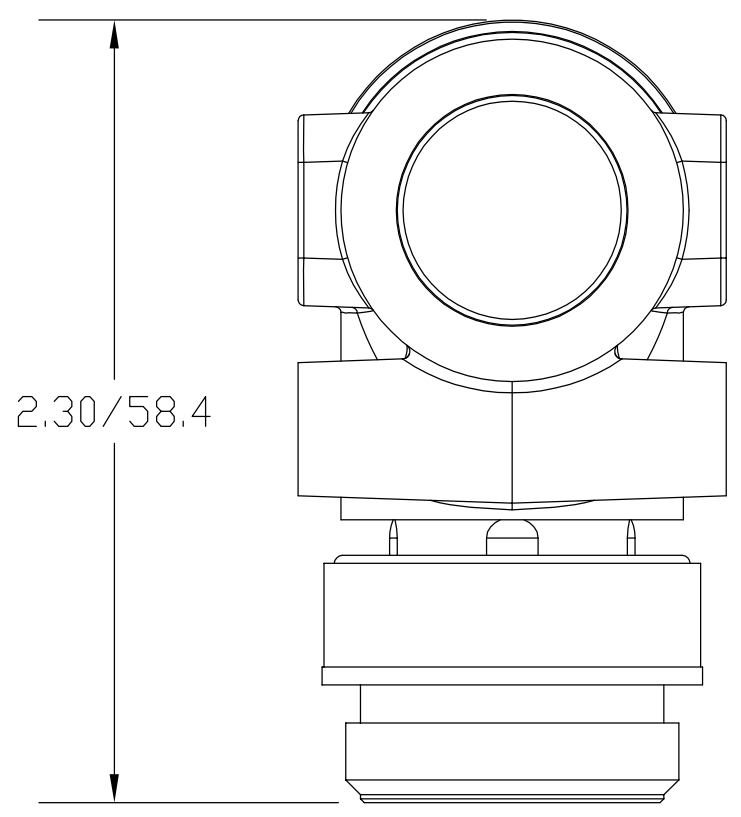
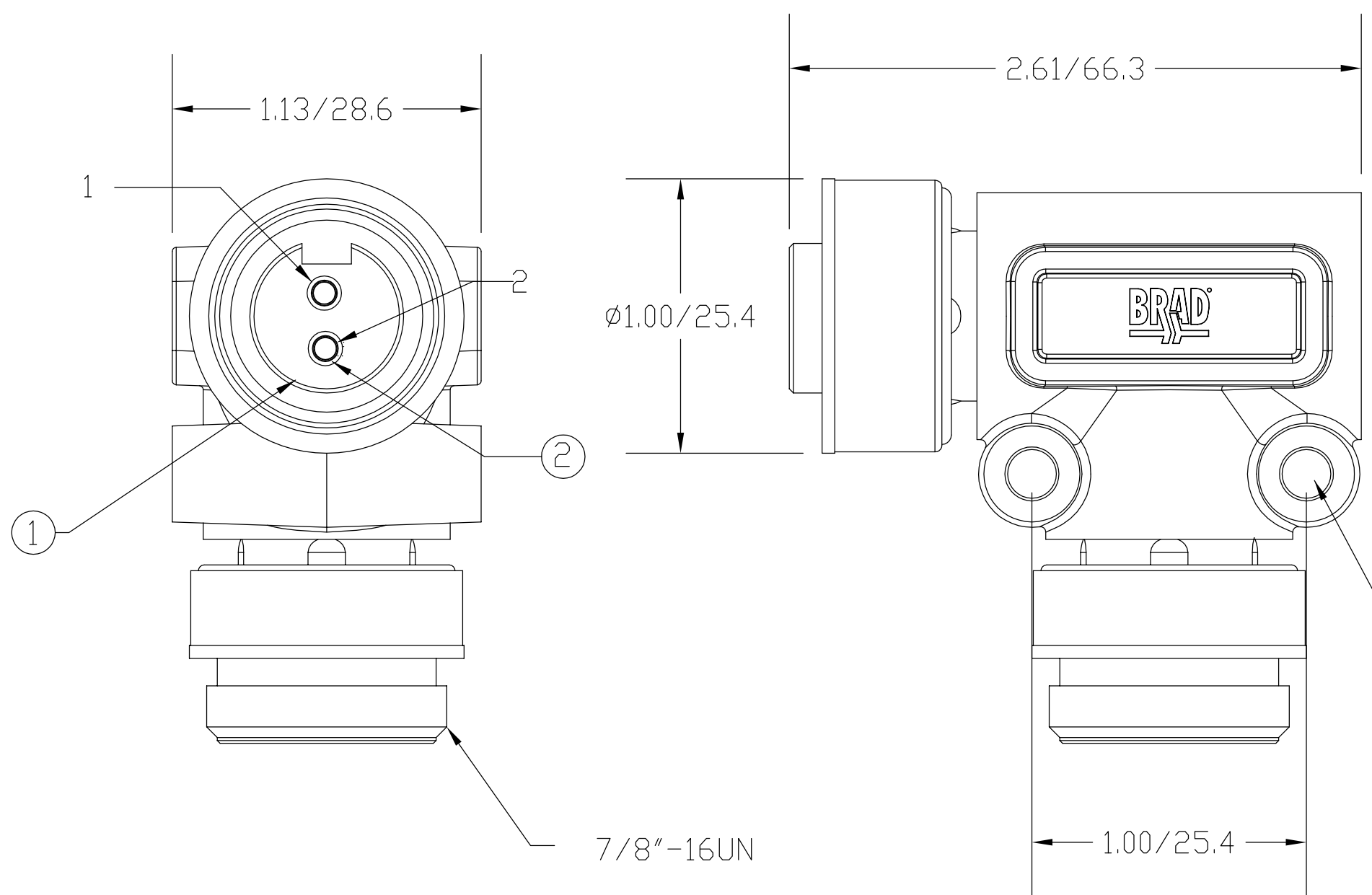


MATERIAL NUMBER	OLD PART NUMBER
130018-0204	40761



VOLTAGE RATING	600 VAC/VDC
AMPERAGE RATING	13 AMPS
PROTECTION	IP67
OPERATING TEMPERATURE	-20°C TO 80°C
UL CERTIFICATIONS	UL RECOGNIZED, FILE NO. E152210
CSA CERTIFICATIONS	CSA CERTIFIED, FILE NO. LR6837

ITEM	COMPONENT	MATERIAL	FINISH
1	INSERT	PVC	YELLOW
2	CONTACT	COPPER ALLOY	GOLD OVER NICKEL
3	COUPLING NUT	ZINC DIE CAST	BLACK E-COATED
4	OVERMOLD	PVC	YELLOW

RLSO DRAWING  
 EC NO: WNA2010-0131  
 DRWN: BWOODMAN 8/25/09  
 CH'KD: TW  
 APPR: JFMURPHY 2009/08/27  
 REV A

**QUALITY SYMBOL**  
 ▽=0  
 ▽C=0  
**GENERAL TOLERANCES (UNLESS SPECIFIED)**  

	mm	INCH
4 PLACES	±----	±----
3 PLACES	±----	±----
2 PLACES	±----	±.01
1 PLACE	±0.3	±----

 ANGULAR ±----°  
**DRAFT WHERE APPLICABLE MUST REMAIN WITHIN DIMENSIONS**

**DIMENSION STYLE**  
 IN/MM  
 DRAWN BY: BW DATE: 2009/08/25  
 CHECKED BY: JM DATE: 2009/08/25  
 APPROVED BY: JFMURPHY DATE: 2009/08/26  
 MATERIAL NO.: SEE CHART  
 SIZE: C

SCALE: ----  
 DESIGN UNITS: ----  
 THIRD ANGLE PROJECTION  
**TITLE**  
 MC 2P FEMALE/MALE 90 ADAPTER  
 MOLEX INCORPORATED  
 DOCUMENT NO.: SD-130018-005  
 SHEET NO.: 1 OF 1  
 THIS DRAWING CONTAINS INFORMATION THAT IS PROPRIETARY TO MOLEX INCORPORATED AND SHOULD NOT BE USED WITHOUT WRITTEN PERMISSION