

# CTMMP2012BF Series

From .33 $\mu$ H to 10 $\mu$ H



## CHARACTERISTICS

**Description:** SMD (shielded) power inductor.

**Applications:** Notebook, Desktop, Server applications, Low profile, high current power supplies, battery powered devices, DC/DC converter for Field Programmable Gate Array (FPGA).

**Operating Temperature:** -40°C to +125°C (The part temperature (ambient + temp. rise) should not exceed 125°C under worst case operating conditions. Circuit design, component placement, PWB trace size and thickness, airflow and other cooling provisions all affect the part temperature. Part temperature should be verified in the end application)

**Inductance Tolerance:**  $\pm 20\%$

**Testing:** Inductance is tested on an HP4285A at 100KHz, 1.0V

**Packaging:** Tape & Reel.

**Marking:** Parts are marked with inductance and date code.

**Miscellaneous:** **RoHS Compliant.**

**Additional Information:** Additional electrical & physical information available upon request.

**Samples available. See website for ordering information.**

## SPECIFICATIONS

Parts are available in  $\pm 20\%$  inductance tolerance only.

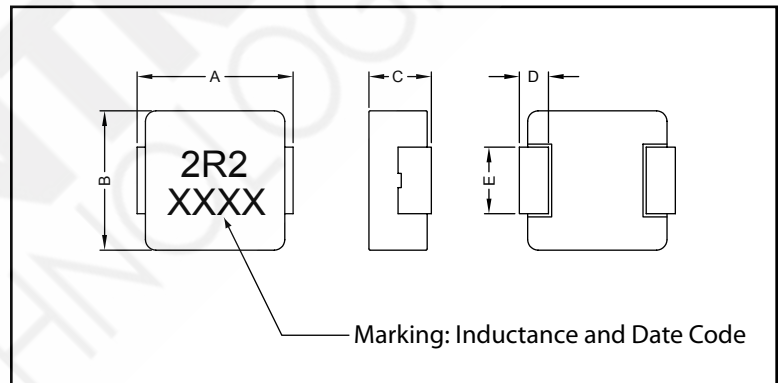
\*Irms: Will cause the coil temp. rise approximately  $\Delta T$  of 40°C. (Keep 1 Min)

\*\*Isat: Will cause L0 to drop approximately 20%. (Keep quickly)

Part Number	Inductance ( $\mu$ H)	L Test Freq. (KHz)	DCR Typ. (m $\Omega$ )	DCR Max. (m $\Omega$ )	*Irms Typ. (A)	**Isat Typ. (A)
CTMMP2012BF-R33M	0.33	100	6.3	7.3	12.0	21.3
CTMMP2012BF-R47M	0.47	100	7.3	8.6	11.5	18.0
CTMMP2012BF-R68M	0.68	100	11.0	12.4	10.0	12.8
CTMMP2012BF-1R0M	1.00	100	17.5	20.0	7.0	13.7
CTMMP2012BF-1R2M	1.20	100	23.0	28.0	6.2	11.0
CTMMP2012BF-1R5M	1.50	100	26.5	30.5	5.5	9.8
CTMMP2012BF-2R2M	2.20	100	42.0	50.0	4.2	9.0
CTMMP2012BF-3R3M	3.30	100	66.0	76.0	3.3	7.3
CTMMP2012BF-4R7M	4.70	100	103.0	116.0	2.8	5.0
CTMMP2012BF-5R6M	5.60	100	112.0	122.0	2.5	4.0
CTMMP2012BF-6R8M	6.80	100	130.0	150.0	2.4	3.8
CTMMP2012BF-8R2M	8.20	100	148.0	171.0	2.3	3.5
CTMMP2012BF-100M	10.0	100	180.0	199.0	2.3	3.4

## PHYSICAL DIMENSIONS

Size	A	B	C	D	E
mm	5.7 $\pm$ 0.3	5.2 $\pm$ 0.2	1.8 $\pm$ 0.2	1.1 $\pm$ 0.3	2.5 $\pm$ 0.3
inches	0.224 $\pm$ 0.012	0.20 $\pm$ 0.008	0.071 $\pm$ 0.008	0.043 $\pm$ 0.012	0.098 $\pm$ 0.012



## PAD LAYOUT

