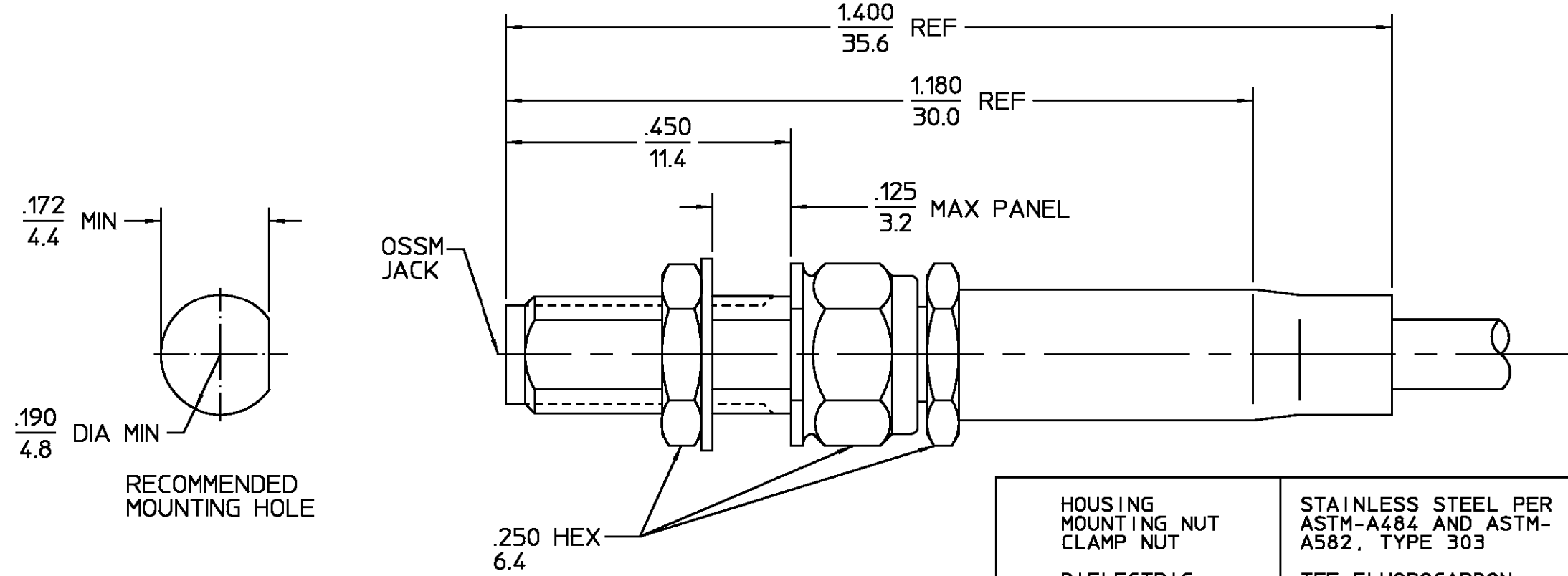


REVISIONS			
REV	DESCRIPTION	DATE	APPROVED
012	REDRAWN ON CAD ECN 94-0561	1/4/95	<i>RAC</i>



DESIGNED FOR USE WITH RG174/U,179,187,188,& 316	
CABLE ENTRY DIAMETER MINIMUM	
SLEEVE	.067
CONTACT	.024
DIELECTRIC	.066

ELECTRICAL	MECHANICAL	ENVIRONMENTAL
Nominal Impedance (Ohms) <u>50</u>	Interface Dimensions MIL-STD-348A, Fig. 319-2	Temperature Rating <u>-65°C to +165°C</u>
Frequency Range (GHz) DC to <u>26</u>	Recommended Mating Torque <u>5 In. Lbs.</u>	Vibration MIL-STD-202, Method 204, Condition D
Volt Rating (VRMS MAX) @ Sea Level <u>250</u>	Mating Characteristics: Insertion (MAX Lbs) <u>3</u>	Shock MIL-STD-202, Method 213, Condition I
VSWR <u>1.07+.015f</u> (f in GHz)	Withdrawal (MIN Oz) <u>1</u>	Thermal Shock MIL-STD-202, Method 107, Condition B, Except High Temp <u>-85°C</u>
Insertion Loss (dB MAX) <u>.04√fGHz</u>	Force to Engage and Disengage (In-Lbs MAX) <u>2.0</u>	Moisture Resistance MIL-STD-202, Method 106
RF Leakage (dB MIN) <u>-60</u>	Center Contact Captivation Axial (Lbs) <u>6.0</u>	Corrosion - MIL-STD-202, Method 101, Condition B, 5% salt spray
Corona, 70,000 Ft (VRMS MIN) <u>190</u>	Radial (In-Oz) <u>N/A</u>	
Dielectric Withstanding Voltage (VRMS MIN) @ Sea Level <u>750</u>	Cable Retention Axial Force (Lbs) <u>20</u>	
Contact Resistance (Milliohms MAX) Center Contact <u>4.0</u>	Torque (In-Oz) <u>N/A</u>	
Outer Contact <u>2.0</u>	Weight (Grams) <u>2.4</u>	
Cable to Housing <u>0.5</u>		
RF High Potential @ Sea Level (VRMS MIN @ 5 MHz) <u>500</u>		
LR.(Megohms MIN) <u>5,000</u>		

COMPONENT	MATERIAL	FINISH
HOUSING MOUNTING NUT CLAMP NUT	STAINLESS STEEL PER ASTM-A484 AND ASTM- A582, TYPE 303	PASSIVATE PER ASTM-A-380
DIELECTRIC	TFE FLUOROCARBON PER ASTM-D-1457	N/A
CENTER CONTACT	BERYLLIUM COPPER PER ASTM-B-196 OR ASTM-B-197, ALLOY C17300, CONDITION H	GOLD PLATE PER MIL-G-45204
SHRINK TUBING	HEAT SHRINKABLE POLYOLEFIN COMPOUND MIL-I-23053/4	N/A
CRIMP SLEEVE	COPPER OR BRASS ALLOY ROCKWELL F65 MAX	GOLD PLATE PER MIL-G-45204

UNLESS OTHERWISE SPECIFIED DIMENSIONS ARE IN INCHES		DRAWN BY <u>VD</u> 10/31/80 <sup>DATE</sup>		 AMP Incorporated 140 Fourth Avenue Waltham, MA 02451-7599	
FRAC.	DEC.	ANGLES	CHECKED BY <u>K. DALY</u> 12/11/80		
± 1/64	±.005	± 1°	APPD BY <u>T.S.</u> 12/15/80		
These drawings and specifications are the property of M/A COM Interconnect Div. and shall not be reproduced or copied or used in whole or in part as the basis for the manufacture or sale of items without written permission.		USE ASS'Y PROCEDURE		TITLE OSSM BULKHEAD FEEDTHRU CABLE JACK-CRIMP ATTACHMENT	
		NO. AP. <u>408-04784</u> (10-018)		SIZE <u>B</u>	CODE IDENT NO. <u>1034-7188-02</u>
				SCALE <u>5/1</u>	REV <u>012</u>
				SHEET 1 OF 1	