


Testing Socket for Devices with USB Type C Connectors XP2U-001

Socket for testing electronic devices that have a USB Type-C I/O connector

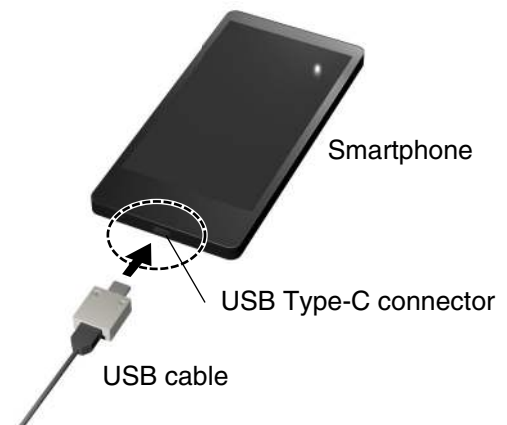
- Equipped with a USB Type-C 3.1 compliant connector (Model DX07B024JJ3LR1600, manufactured by JAE)
- With installation hole (1.8 dia.) that enables attachment on equipment



 Refer to *Safety Precautions* on page 4.

Features

- Testing can be accomplished by simply inserting the connector into the USB Type-C connector on the electronic device
- You can connect to the testing equipment by one-touch connection to the USB Type-C connector.



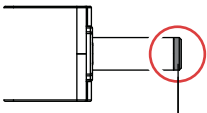
Various features designed specifically for connector testing

Unique high-hardness material realizes high durability

Eliminates a locking mechanism and realizes a low insertion force
Can be inserted smoothly into the connector with minimal force.

Connector plug with plastic tip minimizes damage to the connector of the device being tested

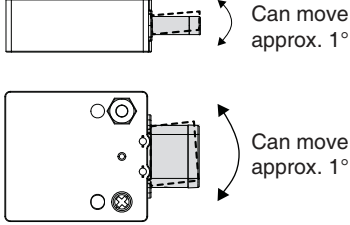
Plastic tip



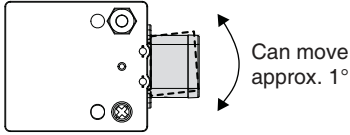
Plastic

The tip is plastic to reduce the possibility of scratching the device being tested.

Floating structure



Can move approx. 1°



Can move approx. 1°

The tip moves flexibly, allowing easy insertion even if the insertion angle is not completely horizontal.

Application examples

Testable devices

All electronic devices that have a USB Type-C connector can be tested.



Smartphone inspection



Handheld game console inspection



Electronic tobacco inspection



Digital camera inspection

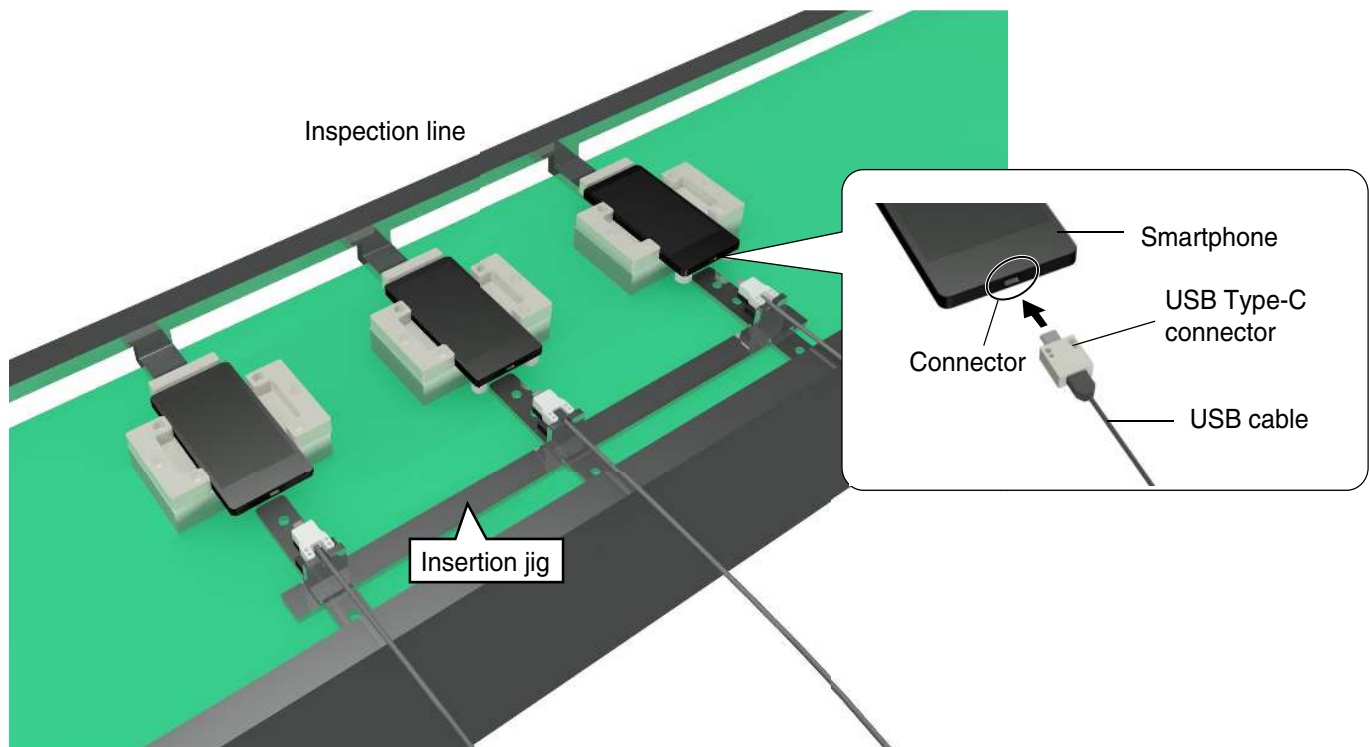


Headphone inspection



Notebook computer inspection

Example testing setup



Ordering Information

Model	Minimum packing unit
XP2U-001	1 Piece

Note: Please order in multiples of the minimum packing unit.

Ratings/Characteristics

Rating

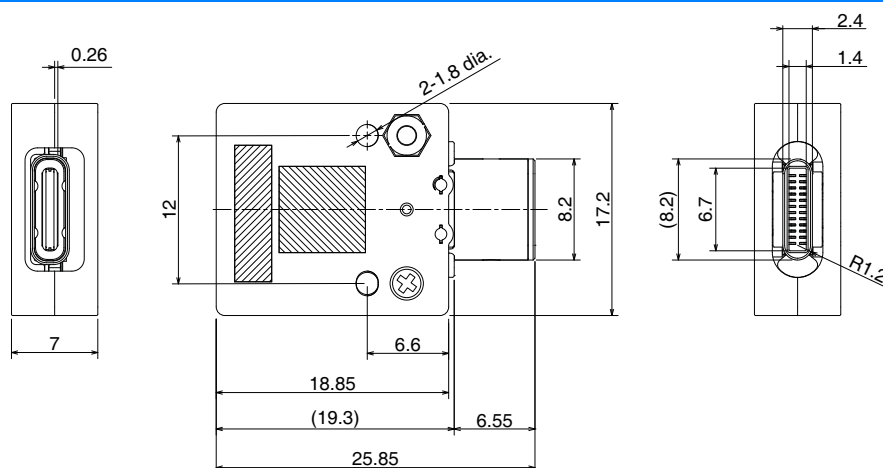
Item	Details																																																
Rated current	1.25 ADC (USB Type-C, pin numbers A1, A4, A9, A12, B1, B4, B9, B12) 0.25 ADC (USB Type-C, pin numbers A2, A3, A5 to A8, A10, A11, B2, B3, B5 to B8, B10 to B11) <div style="text-align: center; border: 1px solid black; border-radius: 15px; padding: 5px; margin: 10px 0;"> <table style="margin: auto; border-collapse: collapse;"> <tr> <td>A12</td><td>A11</td><td>A10</td><td>A9</td><td>A8</td><td>A7</td><td>A6</td><td>A5</td><td>A4</td><td>A3</td><td>A2</td><td>A1</td> </tr> <tr> <td>GND</td><td>RX2+</td><td>RX2-</td><td>VBUS</td><td>SBU1</td><td>D-</td><td>D+</td><td>CC1</td><td>VBUS</td><td>TX1-</td><td>TX+</td><td>GND</td> </tr> <tr> <td colspan="12" style="text-align: center;"> </td> </tr> <tr> <td>B1</td><td>B2</td><td>B3</td><td>B4</td><td>B5</td><td>B6</td><td>B7</td><td>B8</td><td>B9</td><td>B10</td><td>B11</td><td>B12</td> </tr> </table> </div>	A12	A11	A10	A9	A8	A7	A6	A5	A4	A3	A2	A1	GND	RX2+	RX2-	VBUS	SBU1	D-	D+	CC1	VBUS	TX1-	TX+	GND													B1	B2	B3	B4	B5	B6	B7	B8	B9	B10	B11	B12
A12	A11	A10	A9	A8	A7	A6	A5	A4	A3	A2	A1																																						
GND	RX2+	RX2-	VBUS	SBU1	D-	D+	CC1	VBUS	TX1-	TX+	GND																																						
B1	B2	B3	B4	B5	B6	B7	B8	B9	B10	B11	B12																																						
Rated voltage	20 V DC/AC (ambient temperature 20°C)																																																
Ambient operating temperature	5 to 40°C (no icing or condensation)																																																
Ambient operating humidity	5 to 85°C RH																																																
Ambient storage temperature	5 to 40°C (no icing or condensation)																																																
Ambient storage humidity	5 to 85°C RH																																																

Specification

Item	Details
Connection type	USB Type-C
Weight	Approx. 3.4 g

Dimensions

(Unit: mm)



Safety Precautions

Operating and storage environment

1. Observe the following precautions when storing the product for a prolonged time.
2. Keep the storage location free from dust and moisture.
3. Do not store near sources of ammonia gas or sulfuric gas.
4. Do not store in direct sunlight or where the product will come in contact with rain or snow.

Precautions for Correct Use

When using the product

- One of unique point for this product is to prevent damage to DUT because of resin material on tip parts.
Therefore there is threat to make damaging to the tip parts in case of use case with rotation action or inclination of insertion and withdrawal over floating angle. Please use not to make over floating angle.
- Do not drop the product. Risk of connector failure.
- Do not use a current higher than the current rating. Risk of abnormal heating.
- Do not wire the product in a way that will subject it to direct force. Risk of deformation.
- Do not use in the following environments.
 - A location exposed to direct radiant heat from heating equipment
 - A location where water or oil will get on the product
 - A location exposed to direct sunlight
 - A location where dust or corrosive gas (especially sulfuric gas or ammonia gas) is present
 - A location subject to sudden temperature changes
 - A location where there is a risk of icing or condensation
 - A location subject to significant vibration or shock

Terms and Conditions Agreement

Read and understand this catalog.

Please read and understand this catalog before purchasing the products. Please consult your OMRON representative if you have any questions or comments.

Warranties.

- (a) Exclusive Warranty. Omron's exclusive warranty is that the Products will be free from defects in materials and workmanship for a period of twelve months from the date of sale by Omron (or such other period expressed in writing by Omron). Omron disclaims all other warranties, express or implied.
- (b) Limitations. OMRON MAKES NO WARRANTY OR REPRESENTATION, EXPRESS OR IMPLIED, ABOUT NON-INFRINGEMENT, MERCHANTABILITY OR FITNESS FOR A PARTICULAR PURPOSE OF THE PRODUCTS. BUYER ACKNOWLEDGES THAT IT ALONE HAS DETERMINED THAT THE PRODUCTS WILL SUITABLY MEET THE REQUIREMENTS OF THEIR INTENDED USE.

Omron further disclaims all warranties and responsibility of any type for claims or expenses based on infringement by the Products or otherwise of any intellectual property right. (c) Buyer Remedy. Omron's sole obligation hereunder shall be, at Omron's election, to (i) replace (in the form originally shipped with Buyer responsible for labor charges for removal or replacement thereof) the non-complying Product, (ii) repair the non-complying Product, or (iii) repay or credit Buyer an amount equal to the purchase price of the non-complying Product; provided that in no event shall Omron be responsible for warranty, repair, indemnity or any other claims or expenses regarding the Products unless Omron's analysis confirms that the Products were properly handled, stored, installed and maintained and not subject to contamination, abuse, misuse or inappropriate modification. Return of any Products by Buyer must be approved in writing by Omron before shipment. Omron Companies shall not be liable for the suitability or unsuitability or the results from the use of Products in combination with any electrical or electronic components, circuits, system assemblies or any other materials or substances or environments. Any advice, recommendations or information given orally or in writing, are not to be construed as an amendment or addition to the above warranty.

See <http://www.omron.com/global/> or contact your Omron representative for published information.

Limitation on Liability; Etc.

OMRON COMPANIES SHALL NOT BE LIABLE FOR SPECIAL, INDIRECT, INCIDENTAL, OR CONSEQUENTIAL DAMAGES, LOSS OF PROFITS OR PRODUCTION OR COMMERCIAL LOSS IN ANY WAY CONNECTED WITH THE PRODUCTS, WHETHER SUCH CLAIM IS BASED IN CONTRACT, WARRANTY, NEGLIGENCE OR STRICT LIABILITY.

Further, in no event shall liability of Omron Companies exceed the individual price of the Product on which liability is asserted.

Suitability of Use.

Omron Companies shall not be responsible for conformity with any standards, codes or regulations which apply to the combination of the Product in the Buyer's application or use of the Product. At Buyer's request, Omron will provide applicable third party certification documents identifying ratings and limitations of use which apply to the Product. This information by itself is not sufficient for a complete determination of the suitability of the Product in combination with the end product, machine, system, or other application or use. Buyer shall be solely responsible for determining appropriateness of the particular Product with respect to Buyer's application, product or system. Buyer shall take application responsibility in all cases.

NEVER USE THE PRODUCT FOR AN APPLICATION INVOLVING SERIOUS RISK TO LIFE OR PROPERTY OR IN LARGE QUANTITIES WITHOUT ENSURING THAT THE SYSTEM AS A WHOLE HAS BEEN DESIGNED TO ADDRESS THE RISKS, AND THAT THE OMRON PRODUCT(S) IS PROPERLY RATED AND INSTALLED FOR THE INTENDED USE WITHIN THE OVERALL EQUIPMENT OR SYSTEM.

Programmable Products.

Omron Companies shall not be responsible for the user's programming of a programmable Product, or any consequence thereof.

Performance Data.

Data presented in Omron Company websites, catalogs and other materials is provided as a guide for the user in determining suitability and does not constitute a warranty. It may represent the result of Omron's test conditions, and the user must correlate it to actual application requirements. Actual performance is subject to the Omron's Warranty and Limitations of Liability.

Change in Specifications.

Product specifications and accessories may be changed at any time based on improvements and other reasons. It is our practice to change part numbers when published ratings or features are changed, or when significant construction changes are made. However, some specifications of the Product may be changed without any notice. When in doubt, special part numbers may be assigned to fix or establish key specifications for your application. Please consult with your Omron's representative at any time to confirm actual specifications of purchased Product.

Errors and Omissions.

Information presented by Omron Companies has been checked and is believed to be accurate; however, no responsibility is assumed for clerical, typographical or proofreading errors or omissions.

Please check each region's Terms & Conditions by region website.

OMRON Corporation

Electronic and Mechanical Components Company

Regional Contact

Americas

<https://www.components.omron.com/>

Asia-Pacific

<https://ecb.omron.com.sg/>

Korea

<https://www.omron-ecb.co.kr/>

Europe

<http://components.omron.eu/>

China

<https://www.ecb.omron.com.cn/>

Japan

<https://www.omron.co.jp/ecb/>