

Type LPR-08

“Add-On” Automotive Fuse Holder

Regular Automotive Blade Type Fuse

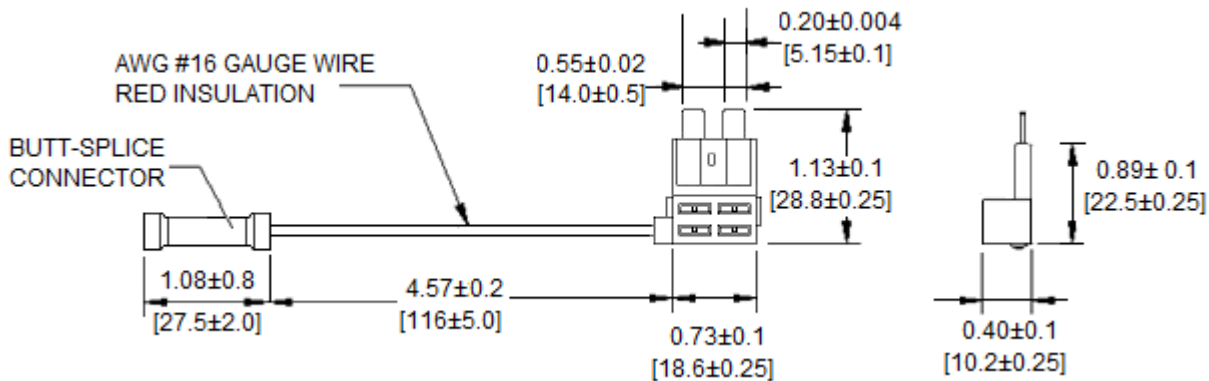
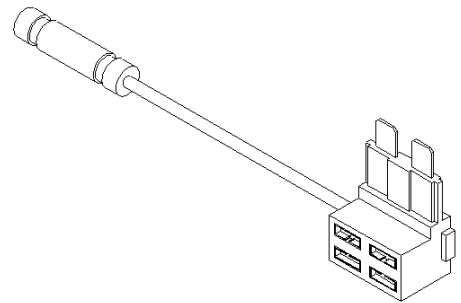


www.optifuse.com (619) 593-5050

Rating: 32VDC
 Max Combined Current - Both Circuits - 30A
 Max Primary Circuit - 25A
 Max Auxiliary Circuit - 15A

Body Material: PVC
 For use with Type APR Fuse (Regular Automotive Blade Type)
 Wire: 16 AWG Red Wire
 Connector: Butt-Splice Connector

Mechanical Dimensions: Inches [mm]



	<p>Warning: -Operation beyond the specified maximum ratings or improper use may result in damage and possible electrical arcing and/or flame.</p>
	<p>-Device is intended for occasional overcurrent protection. Application for repeated overcurrent condition and/or prolonged trip are not anticipated.</p> <p>-Avoid contact of device with chemical solvent. Prolonged contact will damage the device performance.</p>