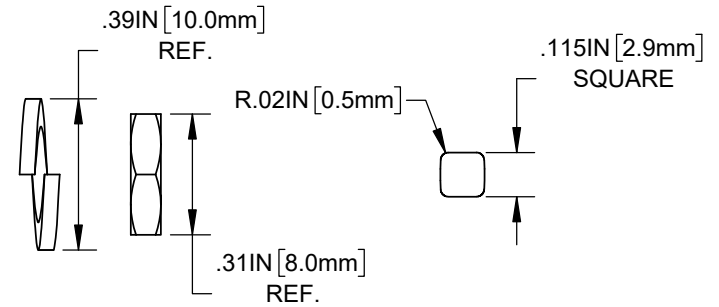
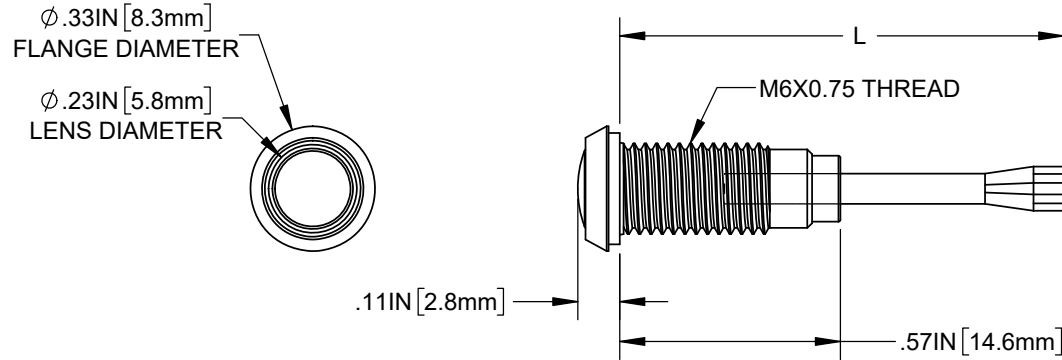


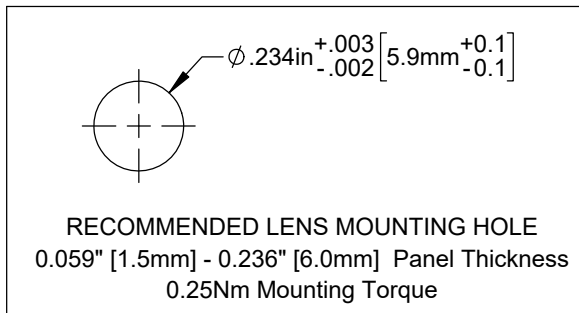
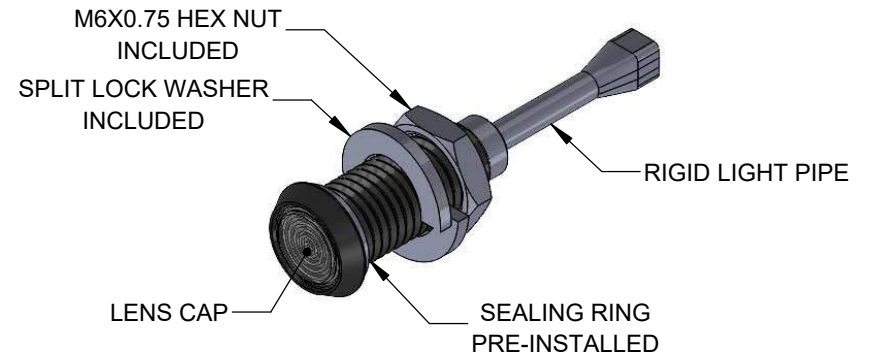
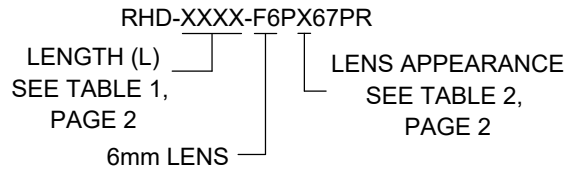
NOTES:

1. SEALED TO IP67 RATING
2. ROHS COMPLIANT
3. LIGHT PIPE PRE-ASSEMBLED WITH INSERT AND HOUSING. MOUNTING HARDWARE SHIPPED NON-ASSEMBLED

REVISIONS			
REV.	DESCRIPTION	DATE	APPROVED
A	ENGINEERING RELEASE	1/18/2021	A.V.
B	Updated Component Tables	2/16/2021	A.V.
C	Updated Component Tables	2/19/2021	A.V.
D	Updated Descriptions	3/17/2021	A.V.



PART NUMBER CONFIGURATION



**CUSTOMER USE DRAWING**

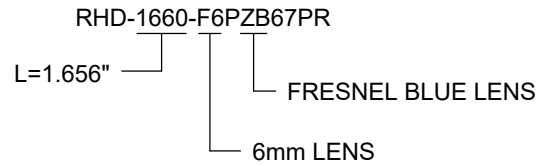
STANDARD TOLERANCE (UNLESS OTHERWISE SPECIFIED)		 4 THOMAS, IRVINE, CA. 92618 TEL: (949) 951-8808 FAX: (949) 951-3974		
DECIMALS				ANGULAR
.X	± .1			X° ± 1°
.XX	± .02			
.XXX	± .010		TITLE: IP67 Rigid Heavy Duty Light Pipe	
DESIGNED: K. BARON	DATE: 01/18/2021	DRAWING NO: RHD-XXXX-F6PX67PR	REVISION: D	
REVISED: K. BARON	DATE: 03/17/2021	SHEET SIZE: A	CAGE CODE: 32559	
CHECKED: A. VALDEZ	DATE: 03/17/2021	SCALE: 2:1	SHEET # 1 OF 2	

CAD GENERATED DOCUMENT, DO NOT MEASURE DRAWING

TABLE 1 - LENGTH	
ORDER CODE	LENGTH (L)
0910	0.906 [23.0mm]
1160	1.156 [29.4mm]
1410	1.406 [35.7mm]
1660	1.656 [42.1mm]
1910	1.906 [48.4mm]
2160	2.156 [54.8mm]

TABLE 2 - LENS APPEARANCE	
ORDER CODE	LENS APPEARANCE
Z	FRESNEL CLEAR
ZB	FRESNEL BLUE
ZG	FRESNEL GREEN
ZR	FRESNEL RED
ZY	FRESNEL YELLOW
(BLANK)	CLEAR
D	DIFFUSED
S	SMOKED

SAMPLE PART NUMBER



**CUSTOMER USE DRAWING**

		<b>BIVAR</b> <sup>®</sup>	
<b>CAGE CODE:</b>	<b>32559</b>	<b>DRAWING NO:</b> RHD-XXXX-F6PX67PR	<b>REVISION:</b> D
<b>SHEET SIZE:</b>	<b>A</b>	SCALE: 2:1	<b>SHEET # 2 OF 2</b>
<small>CAD GENERATED DOCUMENT, DO NOT MEASURE DRAWING</small>			