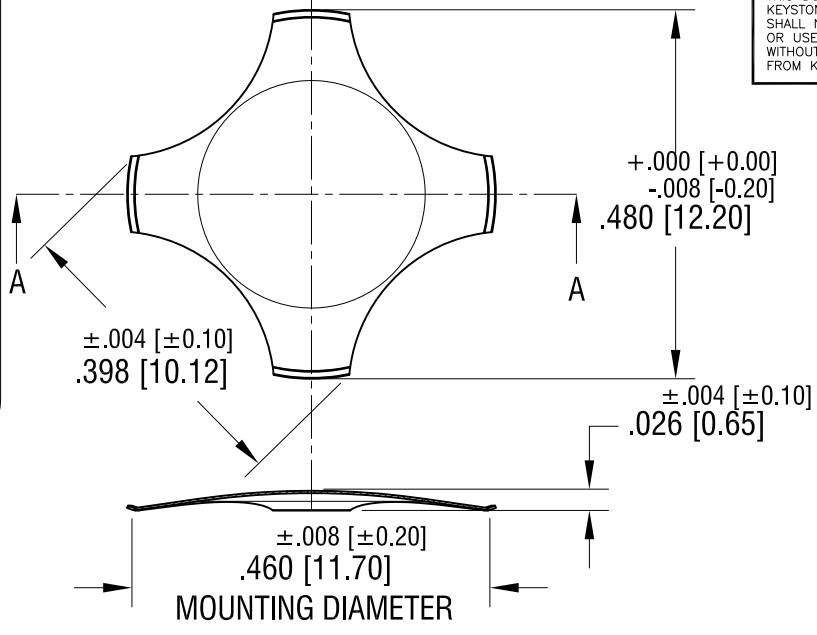
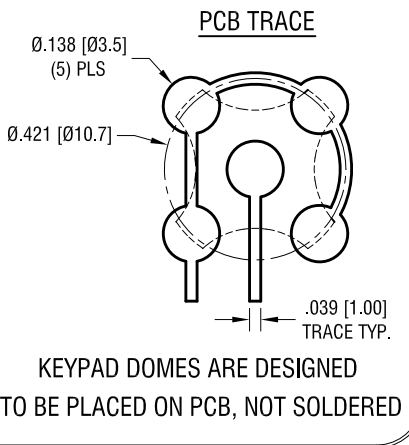
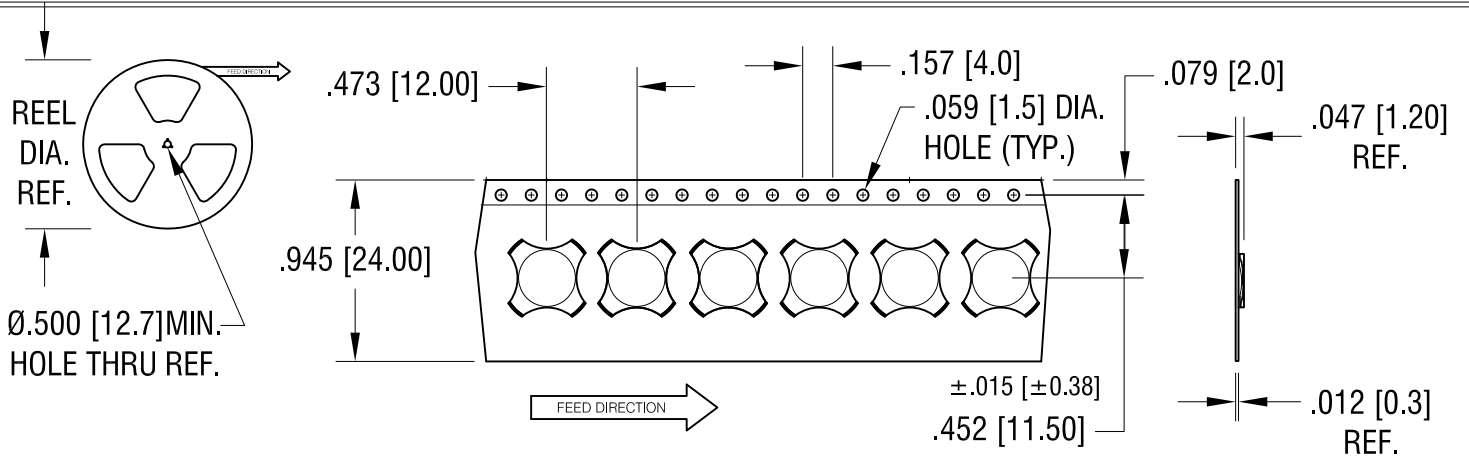


THIS DOCUMENT IS THE PROPERTY OF KEYSTONE ELECTRONICS CORP. AND SHALL NOT BE REPRODUCED, DISTRIBUTED OR USED AS A BASIS FOR MANUFACTURE WITHOUT PRIOR WRITTEN PERMISSION FROM KEYSTONE ELECTRONICS CORP.



ACTUAL SIZE



DOMES SPECIFICATIONS:

1. VOLTAGE/CURRENT MAXIMUM: 12mA@ 24 Volts DC
2. OPERATING TEMPERATURE: -40°C TO 105°C
3. STORAGE TEMPERATURE: -55°C TO 125°C
4. MAT'L: .003 [0.08] STAINLESS STEEL
5. FINISH: NICKEL PLATE
6. TRIP FORCE: 220g

NOTES: SUPPLIED ON TAPE AND REEL ONLY

TAPE AND REEL SPECIFICATIONS:

1. TAPE:
 MAT'L - ALL CONDUCTIVE POLYSTYRENE CARRIER
 ANSI/EIA-481 STANDARD
2. REEL:
 13.0 [330.2] DIA. 4000 PIECES PER REEL

KEYSTONE ELECTRONICS CORP.			
www.keyelco.com • ASTORIA, N.Y. 11105-2017 • Tel (718) 956-8900			
PART NAME		4 LEG DOME, 12.2 mm	
MATERIAL		AS NOTED	
FINISH	DRN BY	DATE	
AS NOTED	NT	2.15.17	
	APP'D	SCALE	
	RH	4X; 1X	
TOLERANCES INCH [MM]	CODE	DWG NO.	
DECIMAL ± .005 [± 0.13]	C		
ANGULAR ± 1°			
UNLESS OTHERWISE SPECIFIED			

10.05.18	CHANGE AS PER ECN 18-040	A
DATE	DESCRIPTION	REV.

5173TR