

RH-EE-05 | Folding handle with recessed tray

Stainless steel



- 1
- 2
- 3
- 4
- 5
- 6
- 7
- 8
- 9
- 10
- 11
- 12
- 13
- 14
- 15
- 16
- 17
- 18

MATERIAL

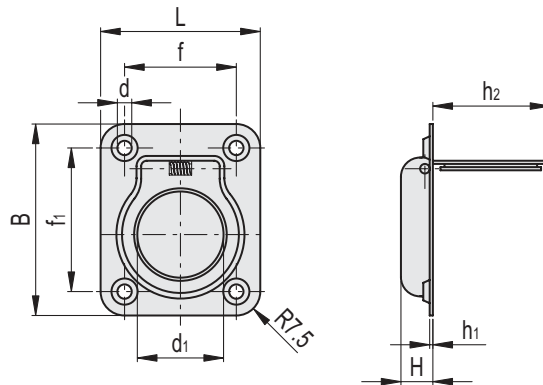
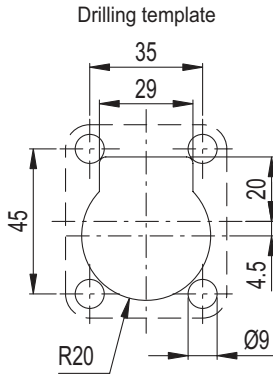
AISI 304 stainless steel with electropolished finish.
Handle with return spring from work to rest position.

STANDARD EXECUTION

Pass-through holes for M4 countersunk-head screws.

APPLICATIONS

The folding handle with recessed tray RH-EE-05 series is used when it is requested to save space.



| Conversion Table | | | |
|-------------------|------|-----|------|
| 1 mm = 0.039 inch | | | |
| L | | d | |
| mm | inch | mm | inch |
| 50 | 1.97 | 4.5 | 0.18 |

| Code | f | L | B | f1 | H | h1 | h2 | d | d1 | ⚠ |
|----------------|----|----|----|----|----|----|----|-----|----|----|
| RHEE-05.060.39 | 35 | 50 | 60 | 45 | 10 | 1 | 35 | 4.5 | 27 | 36 |



Lift & Pull handles

542

