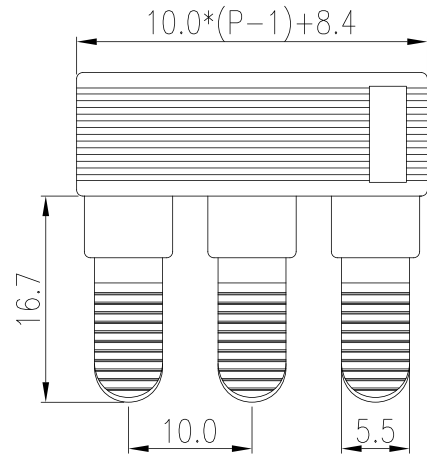


CSC-10XXPN



DIN Rail Terminal Blocks > Accessories > Insertion Bridge



Specification

| | |
|----------------------|------------------|
| Product description | Insertion Bridge |
| Color | Beige |
| Housing material | PA |
| Inflammability class | UL94-V0 |
| Terminal material | Copper Alloy |
| Surface Plating | Tin plated |
| Position | 02~10P |
| Compatible products | DK10N, DK10N-TN |
| Package | 50 pcs / box |