

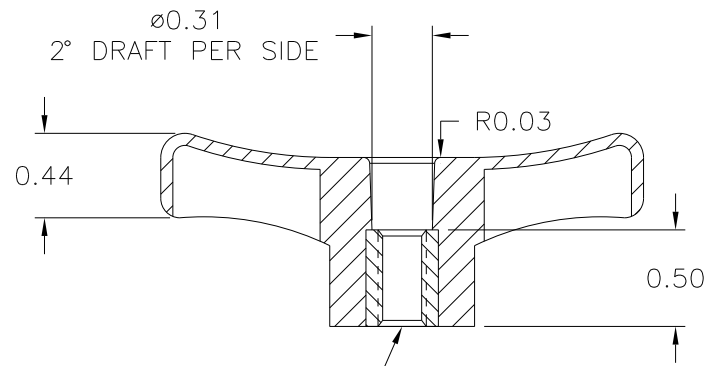
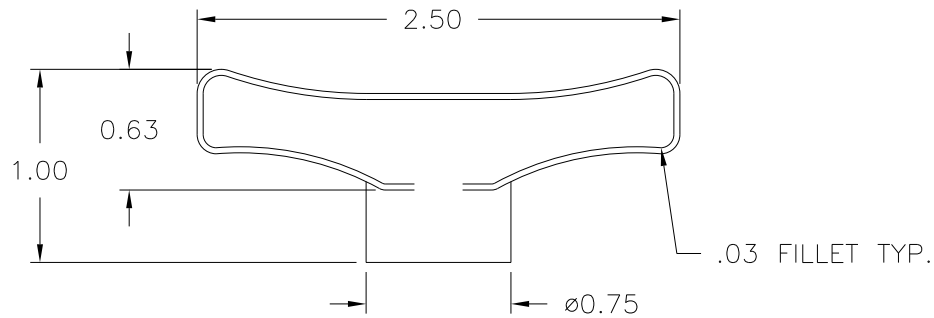
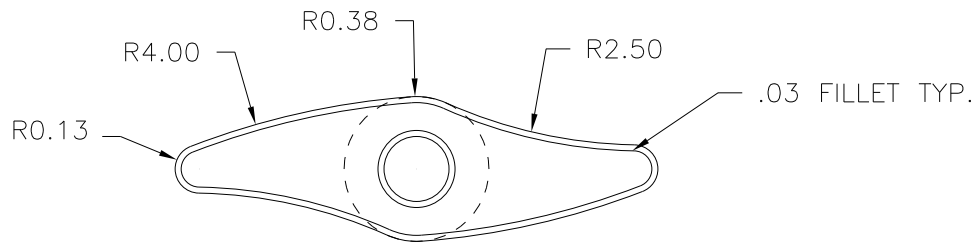
PART NAME: KNOB SCALE: 1:1 DATE: 6/7/99 DR. BY TL

THIS DRAWING IS THE PROPERTY OF DAVIES MOLDING COMPANY, IS SUBMITTED SOLELY AS A DESIGN OR ENGINEERING PROJECT. WE ACCEPT NO RESPONSIBILITY WHATSOEVER FOR THE PRACTICAL APPLICATION OF THE PIECES MADE TO THIS DESIGN.

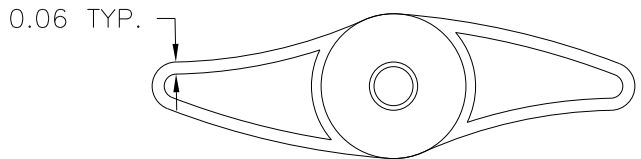


P/N 2031DK	
M ^{NO.} MUD-FRAME	
CAVITY	2030
CORE	2030
TOP PIN	2031DK
SLEEVE	2031
BOTTOM PIN	2031DK
CORE BUSH.	2031
INSERT	I1334

T.O.#: 20717



1/4-20 UNC-2B THREADED
I1334, H.H. BRASS



MATERIAL: 33% GLASS-FILLED NYLON (BD1)
COLOR: BLACK

TOLERANCES: UNLESS OTHERWISE SPECIFIED	DO NOT SCALE DRAWING				
DECIMALS: X.XXX ± .005 X.XX ± .015	MM: X.XX ± 0.15MM X.X ± 0.4MM				
FRACTIONS ± 1/64	ANG. ± 1°	CHANGES			