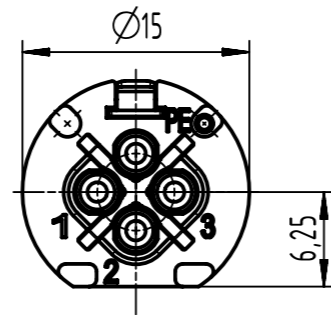
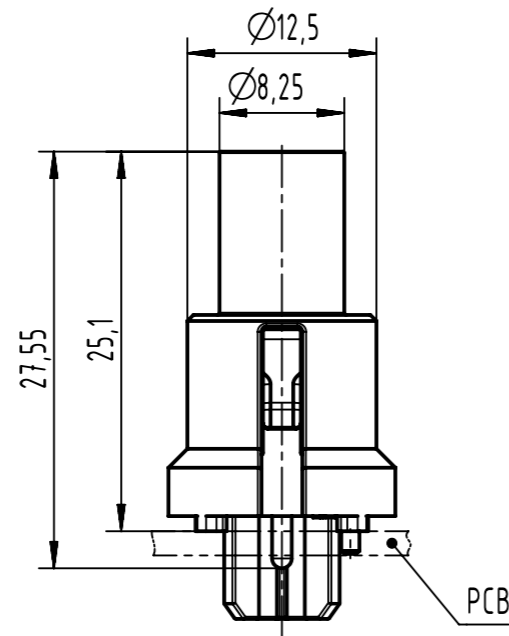
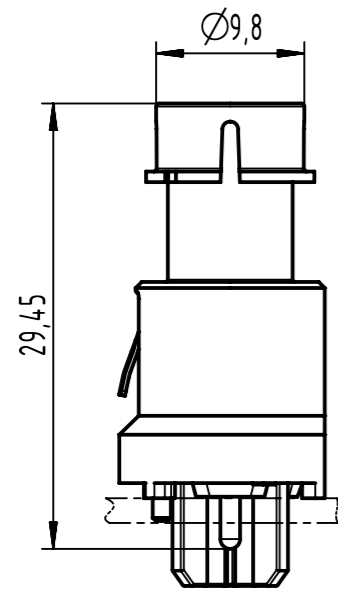
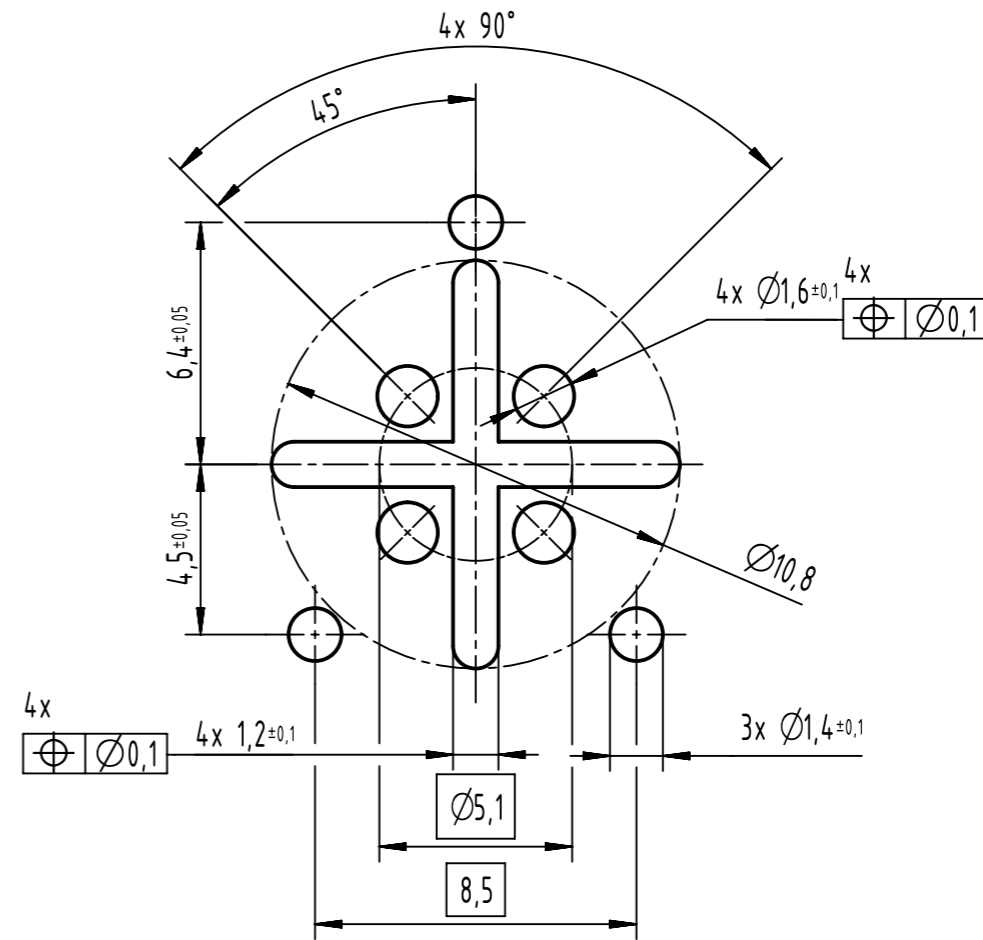


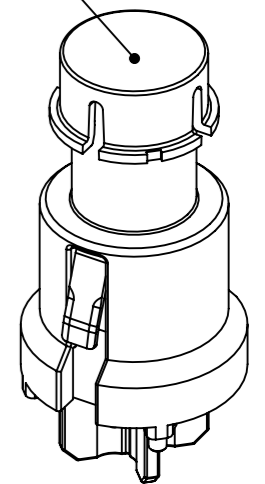
view without pick and place cap



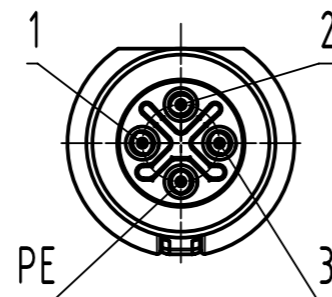
recommended PCB-layout
(5:1)



pick & place cap



contact face based on
IEC 610776-2-111



- recommended PCB: 1,6mm
- 60 pcs. tray package

	All rights reserved	Created by 402918	Inspected by MICLAUS	Standardisation ROEBEN	Date 2021-12-06	State Final Release	Ref. Sub.
	Department EL PD	Title M12-PCB-THR-2PC-4P-SCOD-F-STR-SHLD				Doc-Key / ECM-Nr. 100796974/UGD/002/D 50000207442	
HARTING D-32339 Espelkamp		Type TB	Number 21033092403		Rev. D	Page 1/1	