

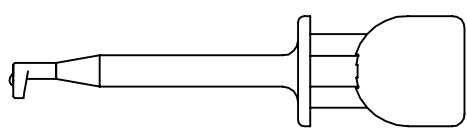
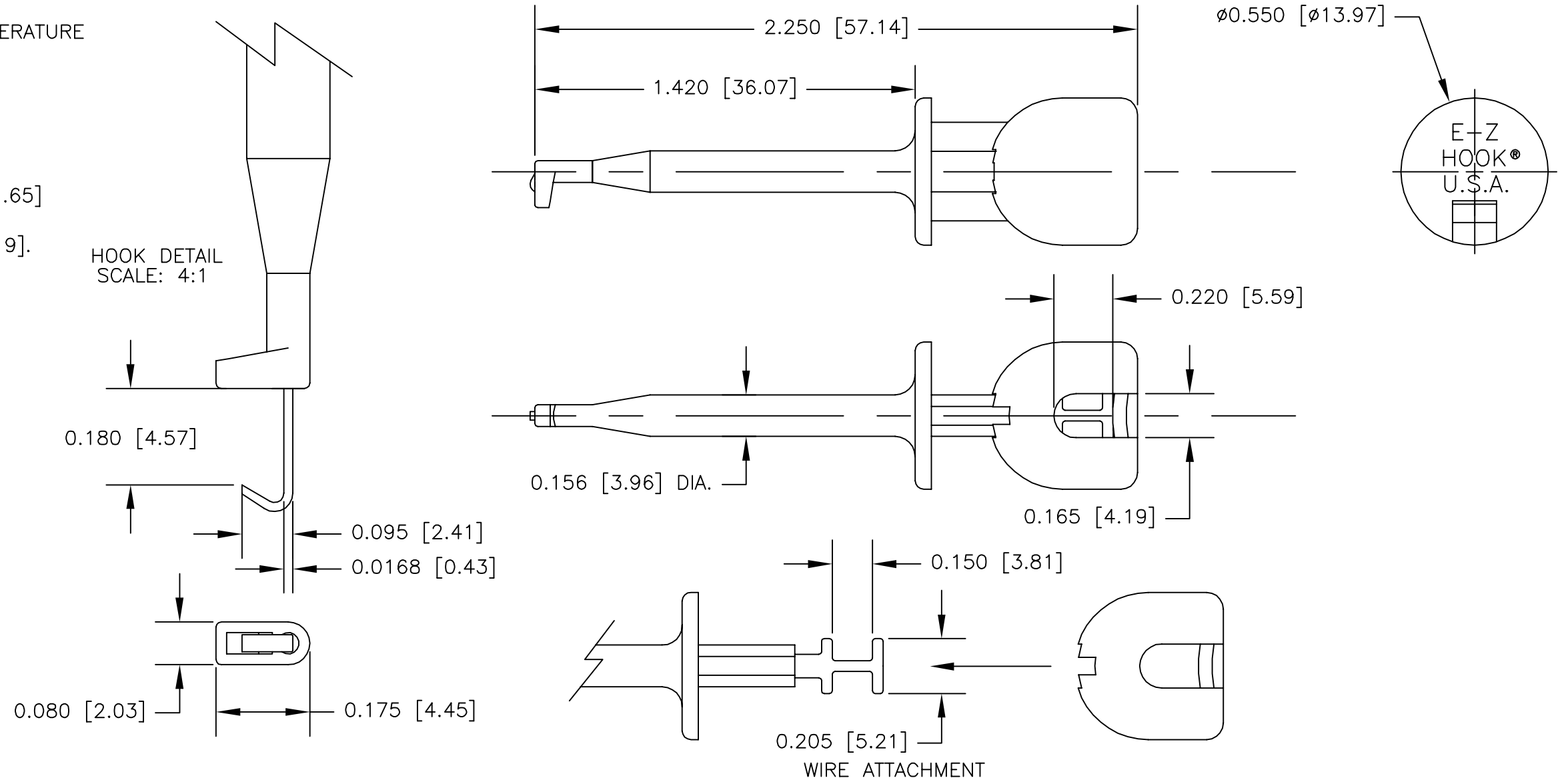
NOTES: UNLESS OTHERWISE SPECIFIED

LTR	DESCRIPTION	REVISIONS		DATE	APPROVED
		NO.	DESCRIPTION		

- CONSTRUCTION:
 HOUSING & PLUNGER: MOLDED NYLON TYPE 6,6.
 AVAILABLE IN TEN COLORS.
 CONTACT BLADE: BERYLLIUM COPPER PER QQ-C-533. GOLD PLATED PER MIL-G-45204 B TYPE 1 0.00001" [0.000254] THICK MINIMUM.
 SPRING: STAINLESS STEEL TYPE 302.

- PERFORMANCE:
 MAXIMUM CURRENT: 5.9 AMPS WITH A 77° TEMPERATURE RISE.
 MAXIMUM VOLTAGE: 5.4 KV
 MAXIMUM TEMPERATURE: 200°F (93°C)

- FEATURES:
 HOOK FITS COMPONENTS UP TO 0.040" [1.01].
 TIP HAS BEEN EXTENDED TO PROVIDE 0.065" [1.65] X 0.040" [1.01] HOLE.
 LEAD EXIT HOLE INCREASED TO FIT ϕ 0.165" [4.19].
 FIELD SERVICEABLE.



ACTUAL SIZE

		UNLESS OTHERWISE SPECIFIED DIMENSIONS ARE IN INCHES TOLERANCES ARE: FRACTIONS DECIMALS ANGLES ± .XX ± ± .XXX ±	CONTRACT NO.		E-Z-HOOK DIVISION OF TEKTEST INC. ARCADIA, CA 91006 U.S.A.
			APPROVALS	DATE	
		MATERIAL SEE NOTE.	DRAWN R.L.	7/09	DESCRIPTION E-Z-MINI-HOOK FOR HEAVY LEAD WITH RECT. HOLE
		FINISH SEE NOTE.	APPROVED BY		SIZE CODE IDENT NO. DRAWING NO. REV. B 08505 X100W2A
NEXT ASSY	USED ON				SCALE 2:1 SHEET 1 OF 1
APPLICATION		DO NOT SCALE DRAWING			

THE INFORMATION CONTAINED IN THIS DOCUMENT IS PROPRIETARY TO E-Z-HOOK. THE INFORMATION IS NOT TO BE REPRODUCED WITHOUT PRIOR WRITTEN PERMISSION OF E-Z-HOOK, DIV. OF TEKTEST INC. MAXIMUM TESTED RATINGS IN A HANDS-FREE CONTROLLED ENVIRONMENT. MAXIMUM RATINGS ARE NOT TO BE USED CONCURRENTLY.