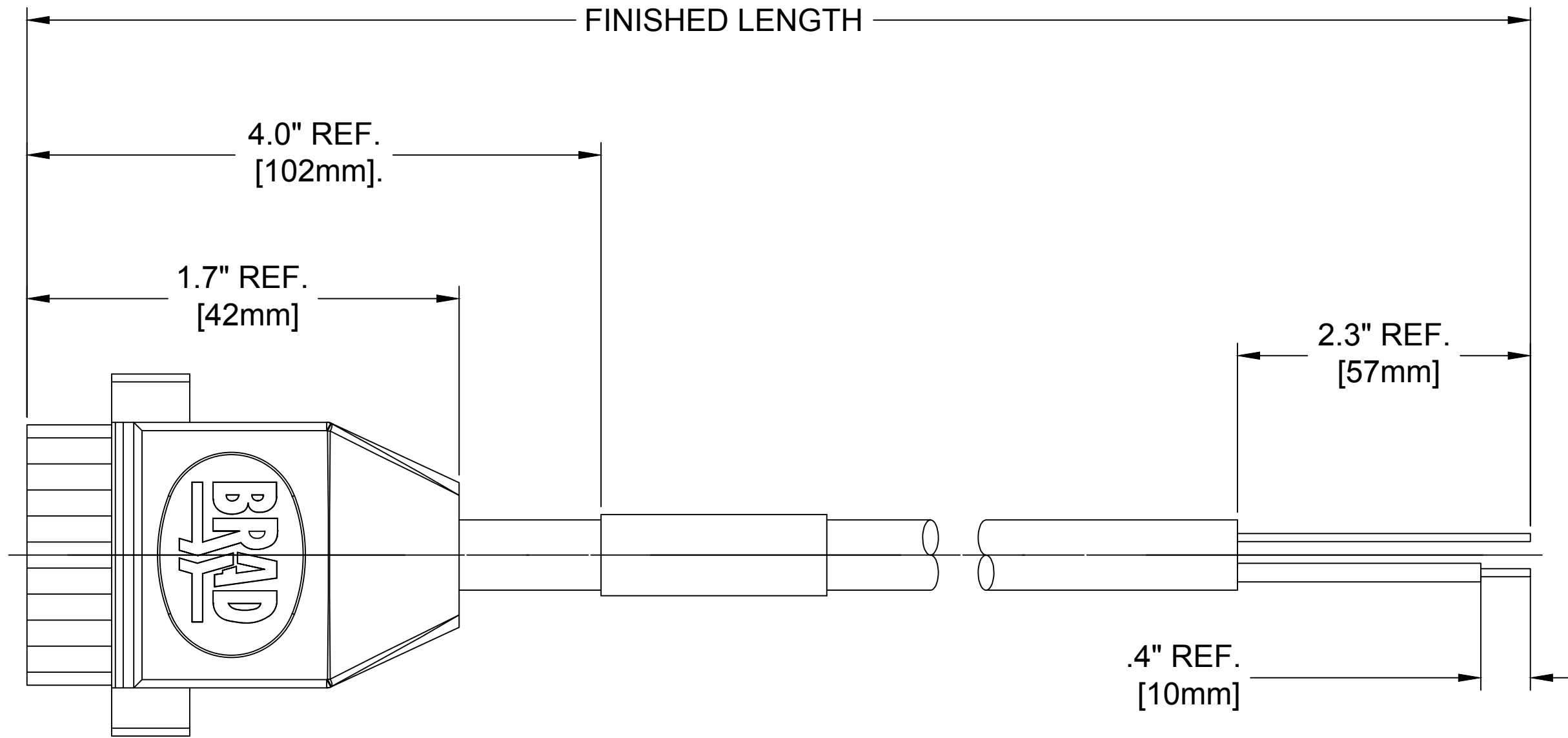
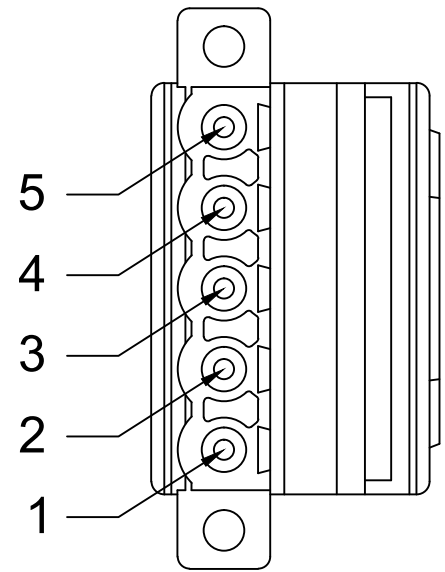


| | | | | | | | | | | | | |
|-----------------|----|--------------------|----|---------------------------------|---|---|---|---|---|---|---|---|
| 13 | 12 | 11 | 10 | 9 | 8 | 7 | 6 | 5 | 4 | 3 | 2 | 1 |
| MATERIAL NUMBER | | ENGINEERING NUMBER | | FINISHED LENGTH | | | | | | | | |
| 1300390545 | | DNDF40-M010 | | 1M +55.6mm -0 [3.3FT +2.2IN -0] | | | | | | | | |

FEMALE FACE VIEW



SPECIFICATION DATA

| | | |
|---|--------------|--------------|
| ELECTRICAL DATA: MAX. VOLTAGE: 300 VAC MAX. CURRENT: 4 AMPS | | |
| ENVIRONMENTAL: PROTECTION IP20 TEMPERATURE RANGE: -20°C TO 80°C | | |
| CERTIFICATIONS: cCSAus FILE: LR6837 ASSEMBLY IS RoHS COMPLIANT. | | |
| LABEL | PLASTIC FILM | YELLOW |
| OVERMOLD | TPE | GRAY |
| D-NET OPEN CONNECTOR | POLYAMIDE | GRAY |
| SOCKET CONTACT | COPPER ALLOY | GOLD PLATING |
| CABLE #22/2 & #24/2 + DRAIN | TPE JACKET | GRAY |
| DESCRIPTION | MATERIAL | FINISH |

DNDF40-M010

Cable type
DEVICENET
(FLEX DROP)

cable length
M010----1 Meter
M100----10 Meter

FEMALE

WIRING DIAGRAM

| | |
|---|-------|
| 1 | DRAIN |
| 2 | RED |
| 3 | BLACK |
| 4 | WHITE |
| 5 | BLUE |

| | | | | | | | |
|--|--------------------|---|---|----------------------------------|---|----------------------------|---|
| RELEASE EC NO: IFCG2014-0701 DRWN: GGUSTAFS 2013/10/17 CH'KD: BARDEN APPR: BWOODMAN 2013/10/21 | DESCRIPTION REV | QUALITY SYMBOL | GENERAL TOLERANCES (UNLESS SPECIFIED) | DIMENSION STYLE | SCALE | DESIGN UNITS | THIRD ANGLE PROJECTION |
| | | $\nabla=0$ $\nabla C=0$ | mm INCH 4 PLACES ±--- ±--- 3 PLACES ±--- ±.005 2 PLACES ±0.13 ±.010 1 PLACE ±0.25 ±.020 | IN/MM | NTS | INCH | TITLE DEVICE-NET OPEN W/SCREWS 5P FEMALE OPEN DEVICENET FLEX DROP |
| | | ANGULAR ±.5° DRAFT WHERE APPLICABLE MUST REMAIN WITHIN DIMENSIONS | DRAWN BY DATE GGUSTAFS 2013/10/17 CHECKED BY DATE BARDEN 2013/11/11 APPROVED BY DATE BWOODMAN 2013/10/21 | MATERIAL NO. SEE CHART | DOCUMENT NO. SD-130039-056 | SHEET NO. 1 OF 1 | |
| | | A | | SIZE | THIS DRAWING CONTAINS INFORMATION THAT IS PROPRIETARY TO MOLEX INCORPORATED AND SHOULD NOT BE USED WITHOUT WRITTEN PERMISSION | | |