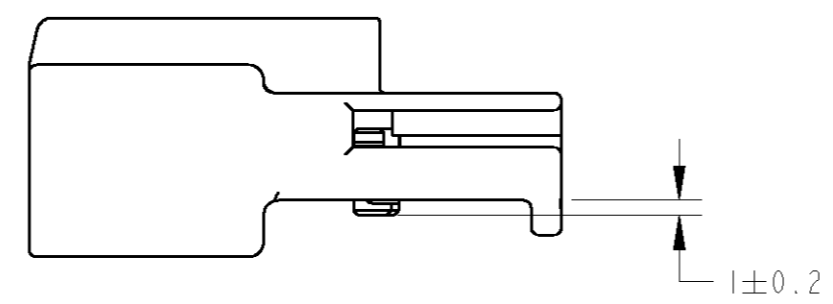
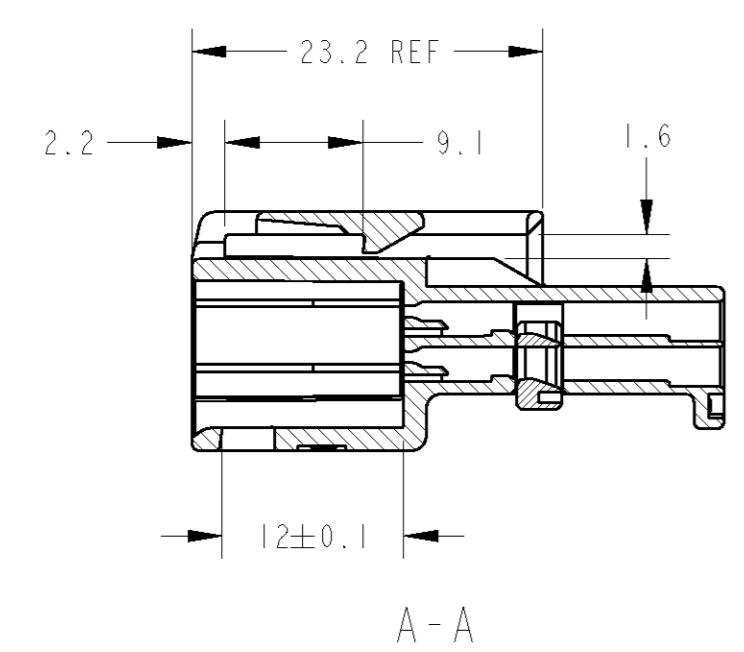
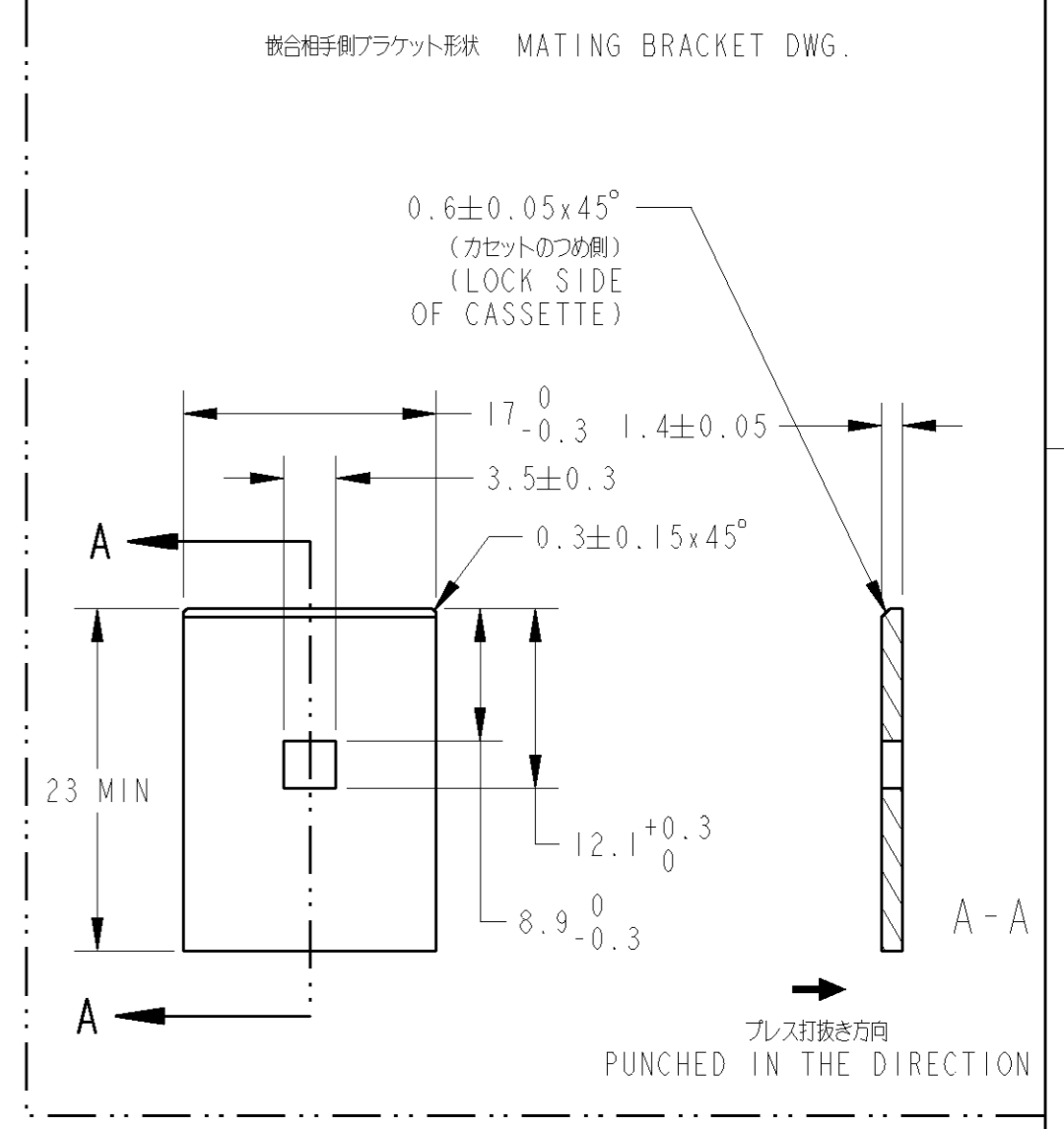
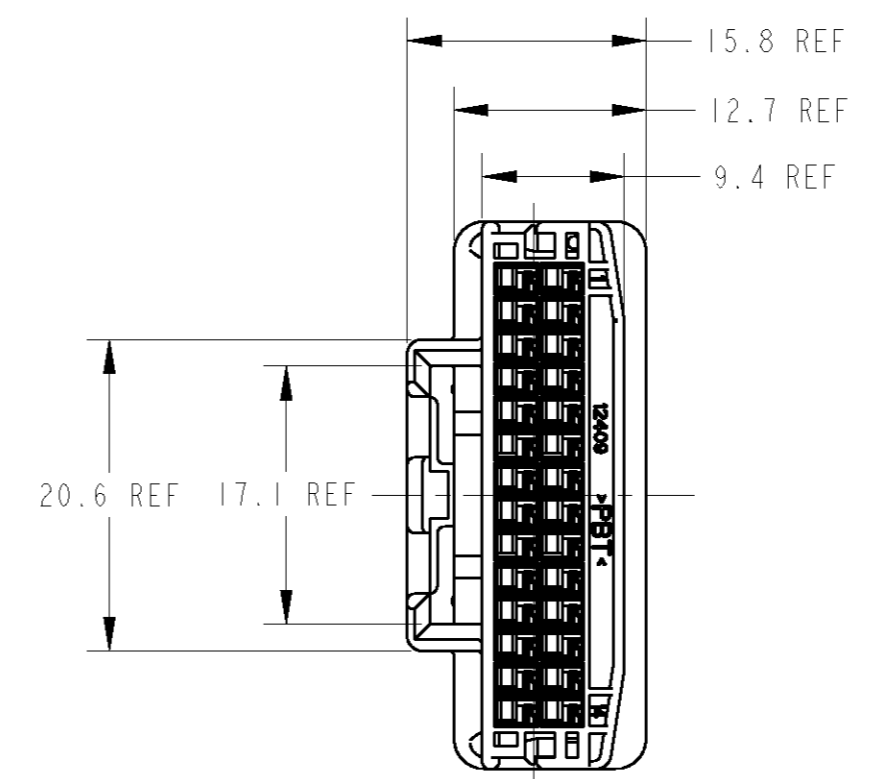
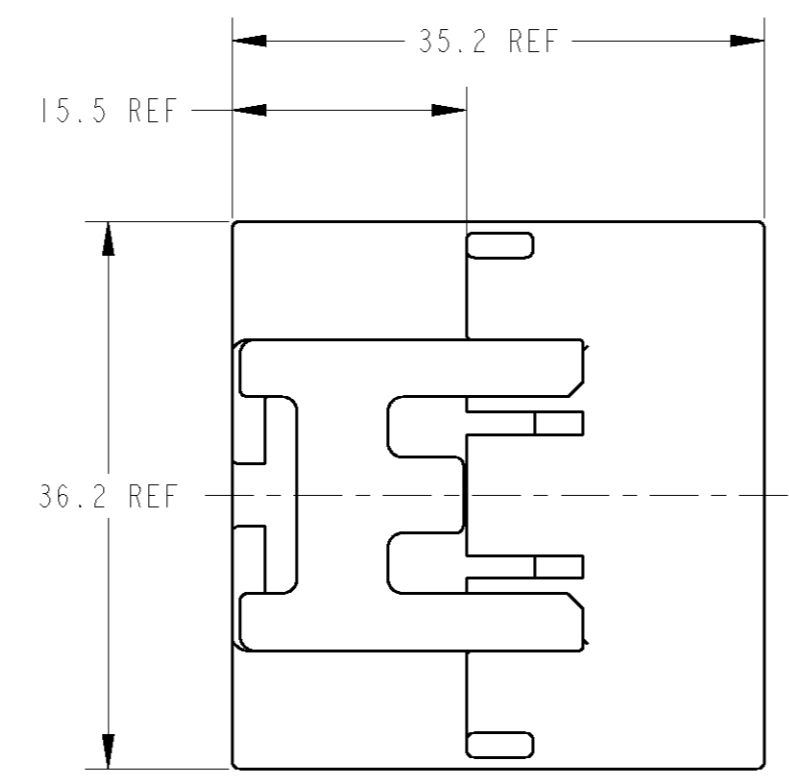
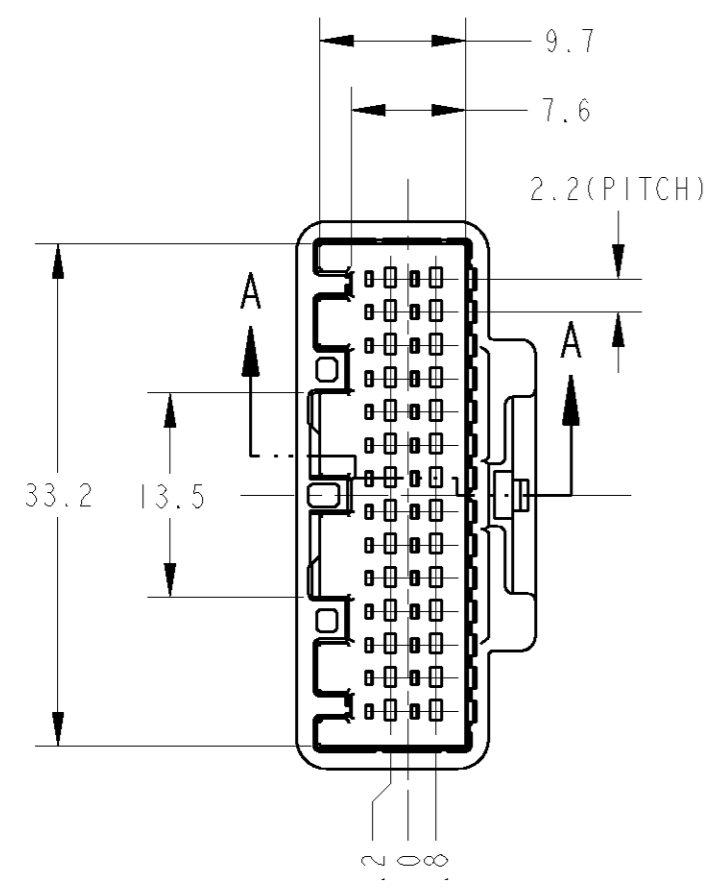


REVISONS					
P	LTR	DESCRIPTION	DATE	DWN	APVD
0		RELEASED	FJA0-0255-03	01MAY03	KF KA



1. プラグハウジングにリテーナーを仮係止して出荷される。
 2. 仮係止時リテーナーがハウジングの外側に出ていること。
 3. リテーナーの仮係止保持力は、30N以上
 4. 取扱説明書No : 411-5996
 5. 嵌合相手型番は TABLE-1参照
 6. 本製品の適応端子は TABLE-2参照
1. RETAINER SHOULD BE SET TO THE PRE-ASSEMBLY POSITION WITHIN THE PLUG HOUSING WHEN SHIPPED TO THE CUSTOMER.
 2. THE RETAINER MUST BE OUT SIDE OF PLUG HOUSING WHEN PRE-ASSEMBLY.
 3. RETAINER RETENTION FORCE FROM HOUSING : 30N MIN
 4. INSTRUCTION SHEET NO : 411-5996
 5. PART NUMBER OF PLUG HOUSING TO BE MATED : SEE TABLE-1
 6. APPLIED TERMINAL OF THIS PART : SEE TABLE-2

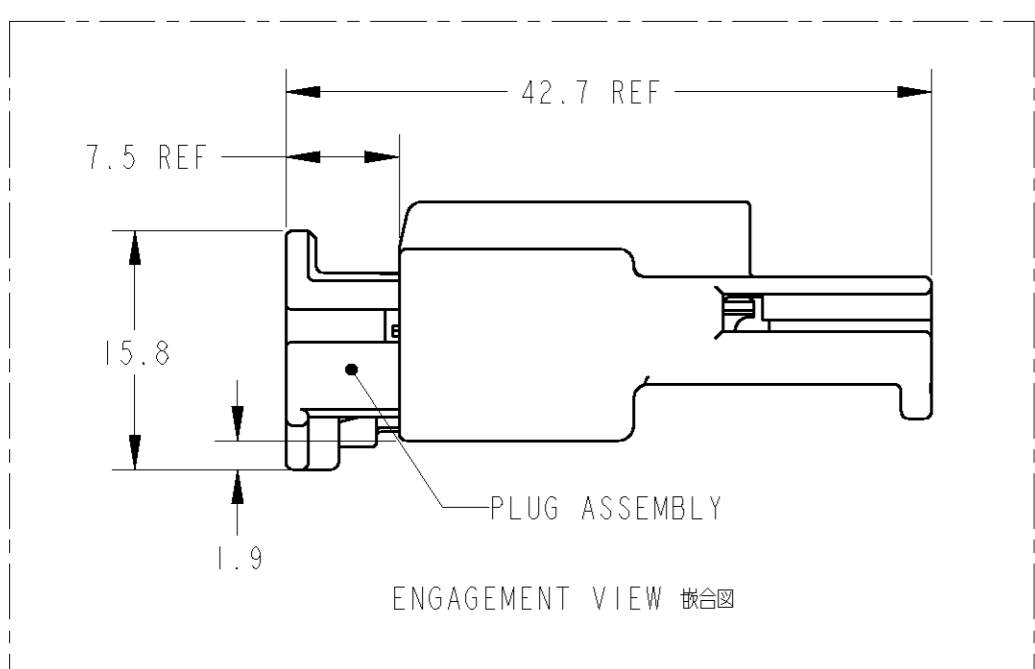


TABLE-1

POS 極数	DESCRIPTION	PLUG ASSEMBLY PART NO. プラグ 型番
28	CRIMP	1565380-1

TABLE-2

SIGNAL	TIN	POS 極数	APPLIED TERMINAL 適応端子		APPLICABLE WIRE RANGE 適応電線
			DESCRIPTION	AMP P/N	
025		28	CRIMP	1376109-1	AVSS/CAVUS 0.3~0.5mm ² AVSSH-f 0.3~0.5mm ² CAVS 0.22~0.5mm ²
				1473818-1	WIRE RANGE : 0.08mm ² INSULATION DIA : 1.1~1.4mm
				1565406-1	WIRE RANGE : 0.22mm ² INSULATION DIA : 0.8~1.2mm

THIS DRAWING IS A CONTROLLED DOCUMENT FOR TYCO ELECTRONICS CORPORATION
 IT IS SUBJECT TO CHANGE AND THE CONTROLLING ENGINEERING ORGANIZATION
 SHOULD BE CONTACTED FOR THE LATEST REVISION.

DIMENSIONS: mm

TOLERANCES UNLESS OTHERWISE SPECIFIED:
 一般公差: ±0.3
 0-PLC ±
 1-PLC ±0.5
 2-PLC ±0.13
 3-PLC ±0.013
 4-PLC ±0.0001
 ANGLES ±3°00'
 FINISH SEE TABLE

MATERIAL PBT

DWN K. FURUYAMA 01MAY03
 CHK S. HIRANUMA 01MAY03
 APVD K. ASAI 01MAY03

PRODUCT SPEC 108-5660
 APPLICATION SPEC 114-5276, 114-5291
 WEIGHT 7.68 g

PAPER BOX ダンボール箱
 PLASTIC BAG ビニール袋
 NATURAL (自然色) 1565377-1
 OUTER 外装
 INNER 内装
 HOUSING COLOR ハウジング色
 PACKING STYLE 梱包形態
 P/N 型番

tyco Tyco Electronics AMP K.K.
 Kawasaki, Japan

NAME 025 CONNECTOR 28POSITION
 CAP ASSEMBLY W-W (CRIMP AND IDC)

SIZE A2 CAGE CODE 00779 DRAWING NO. 1565377 RESTRICTED TO
 CUSTOMER DRAWING SCALE 2:1 SHEET 1 OF 1 REV 0