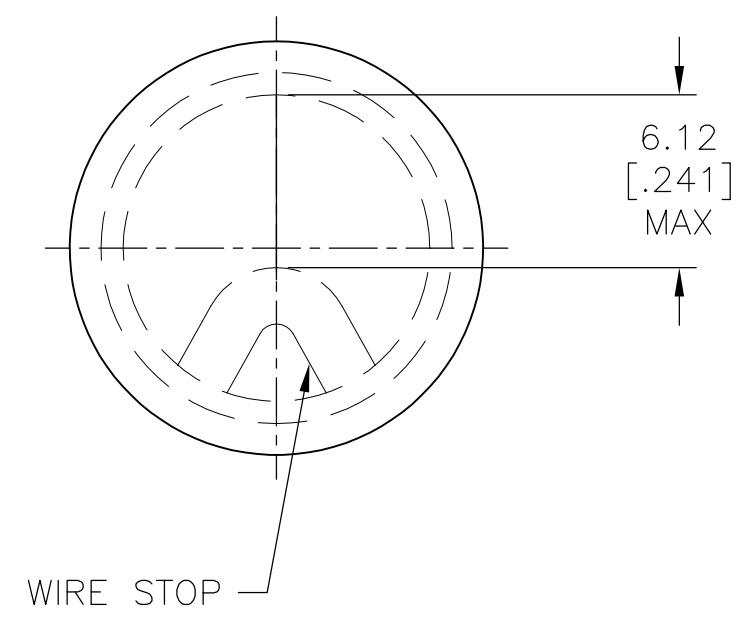
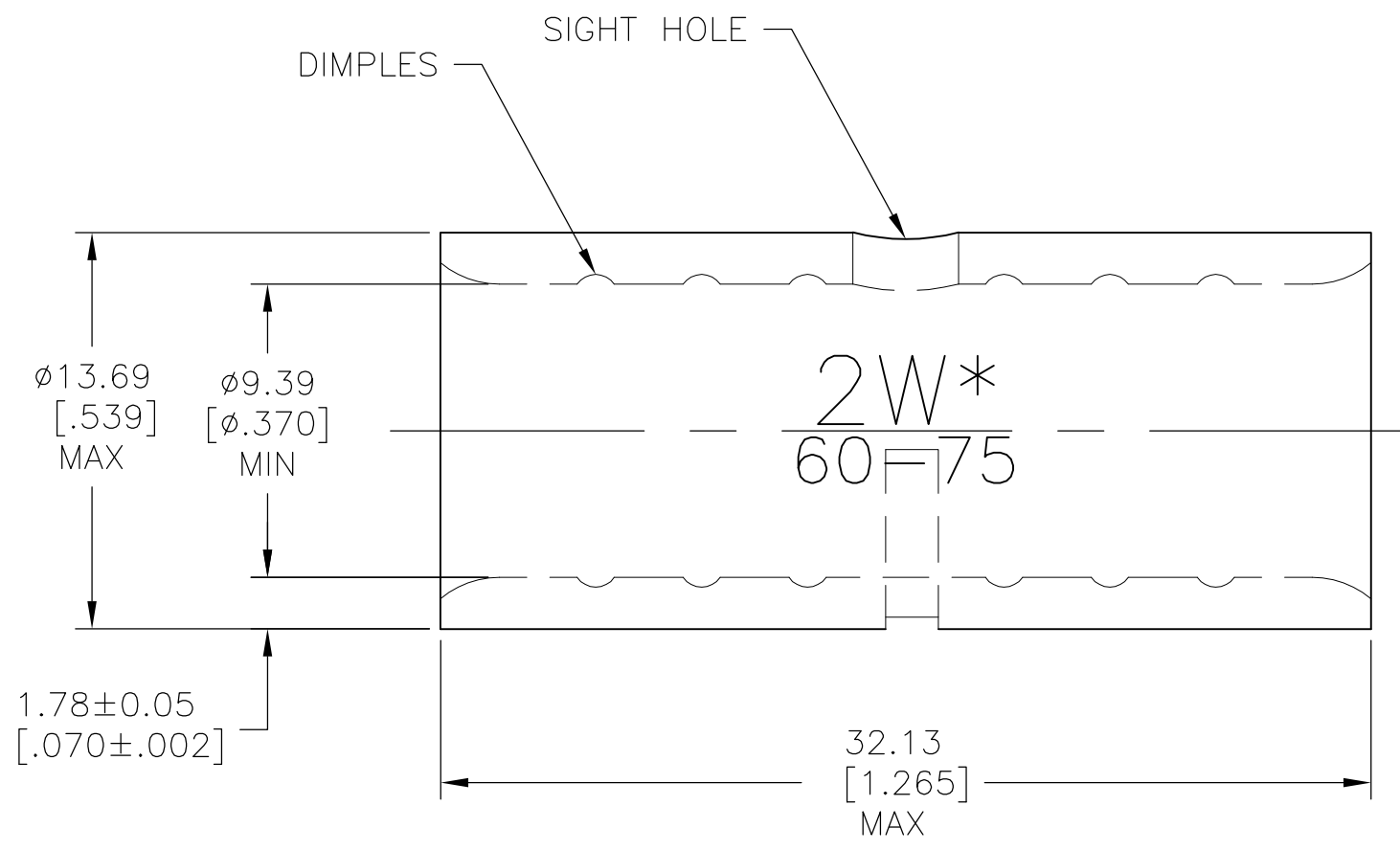


THIS DRAWING IS UNPUBLISHED. RELEASED FOR PUBLICATION
 © COPYRIGHT - By - ALL RIGHTS RESERVED.

LOC	DIST	REVISIONS			
P	LTR	DESCRIPTION	DATE	DWN	APVD
G	-	B1	REDRAWN PER ECO-12-018518	24OCT12	KH DR

- △ 1 MATERIAL: COPPER PER ASTM B152
- △ 2 FINISH: TIN PLATE PER ASTM B545



AMP INCORPORATED CUSTOMER SERVICE SYSTEMS	
FOR ADDITIONAL PRODUCT INFORMATION OR COPIES OF DRAWINGS AND TECHNICAL DOCUMENTS	PRODUCT INFORMATION CENTER 1-800-522-6752
FOR APPLICATION TOOLING INFORMATION	TOOLING ASSISTANCE CENTER 1-800-722-1111
FOR ORDER ENTRY	1-800-526-5142

MAX RECOMMENDED OPERATING TEMPERATURE: 170°C [338°F]
VOLTAGE RATING: N/A
WIRE: 26.7-42.4mm ² [52,600-83,700]CIR MILLS SOLID OR STRANDED

THIS DRAWING IS A CONTROLLED DOCUMENT.	
DIMENSIONS: mm [INCHES]	TOLERANCES UNLESS OTHERWISE SPECIFIED:
	0 PLC ± - 1 PLC ± - 2 PLC ± - 3 PLC ± - 4 PLC ± - ANGLES ± -
MATERIAL	FINISH
△ 1	△ 2

DWN	24OCT12
KIRAN HOLAL	
CHK	24OCT12
ROHDE DANIEL	
APVD	24OCT12
ROHDE DANIEL	
PRODUCT SPEC	
APPLICATION SPEC	
WEIGHT	-

TE Connectivity			
NAME WIRE SPLICE, SOLISTRAND-BUTT WIRE SIZE-2 AWG			
SIZE	CAGE CODE	DRAWING NO	RESTRICTED TO
A3	00779	C-322246	-
CUSTOMER DRAWING		SCALE	SHEET
		1:1	1 OF 1
		REV	B1