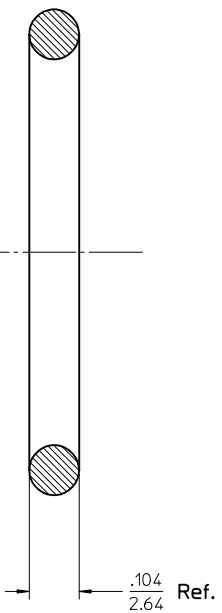
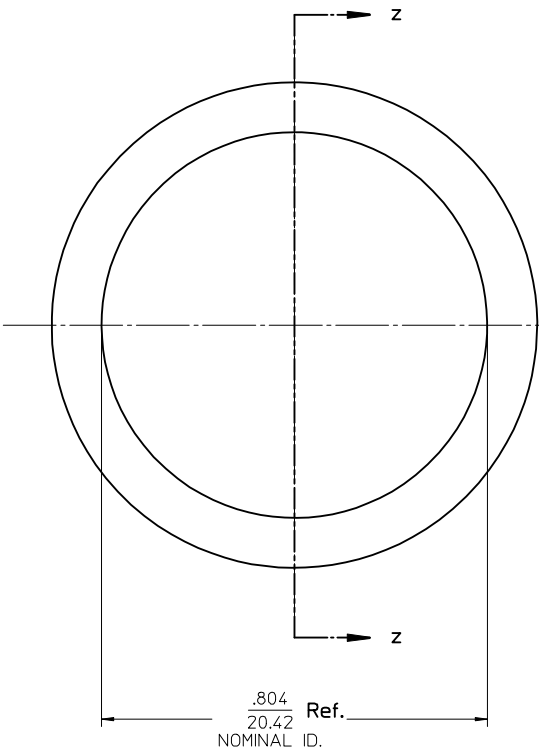
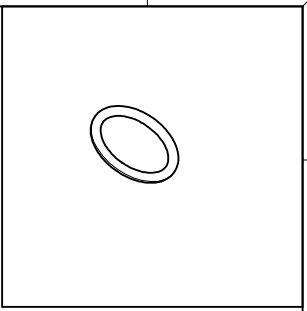


Section z-z

MATERIAL No.	OLD PART No.	MATERIAL	FINISH
1301800314	00-0820	NEOPRENE	BLACK

ENTER DESCRIPTION EC NO: WNA2009-0746 DRWINAKUMAR01 2009/05/21 CHKD: APPR: JFMURPHY 2009/06/10	DESCRIPTION REV:	QUALITY SYMBOLS ▽=0 ▽=0	GENERAL TOLERANCES (UNLESS SPECIFIED) <table border="1"> <tr> <th></th> <th>mm</th> <th>INCH</th> </tr> <tr> <td>4 PLACES</td> <td>± .10</td> <td>± .004</td> </tr> <tr> <td>3 PLACES</td> <td>± .15</td> <td>± .006</td> </tr> <tr> <td>2 PLACES</td> <td>± .20</td> <td>± .008</td> </tr> <tr> <td>1 PLACE</td> <td>± 0.3</td> <td>± .012</td> </tr> </table> ANGULAR ±1/2°		mm	INCH	4 PLACES	± .10	± .004	3 PLACES	± .15	± .006	2 PLACES	± .20	± .008	1 PLACE	± 0.3	± .012	DIMENSION STYLE IN/MM DRAWN BY: NKUMAR01 DATE: 2009/05/21 CHECKED BY: BWOODMAN DATE: 2009/05/21 APPROVED BY: JFMURPHY DATE: 2009/05/21	SCALE 5:1 DESIGN UNITS INCH THIRD ANGLE PROJECTION	TITLE O-RING .804 ID X .104 THK
			mm	INCH																	
		4 PLACES	± .10	± .004																	
		3 PLACES	± .15	± .006																	
2 PLACES	± .20	± .008																			
1 PLACE	± 0.3	± .012																			
DRAFT WHERE APPLICABLE MUST REMAIN WITHIN DIMENSIONS		MATERIAL NO. 9999999999	DOCUMENT NO. SD-130180-314	SHEET NO. 1 OF 1																	
SIZE C		THIS DRAWING CONTAINS INFORMATION THAT IS PROPRIETARY TO MOLEX INCORPORATED AND SHOULD NOT BE USED WITHOUT WRITTEN PERMISSION																			
A																					



Section z-z

MATERIAL No.	OLD PART No.	MATERIAL	FINISH
1301800314	00-0820	NEOPRENE	BLACK

ENTER DESCRIPTION EC NO: WNA2009-0746 DRWINAKUMAR01 2009/05/21 CHKD: APPR: JFMURPHY 2009/06/10	DESCRIPTION REV: A	QUALITY SYMBOLS ▽=0 ▽=0	GENERAL TOLERANCES (UNLESS SPECIFIED)	DIMENSION STYLE IN/MM	SCALE 5:1	DESIGN UNITS INCH	THIRD ANGLE PROJECTION														
		<table border="1"> <tr> <th></th> <th>mm</th> <th>INCH</th> </tr> <tr> <td>4 PLACES</td> <td>± .010</td> <td>± .0004</td> </tr> <tr> <td>3 PLACES</td> <td>± .015</td> <td>± .0006</td> </tr> <tr> <td>2 PLACES</td> <td>± .020</td> <td>± .0008</td> </tr> <tr> <td>1 PLACE</td> <td>± 0.3</td> <td>± .012</td> </tr> </table>		mm	INCH	4 PLACES	± .010	± .0004	3 PLACES	± .015	± .0006	2 PLACES	± .020	± .0008	1 PLACE	± 0.3	± .012	DRAWN BY: NKUMAR01 DATE: 2009/05/21 CHECKED BY: BWOODMAN DATE: 2009/05/21 APPROVED BY: JFMURPHY DATE: 2009/05/21	TITLE: O-RING .804 ID X .104 THK		
			mm	INCH																	
		4 PLACES	± .010	± .0004																	
3 PLACES	± .015	± .0006																			
2 PLACES	± .020	± .0008																			
1 PLACE	± 0.3	± .012																			
DRAFT WHERE APPLICABLE MUST REMAIN WITHIN DIMENSIONS			MATERIAL NO. 9999999999		MOLEX INCORPORATED		SHEET NO. 1 OF 1														
THIS DRAWING CONTAINS INFORMATION THAT IS PROPRIETARY TO MOLEX INCORPORATED AND SHOULD NOT BE USED WITHOUT WRITTEN PERMISSION				DOCUMENT NO. SD-130180-314																	