

MATERIALS AND FINISHES

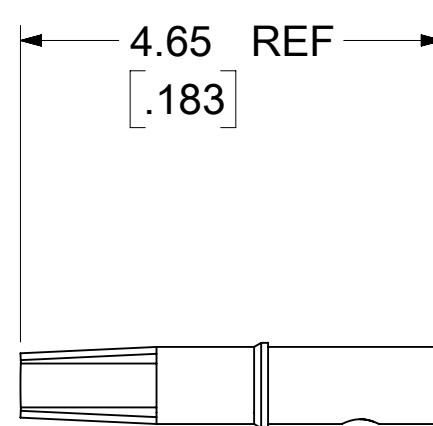
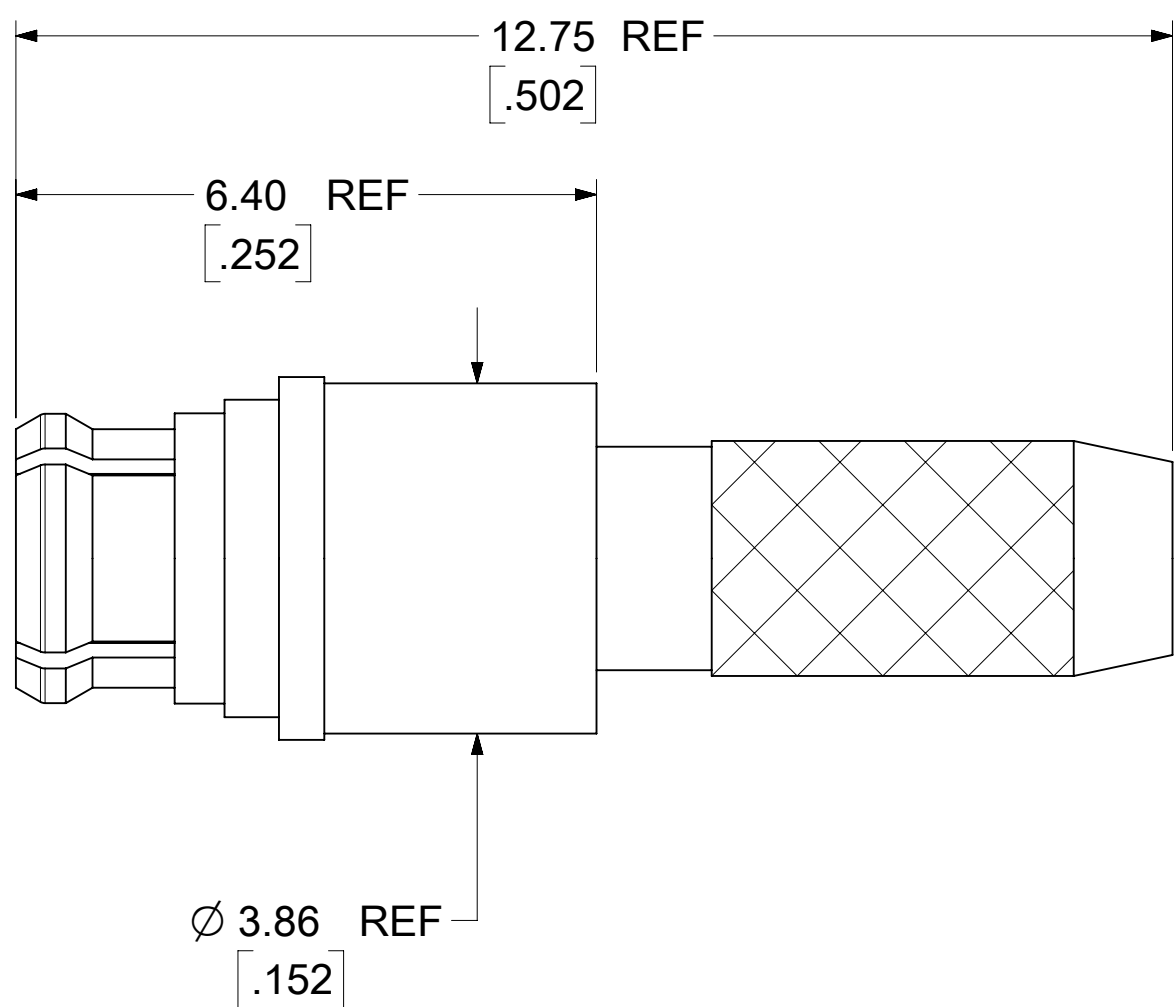
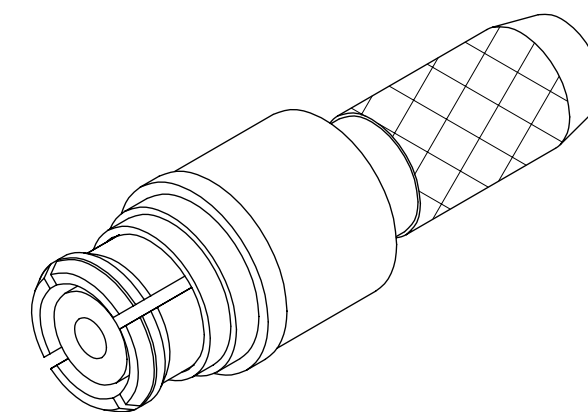
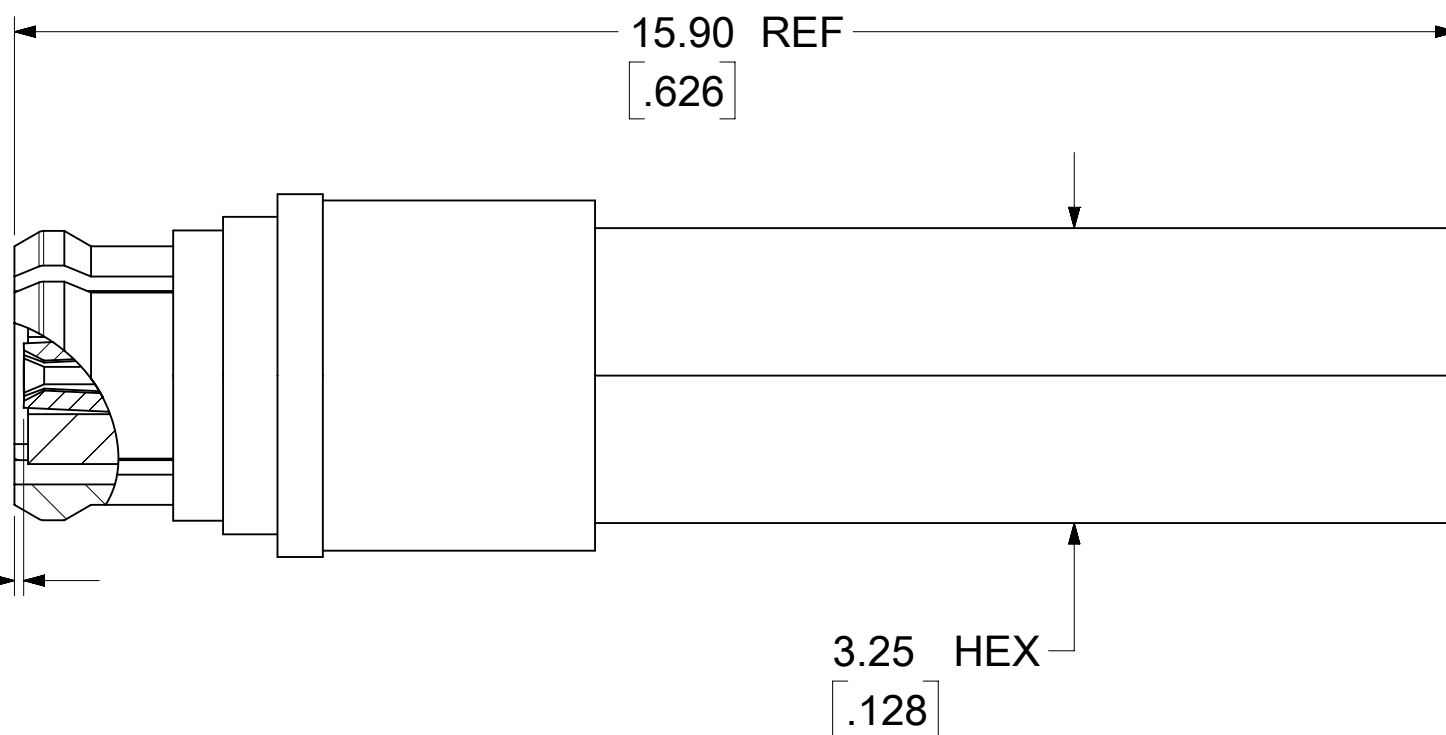
BODY: BERYLLIUM COPPER  
PLATED GOLD

CENTER CONTACT: BERYLLIUM COPPER  
PLATED GOLD

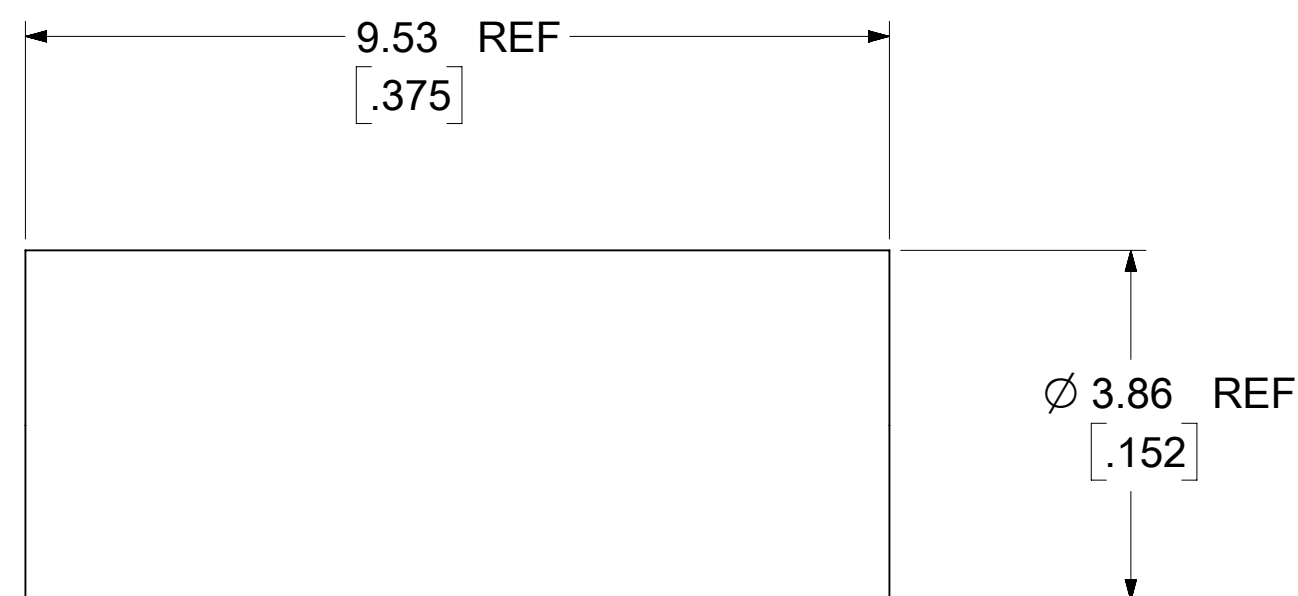
INSULATOR: TEFLON

CRIMP TUBE: BRASS  
PLATED NICKEL

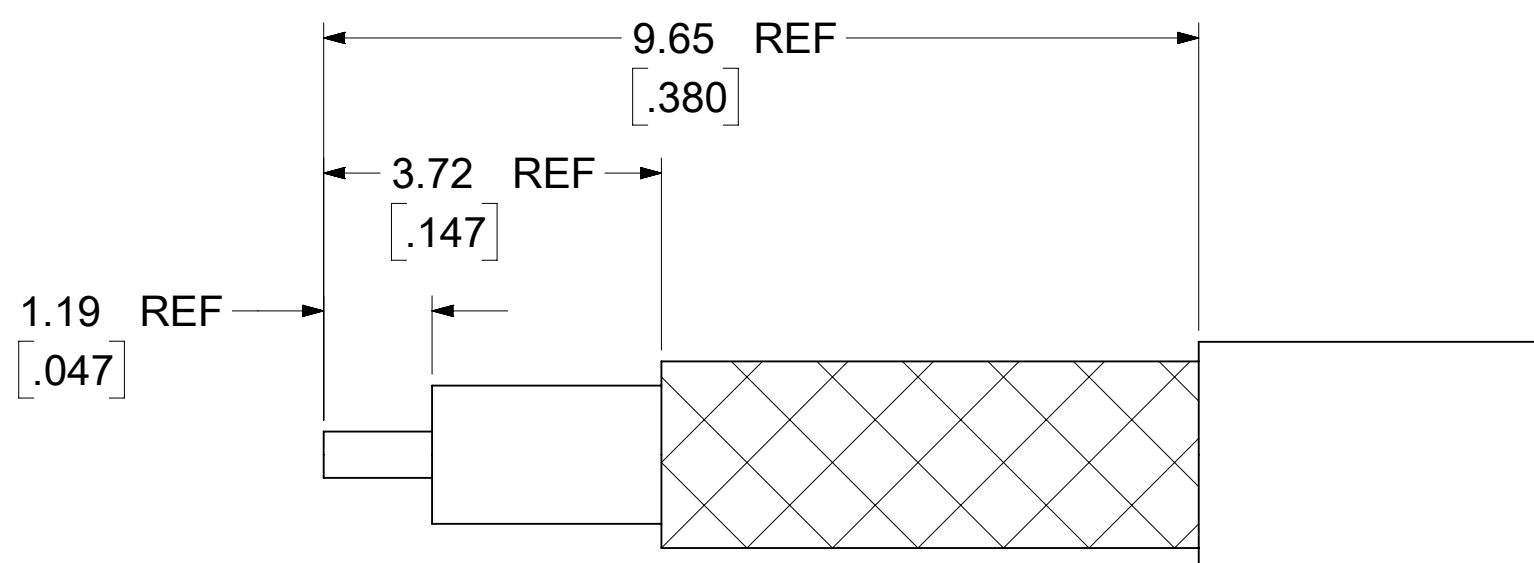
EMI RING: BRASS  
PLATED GOLD



CENTER CONTACT



CRIMP TUBE



RECOMMENDED CABLE  
STRIP DIMENSIONS

73415-4811	ONE PER BAG	895420470
73415-4810	TRAY	895420040
PART #	PACKAGING	PACKING SPEC

MIL-STD-348A, FIG. 326.1a	INTERFACE
SPECIFICATION	DESCRIPTION

FUNCTIONAL SYMBOLS	THIS DRAWING CONTAINS INFORMATION THAT IS PROPRIETARY TO MOLEX ELECTRONIC TECHNOLOGIES, LLC AND SHOULD NOT BE USED WITHOUT WRITTEN PERMISSION													
	FA = 0	DIMENSION UNITS	SCALE	CURRENT REV DESC:							<b>molex</b>			
EA = 0	MM/INCH	NTS	EWR # 15321-E ADDED -4811 PART NO											
EC = 0	GENERAL TOLERANCES (UNLESS SPECIFIED)			EC NO: 718007							SMP JACK, STR, 50 OHMS FOR RG316 CABLE SMP-JC			
EP = 0	ANGULAR TOL ± 2.0°			DRWN: JSU18 2022/08/11										
DIVISIONAL SYMBOLS	4 PLACES ±			CHK'D: YCHENG 2022/08/24							PRODUCT CUSTOMER DRAWING			
	3 PLACES ±			APPR: YCHENG 2022/08/24										
	2 PLACES ±			INITIAL REVISION:							DOCUMENT NUMBER			
	1 PLACE ±			DRWN: AROBERTSON 2008/09/23										
0 PLACES ±			APPR: JWIENER 2008/09/23							SD-73415-481		DOC TYPE	DOC PART	REVISION
DRAFT WHERE APPLICABLE MUST REMAIN WITHIN DIMENSIONS			THIRD ANGLE PROJECTION	DRAWING	SERIES	MATERIAL NUMBER	CUSTOMER	SHEET NUMBER						
				C-SIZE	73415		GENERAL MARKET	1 OF 1						