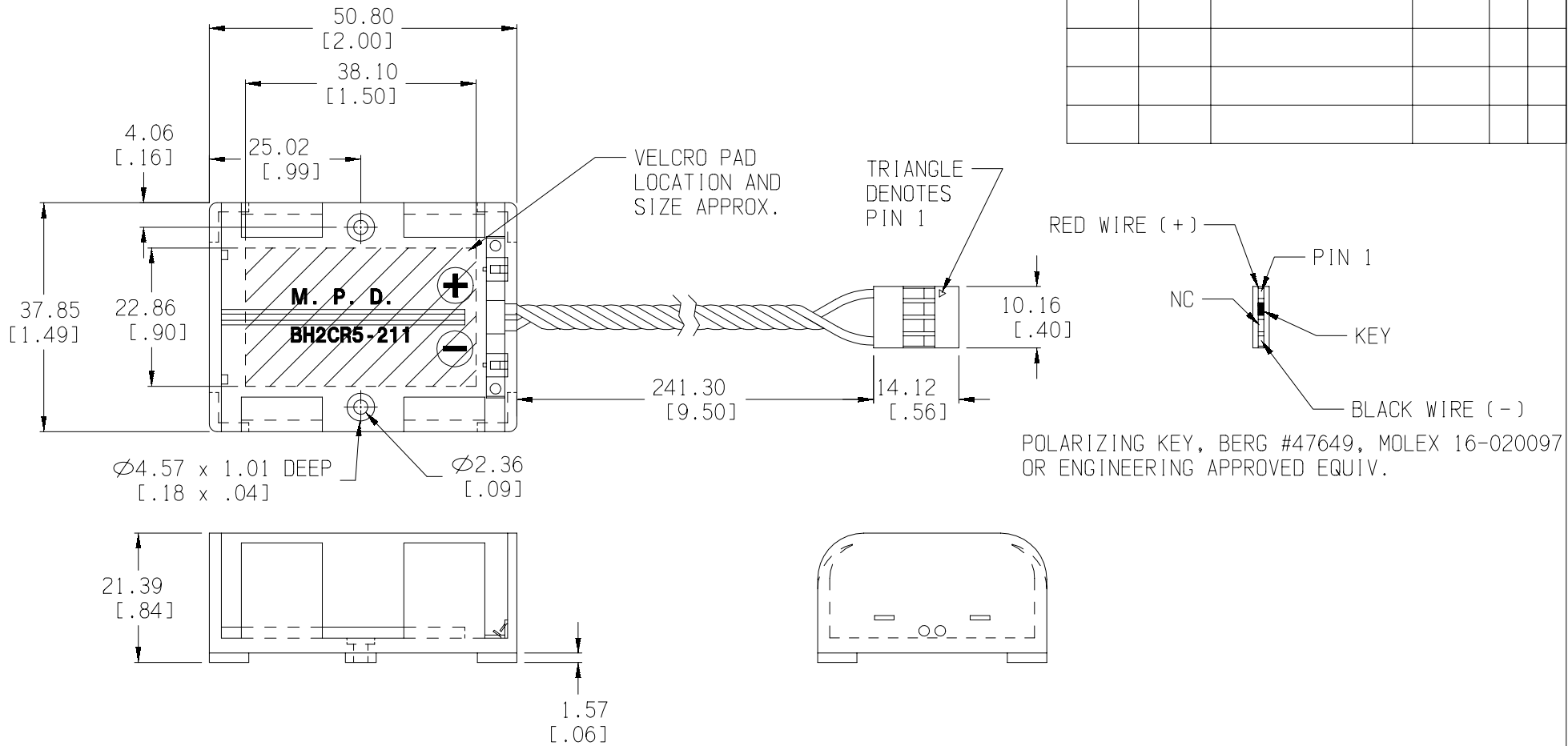



Date	SYM	REVISION RECORD	AUTH	DR.	CK.



NOTES:

MATERIAL:

HOUSING: HIGH IMPACT ABS, BLACK, UL94V-0
 TEMP. RANGE: -40°C TO +110°C
 POWER CONTACTS: PHOSPHORUS BRONZE HV190,
 NICKLE PLATED
 WIRE: 24AWG PVC, UL1007, #E41396, CSA #TR-64
 80°C 300V, RED (+), BLACK (-), AWM VW-1, TWISTED
 CONNECTOR: BERG, MOLEX OR EQUIV.
 BERG #65039-033, MOLEX #50-57-9004 OR EQUIV.
 FEMALE 4-PIN CONNECTOR. PIN CENTERS=.100".
 CONTACTS: BERG, MOLEX OR EQUIV.
 BERG #47565, MOLEX #16-02-0097
 SELECT GOLD IN MATING AREA, NICKLE PLTD. OVERALL.

Tolerance (Inches)	 Memory Protection Devices, Inc. 200 Broad Hollow Road, Farmingdale, New York 11735		
Decimal	±.5 (.020)	Scale	Drawn By B.S.
Fractional	± .8 (.030)	Approved By T.B.	
Angular	± 3°	Date	Drawing Number
		04/02/01	BH2CR5-211