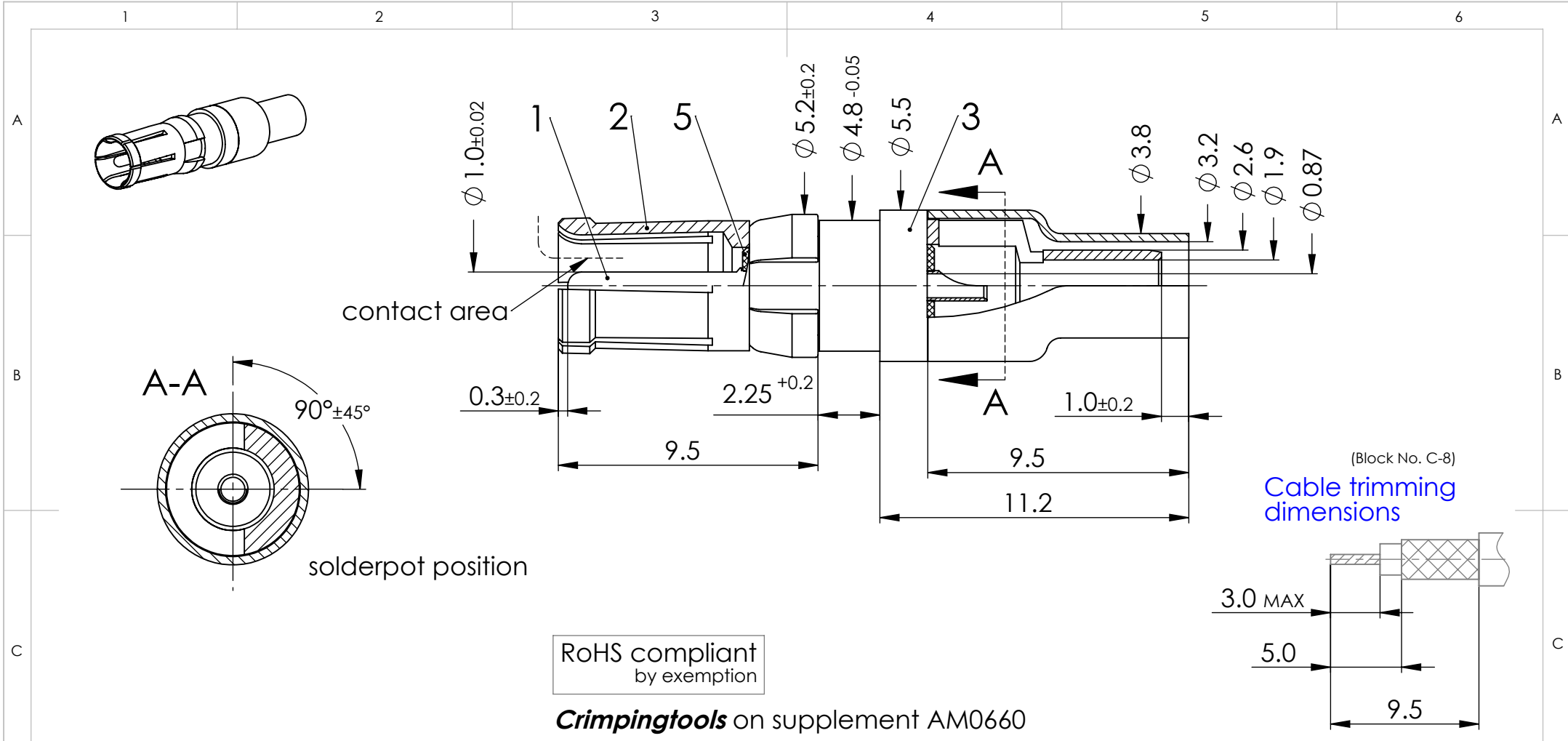


COMMENT:  
 ALL RIGHTS ARE RESERVED BY US FOR THIS DRAWING. WITHOUT OUR PRIOR CONSENT,  
 IT MAY NEITHER BE DUPLICATED NOR MADE AVAILABLE TO A THIRD PARTY,  
 AND IT ALSO MAY NOT BE IMPROPERLY USED BY THE RECEIVER, OR A THIRD PARTY.



RoHS compliant  
by exemption

**Crimpingtools** on supplement AM0660

Material-No.	Surface + Finish
1731120630	101
1727040133	102
-	111
1731140033	128
-	181
1731121743	202

SYMBOLS										THIS DRAWING CONTAINS INFORMATION THAT IS PROPRIETARY TO MOLEX ELECTRONIC TECHNOLOGIES, LLC AND SHOULD NOT BE USED WITHOUT WRITTEN PERMISSION									
DIMENSION UNITS		SCALE		FOR		CABLE				 <b>FCT Coaxial Contact</b>									
mm		5:1		D-Sub		RG174U, RG188AU, RG316U													
UNLESS OTHERWISE SPECIFIED DIMENSIONS FOR REFERENCE ONLY				CURRENT REVISION						<b>PRODUCT CUSTOMER DRAWING</b>									
				DRWN: DRAWN BY		FVetter		29-08-2019											
				APPR: APPR BY		MTeubel		31-10-2019		<b>see table</b>									
				INITIAL REVISION															
MATERIAL + FINISH SEE EXTRA SHEET				DRWN: DRAWN BY		ffuhrmann		07-07-2006		<b>1 OF 3</b>									
				APPR: APPR BY		msteinbrueck		07-07-2006											
REPLACEMENT FOR:		THIRD ANGLE PROJECTION		DRAWING		IMPEDANCE		DOCUMENT NUMBER		CUSTOMER		SHEET NUMBER							
				A4-SIZE		50 Ohm		FMX006S		GENERAL MARKET		1 OF 1							