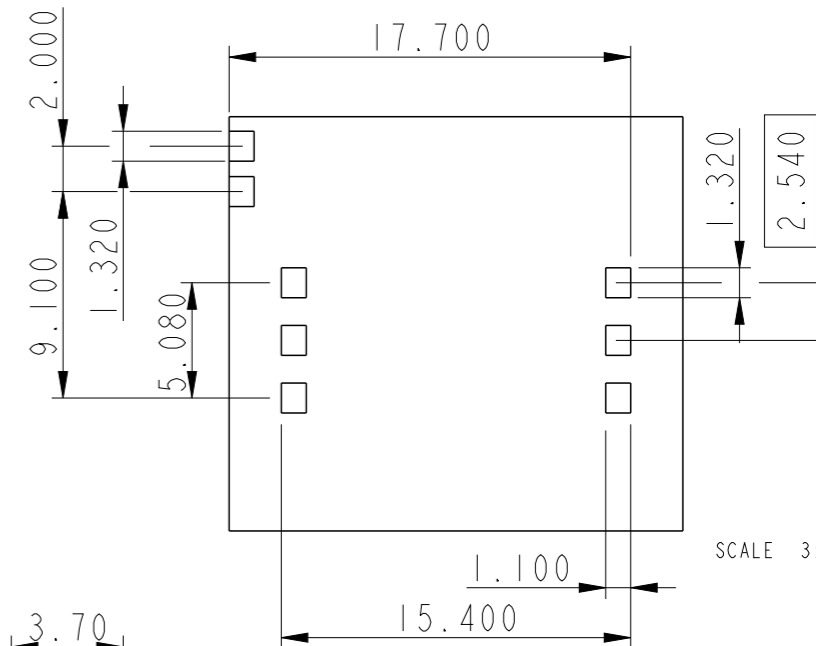
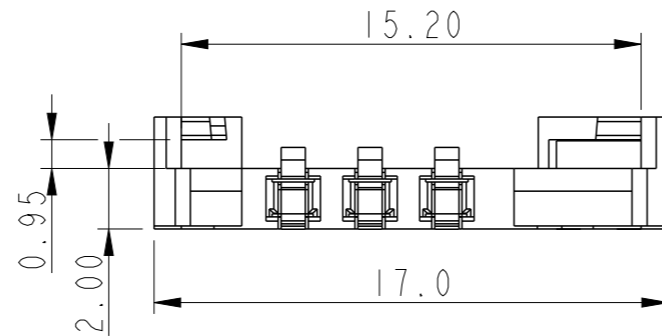
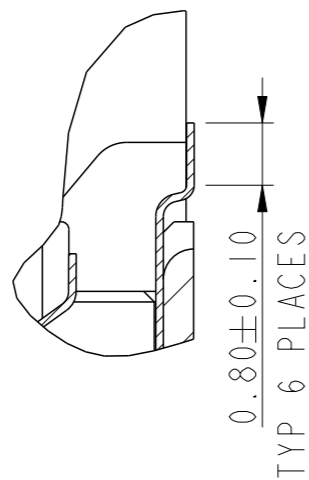


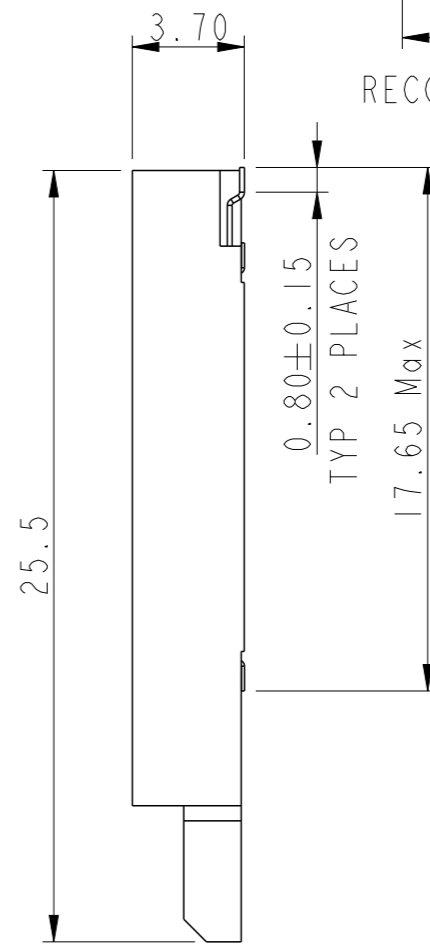
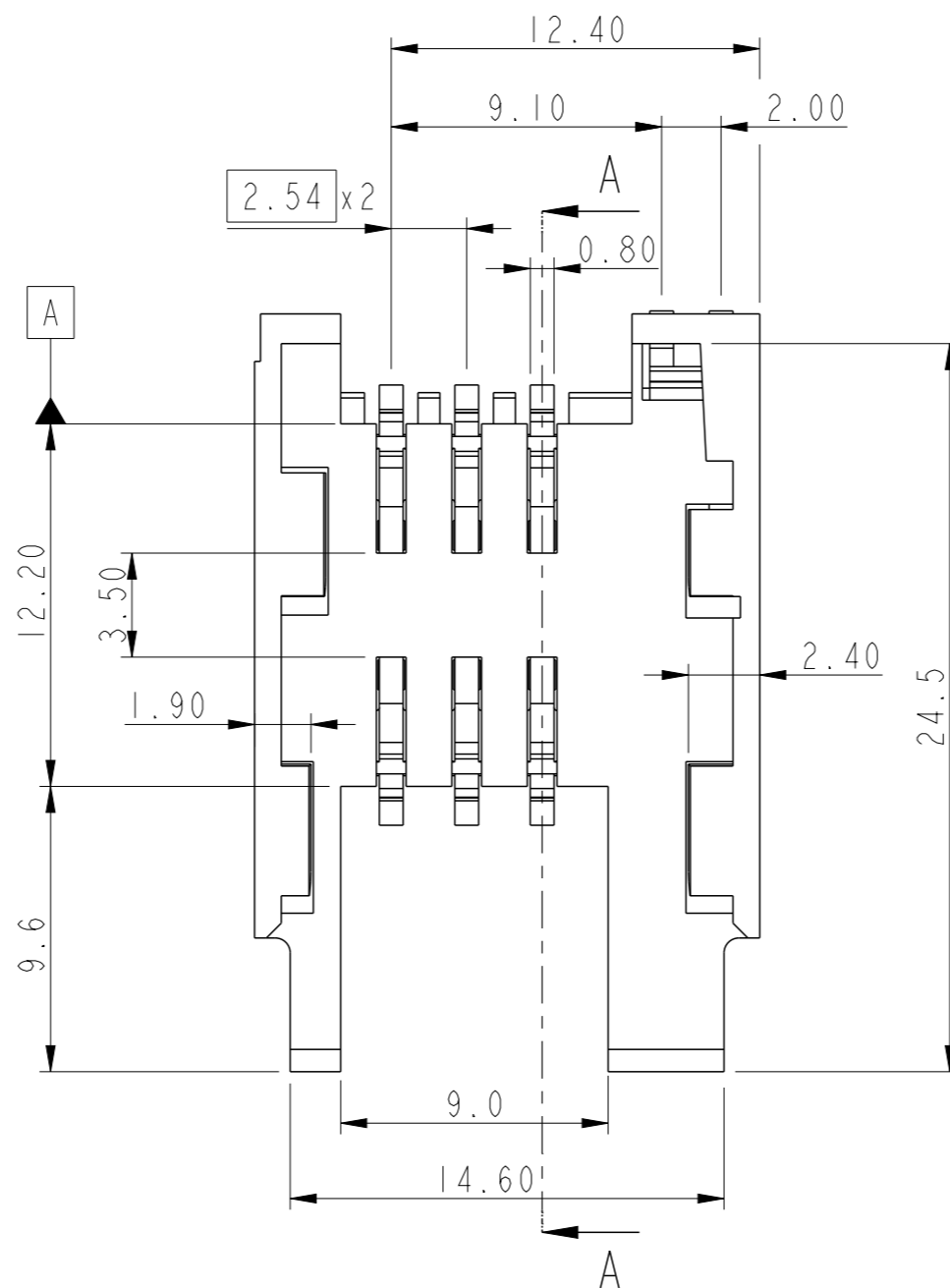
PART NUMBER

7111SI615A01LF

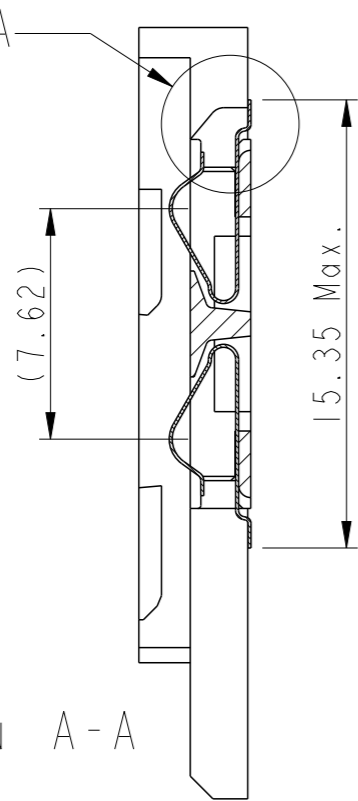
DETAIL A  
SCALE 10:1



RECOMMENDED PCB LAYOUT



SEE DETAIL A



SECTION A-A

NOTE:

"This product meets European Union Directives and other country regulations as described in GS-47-0004"

The housing will withstand exposure to 260°C peak temperature for 10seconds in a convection reflow oven.

PROCESSING

Ni 2 micrometer  
Gold 2.5 µm/Equivalent PdNi over Ni on contact area  
Output : Matte tin 2.5 µm

spec ref	--	dr	P-Mathew Nebu	2011/05/10	projection	mm	size	A3	scale	4:1	
tolerance std	ISO 406 ISO 1101	eng	P-Mathew Nebu	2017/09/07		← →	ecn no	ELX-I-27477-1			
TOLERANCES UNLESS OTHERWISE SPECIFIED		chr	-	-			rel level	Released			
surface	linear	appr	K-Paul Biju	2017/09/09	product family	MOBILE IO	dwg no	VJW53943		rev	G
ISO 1302	angular				cat. no.	SEE NOTES	Product - Customer Drw	sheet 1 of 1			