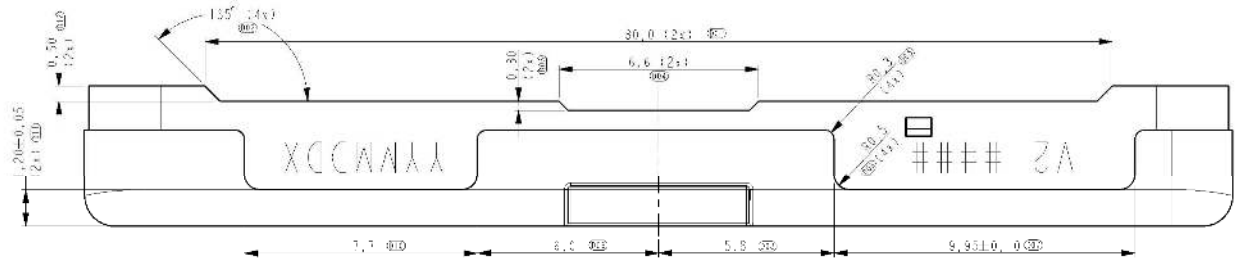
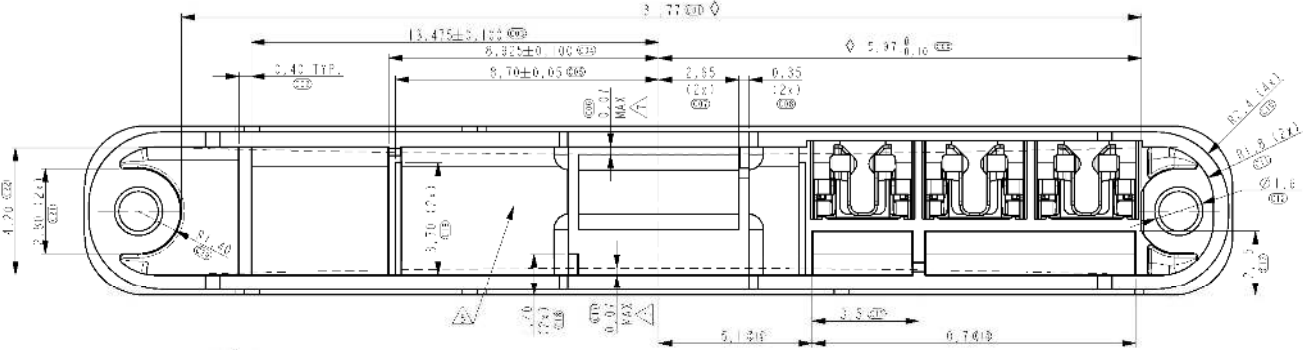
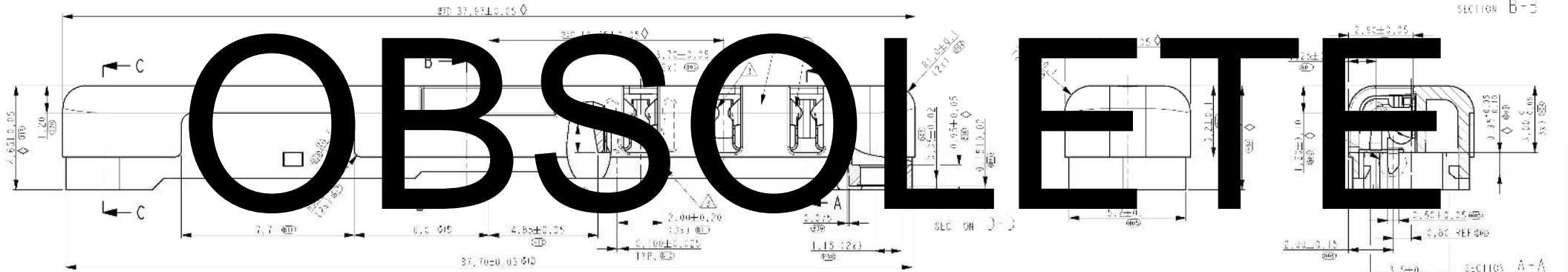
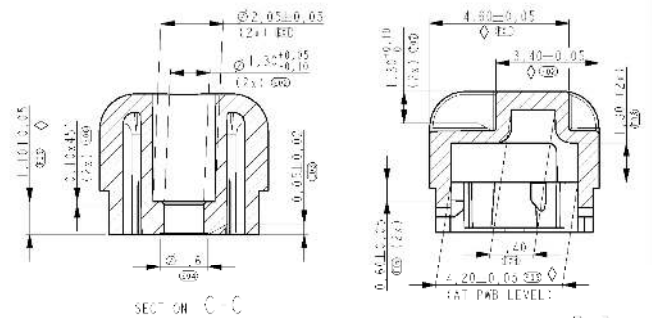
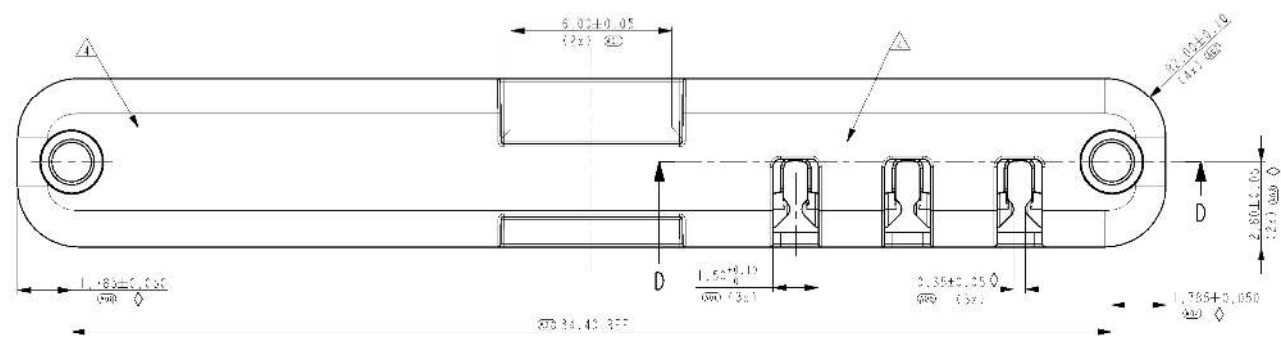


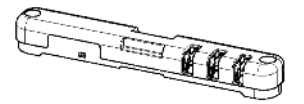
THIS DRAWING IS A CONTROLLED DOCUMENT. IF PAPER FOR IDENTIFICATION ALL RIGHTS RESERVED.

REV.	DATE	DESCRIPTION	BY	CHK	APP
1		FIRST ISSUE			
2		WHITE B ANNOTS ADDED			
3		CHANGE DIM A04, A07, A08, 50 & Y2			
A		ECN-12-000325			



NOTES:

- 1 PART NUMBER 2 73225
- 2 DRAWING REPRESENTS PART VERSION 'V2'
- PLATING:
 - 1,2µm P.N. H CHEL ALL OVER
 - 0,8µm P.N. H GOLD ON CONTACT POINTS
 - 3,0µm P.N. H H ON SOLDER AREA
- SURFACE TEXTURE Ra 1,6µm (100). TEXTURE SPARK ERODED ACCORDING TO VDI 3400-24/27
- COLOR: BLACK (PANTONE 3,2X)
- MARKING: GOLD CAN TYPE IDENTIFICATION
- MARKING: VEPS ON PROCESS ID (####)
- MARKING ON DATE (#####)
- MARKING NOT IN CONFORMITY WITH
- MAXIMUM WARPAGE: HEAD ONLY



ITEM NO.	DESCRIPTION	MATERIAL	FINISH
2	CONTACT	COPPER ALLOY	GOLD PLATED
	FOCUSING	PA 612 35X GP	

THIS DRAWING IS A CONTROLLED DOCUMENT.		REV. 21-JU-1	 TE Connectivity
DESIGNER: P. Rossi	DATE: 21-JU-1	APP. P. Rossi	
CHK. P. Rossi	DATE: 21-JU-1	APP. P. Rossi	
DATE: 21-JU-1	DATE: 21-JU-1	DATE: 21-JU-1	
PRODUCT SPEC: 108 19276	APPLICATION SPEC:	REV. 00778	RECEIPTACLE CONNECTOR 3 POSITION, PL-60-1436 BATTERY BLOCK
ACCENT: 520 mg	DATE CODE: 00778	DRAWING NO: C=2173225	RESTRICTION: -
CUSTOMER DRAWING	REV. 8	SHEET 07	REV. A