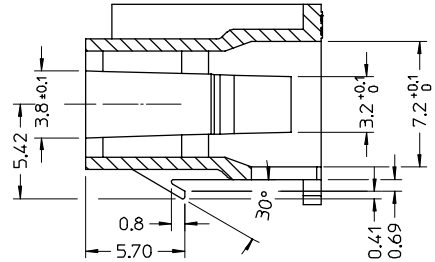
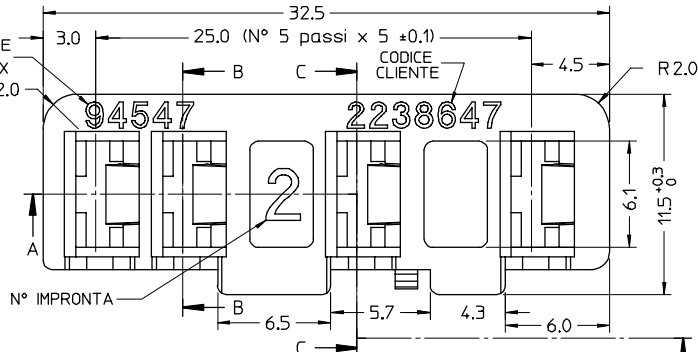
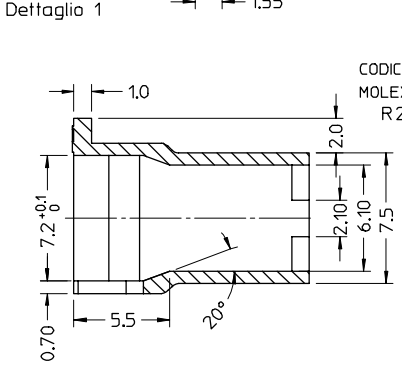
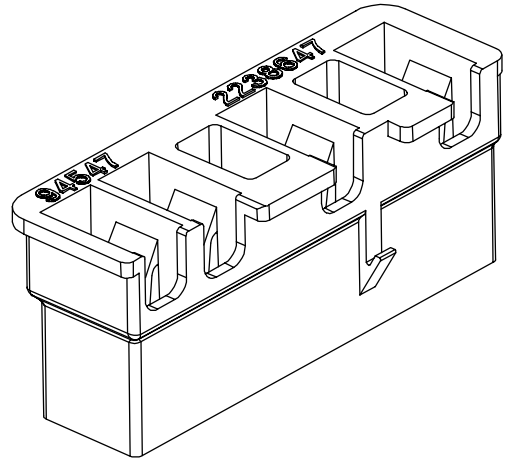
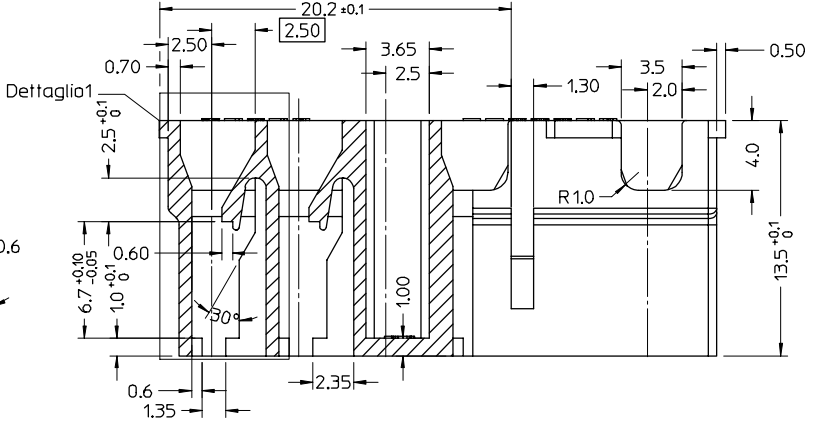
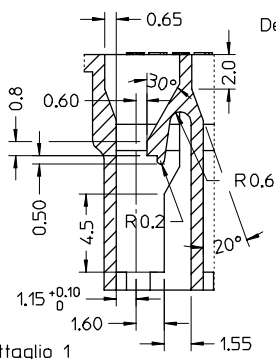


13 12 11 10 9 8 7 6 5 4 3 2 1



NOTE:  
 DA USARSI CON TERMINALE 94536-1100  
 SEZ. FILO MAX CONSIGLIATA 1.0 mmq  
 CARICO DI RITENZIONE DEL TERMINALE 70 N MIN.  
 MATERIALE: NORYL GTX4110 10% F.V COLORE NERO (GWT 750°C FIAMMA  
 MAX 2 SECONDI SECONDO IEC 60335-1 4° EDIZIONE)  
 SFORZO DI INSERIZIONE CONNETTORE (4 TERMINALI)  
 CON CONTROPARTE 12 Kg MAX.

CONFEZIONE: SCIOLTI IN SACCHETTI DENTRO  
 SCATOLA DI CARTONE SPQ: 4000 pz.

Std.Description: "HOUSING FOR TERM 4.8X0.8 4CKT"

EC NO: Z2003-0122 DRAWN: FGOTTARDI 2003/01/09 CHKD: MTESTAGU 2003/01/09 APPR: GZUIN 2003/01/09	QUALITY SYMBOLS ▽ = 0 ∇ = 0	GENERAL TOLERANCES (UNLESS SPECIFIED)		SCALE 5:1	DESIGN UNITS METRIC	FIRST ANGLE PROJECTION	REVISE ON CAD ONLY	
		4 PLACES ± --- ± ---	3 PLACES ± --- ± ---	DIMENSION STYLE MM ONLY		TITLE HOUSING 4 CKT VARIABLE PITCH		
		2 PLACES ± 0.10 ± ---	1 PLACE ± 0.2 ± ---	DRAWN BY FGOTTARDI	DATE 2002/03/18	MOLEX INCORPORATED		
		ANGULAR ± 2 °		CHECKED BY MTESTAGU	DATE 2002/03/18	MATERIAL NO. 94547-9004	DOCUMENT NO. SD-94547-001	SHEET NO. 1 OF 1
A1	REV	DRAFT WHERE APPLICABLE MUST REMAIN WITHIN DIMENSIONS		APPROVED BY GZUIN DATE 2002/03/18		THIS DRAWING CONTAINS INFORMATION THAT IS PROPRIETARY TO MOLEX INCORPORATED AND SHOULD NOT BE USED WITHOUT WRITTEN PERMISSION		

12 11 10 9 8 7 6 5 4 3 2 1