

MATERIALS AND FINISHES

BODIES, C'NUT, BACK NUT: BRASS
PLATED TIN OVER NICKEL

GROUND SPRING: BERYLLIUM COPPER
PLATED NICKEL

INSULATORS (UL94 V-0): PBT (BLACK)

O-RINGS: SILICONE RUBBER

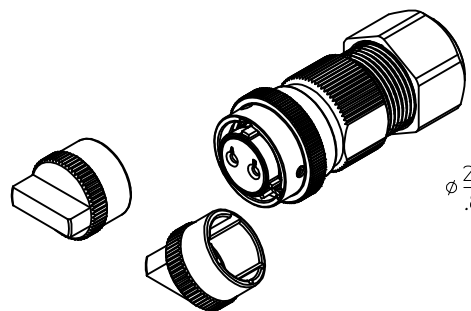
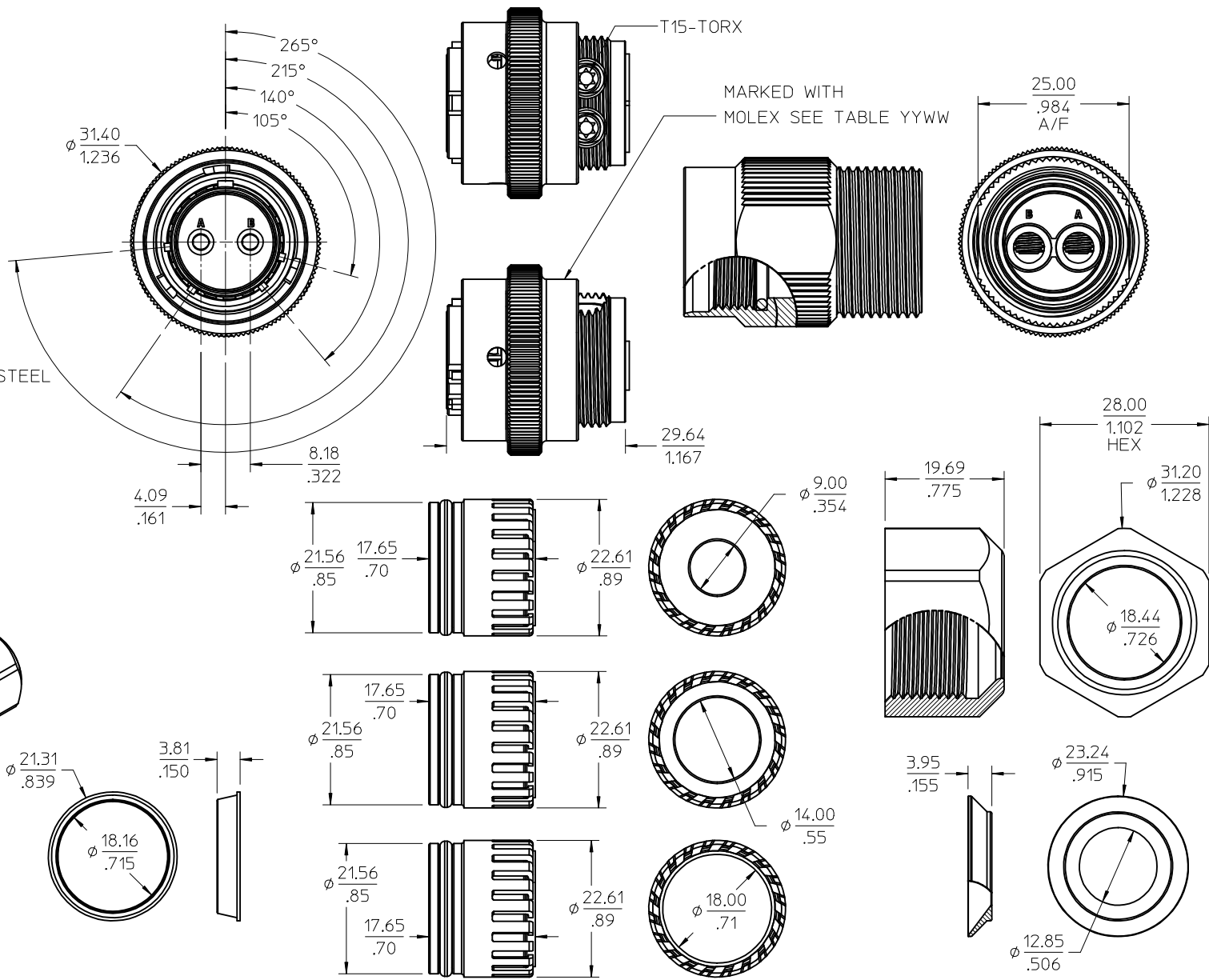
EMI RING, CONIC WASHER: STAINLESS ST.
PASSIVATED

WAVE WASHER, RETAINING RING: CARBON STEEL

CAP/TOOL: ABS OR PBT (BLACK)

CONTACT: PHOSPHOR BRONZE
PLATED GOLD (SEE TABLE)

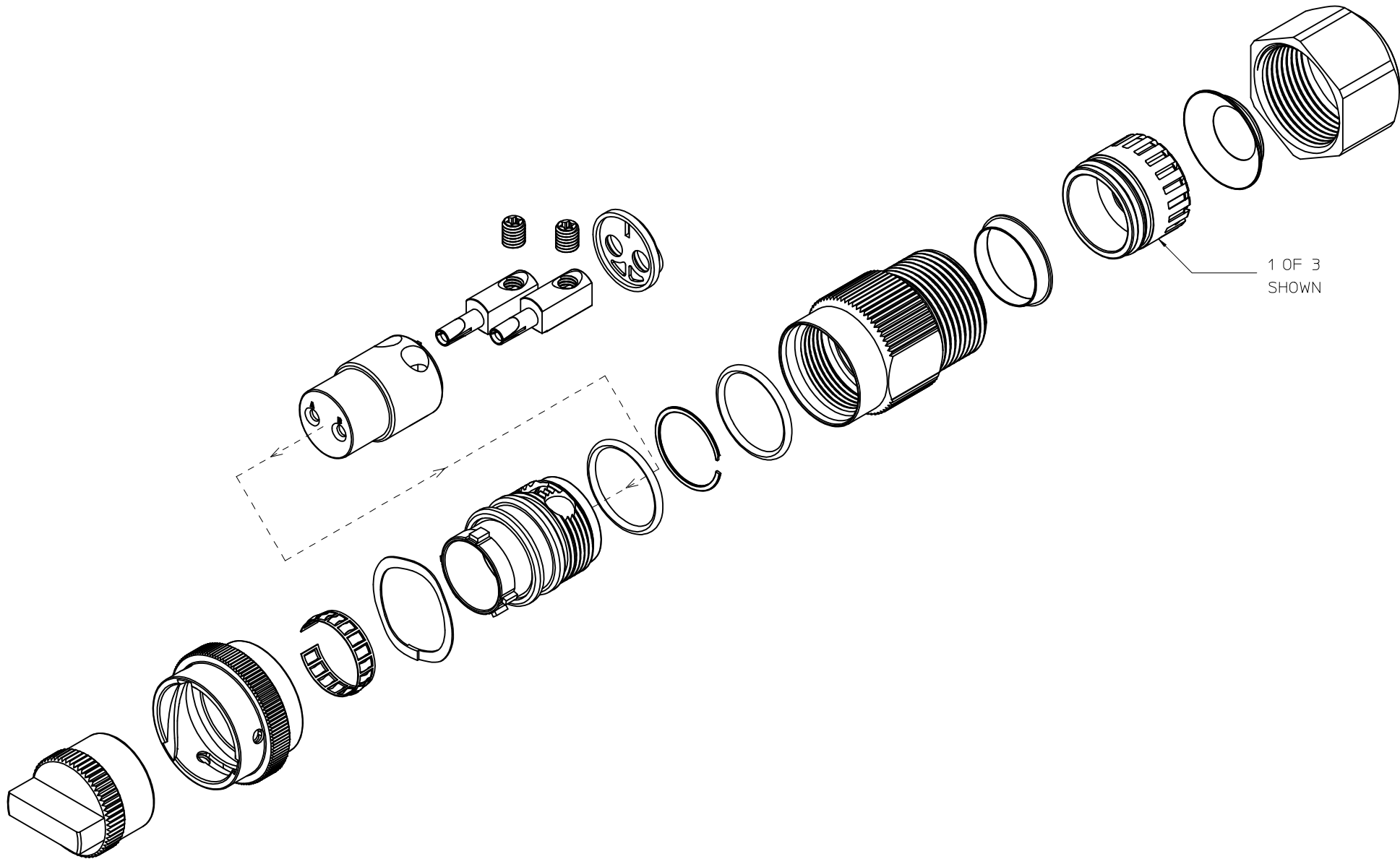
GLAND ASSEMBLY: PA66
AND SILICONE RUBBER



73415-8051	8 μ-in MIN
73415-8050	30 μ-in MIN
PART NO.	GOLD
& MARKING	THICKNESS

AS-89675-4410	CABLE ASSY INSTRUCTION
SPECIFICATION	DESCRIPTION

CHG: ADDED TABULATION FOR GOLD & MARKING. EC NO: URF2014-0397 DRAWN: ROBERTSON 2014/01/03 CHKD: JMW 2014/01/03 APPR: JWIENER 2014/01/03 REV: A1	QUALITY SYMBOLS ▽=0 ▽=0	GENERAL TOLERANCES (UNLESS SPECIFIED)	DIMENSION STYLE MM/IN	SCALE METRIC	DESIGN UNITS METRIC	THIRD ANGLE PROJECTION	
	DRAFT WHERE APPLICABLE MUST REMAIN WITHIN DIMENSIONS	4 PLACES ± --- ± --- 3 PLACES ± --- ± --- 2 PLACES ± --- ± --- 1 PLACE ± --- ± --- ANGULAR ± 2 °	DRAWN BY JWIENER DATE 2013/01/10 CHECKED BY SSS DATE 2013/01/10 APPROVED BY JWIENER DATE 2013/01/11	TITLE POWER CONNECTOR PLUG 2 POLE 48V VARIOUS CABLE EWR-5103 POWER-PC	MOLEX INCORPORATED	DOCUMENT NO. SD-73415-805	SHEET NO. 1 OF 2
	SEE TABLE	MATERIAL NO.	THIS DRAWING CONTAINS INFORMATION THAT IS PROPRIETARY TO MOLEX INCORPORATED AND SHOULD NOT BE USED WITHOUT WRITTEN PERMISSION				
	SIZE C						



CHG: SEE SHEET 1. EC NO: URF2014-0397 DRWN: ROBERTSON 2014/01/03 CHKD: JMW 2014/01/03 APPR: JWIENER 2014/01/03	DESCRIPTION REV A1	QUALITY SYMBOLS ▼=0 ▽=0	GENERAL TOLERANCES (UNLESS SPECIFIED) <table border="1"> <tr> <td></td> <td>mm</td> <td>INCH</td> </tr> <tr> <td>4 PLACES</td> <td>± .005</td> <td>± .0005</td> </tr> <tr> <td>3 PLACES</td> <td>± .005</td> <td>± .0005</td> </tr> <tr> <td>2 PLACES</td> <td>± .005</td> <td>± .0005</td> </tr> <tr> <td>1 PLACE</td> <td>± .005</td> <td>± .0005</td> </tr> </table>		mm	INCH	4 PLACES	± .005	± .0005	3 PLACES	± .005	± .0005	2 PLACES	± .005	± .0005	1 PLACE	± .005	± .0005	DIMENSION STYLE MM/IN DRAWN BY: JWIENER DATE: 2013/01/10 CHECKED BY: SSS DATE: 2013/01/10 APPROVED BY: JWIENER DATE: 2013/01/11	SCALE: METRIC DESIGN UNITS: METRIC THIRD ANGLE PROJECTION	TITLE: POWER CONNECTOR PLUG 2 POLE 48V VARIOUS CABLE EWR-5103 POWER-PC	MATERIAL NO.: SEE SHEET 1 DOCUMENT NO.: SD-73415-805	SHEET NO.: 2 OF 2
			mm	INCH																			
		4 PLACES	± .005	± .0005																			
		3 PLACES	± .005	± .0005																			
2 PLACES	± .005	± .0005																					
1 PLACE	± .005	± .0005																					
DRAFT WHERE APPLICABLE MUST REMAIN WITHIN DIMENSIONS			THIS DRAWING CONTAINS INFORMATION THAT IS PROPRIETARY TO MOLEX INCORPORATED AND SHOULD NOT BE USED WITHOUT WRITTEN PERMISSION																				