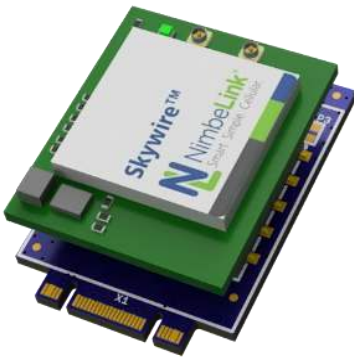
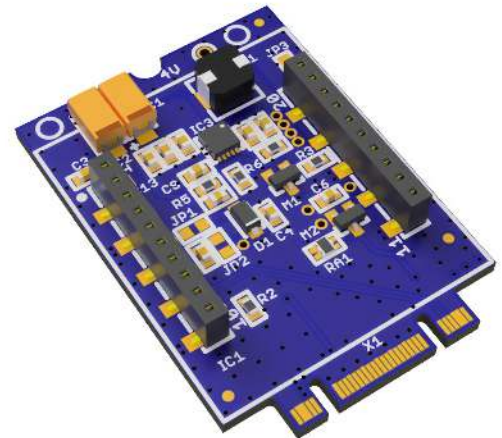




BRD-M2-X

The BRD-M2-X is a 30X42mm Key B M.2 form factor adapter board that adds cellular connectivity to any device with a compatible M.2 slot—embedded PCs, laptops, industrial tablets or custom PC boards--without the cost and delay of obtaining FCC and carrier certification. The adapter board accepts all the NimbeLink NL-SW series certified Skywire™ cellular modems (except the NL-SW-HSPA), which are the smallest in the industry. This standard M.2 adapter, with choice of compact Skywire modems, fits easily within most of today's miniaturized devices.

BRD-M2-X is fully backed by a 3-year warranty, technical support and application assistance from BiPOM Electronics, Inc.

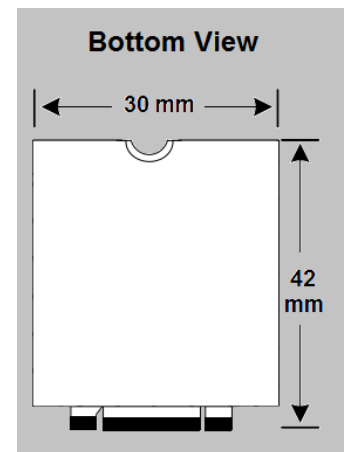
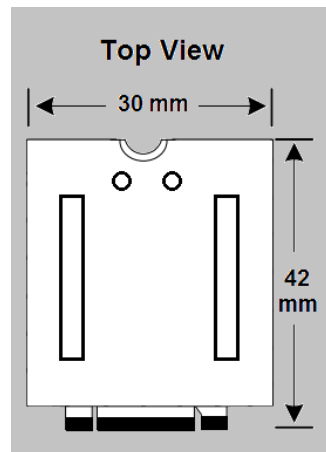


Features:

- Compact size fits directly onto boards with 30X42mm Key B M.2 slots
- Plug-and-play operation with Linux, Windows 7,8,10, and Embedded OS
- Customer can use any antenna without requiring re-certification

Advantages:

- Fast incorporation of Verizon, AT&T, T-Mobile and other cellular access without certification cost
- Eliminates the need for chip-down modem development
- Allows compact device layout
- Requires no software development on Linux and just addition of a USB driver on Windows



BRD-M2-X Specifications:

- Works with all NL-SW series modems, except NL-SW-HSPA
- Supply voltage: 3.3V from M.2
- Active call current: 720mA - 1.5A
- Normal current: 29mA
- Power saving current: 1mA
- Temperature range: -40°C to +85°C
- Communication Method: USB 2.0

Target Applications:

- Kiosks
- Digital signage
- Security panels
- Surveillance equipment
- Control panels

Ordering Information:

- BRD-M2-X
- Custom versions available



Skywire Inside

More details and Technical Manual are available for download at www.bipom.com

BiPOM Electronics, Inc. • Phone: 1-713-283-9970 • E-mail: info@bipom.com • Web: www.bipom.com

All trademarked names in this brochure are the property of respective owners.