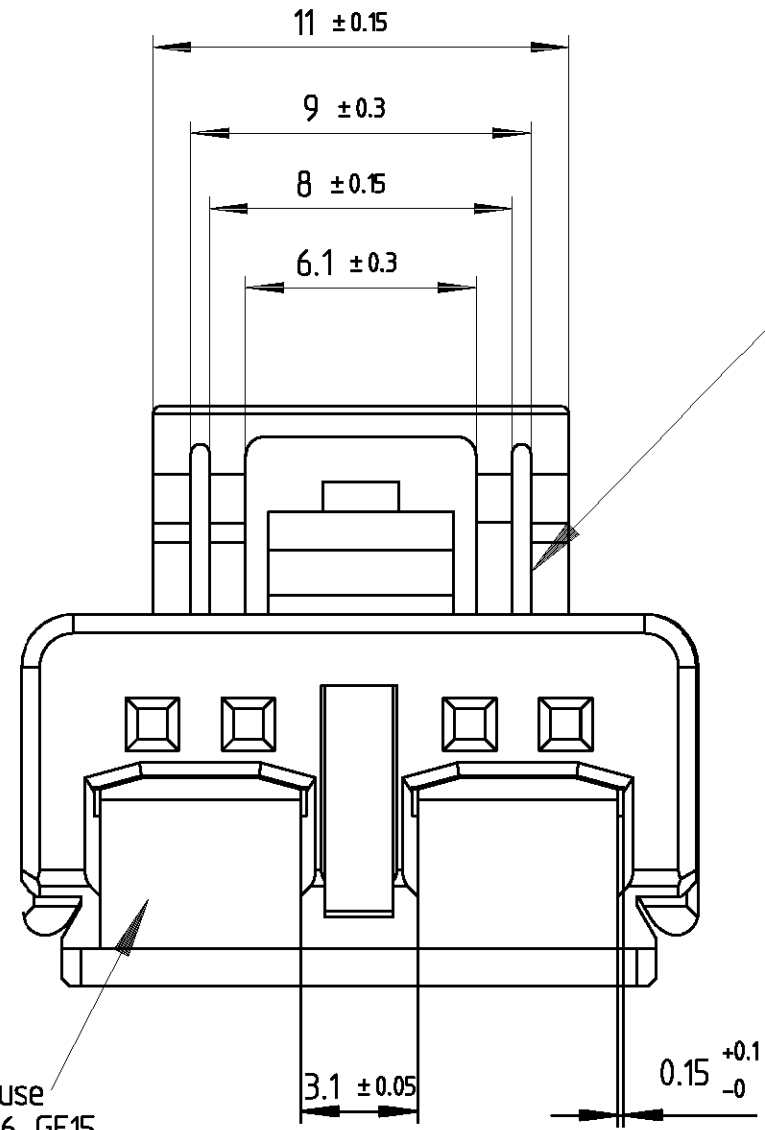


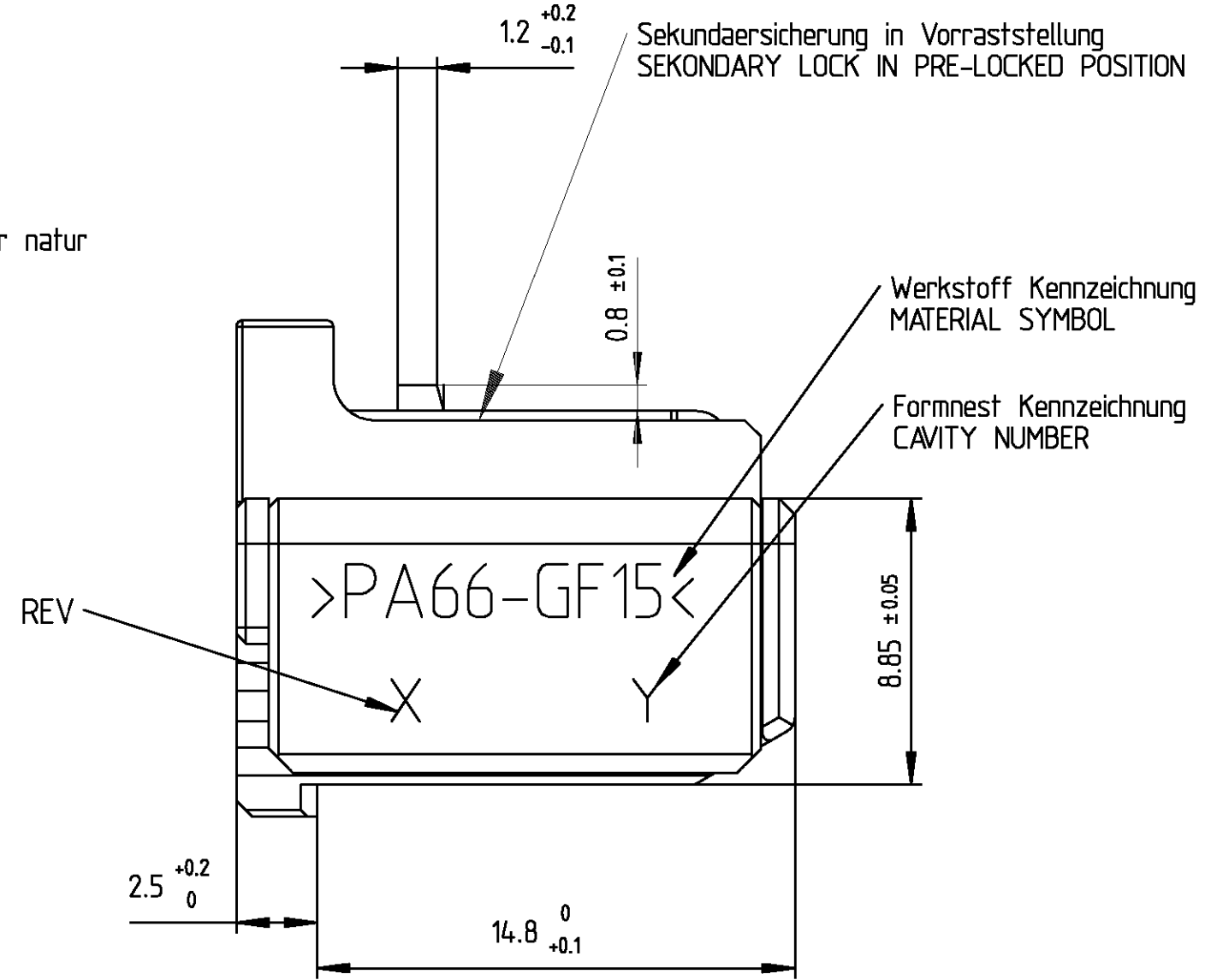
THIS DRAWING IS UNPUBLISHED. RELEASED FOR PUBLICATION 23.1.2001
 COPYRIGHT 2001 BY AMP INCORPORATED. ALL RIGHTS RESERVED.

P	LTR	DESCRIPTION	DATE	DWN	APVD
A1	EG00-0722-01		12.03.01	PS	BR
A2	added 141114-2-1		09.12.02	PS	BL
A3	DRAWING UPDATE, EG00-2068-03		11.06.03	PS	BL
A4	DRAWING UPDATE, EGA0-0149-03		14.08.03	PS	BL



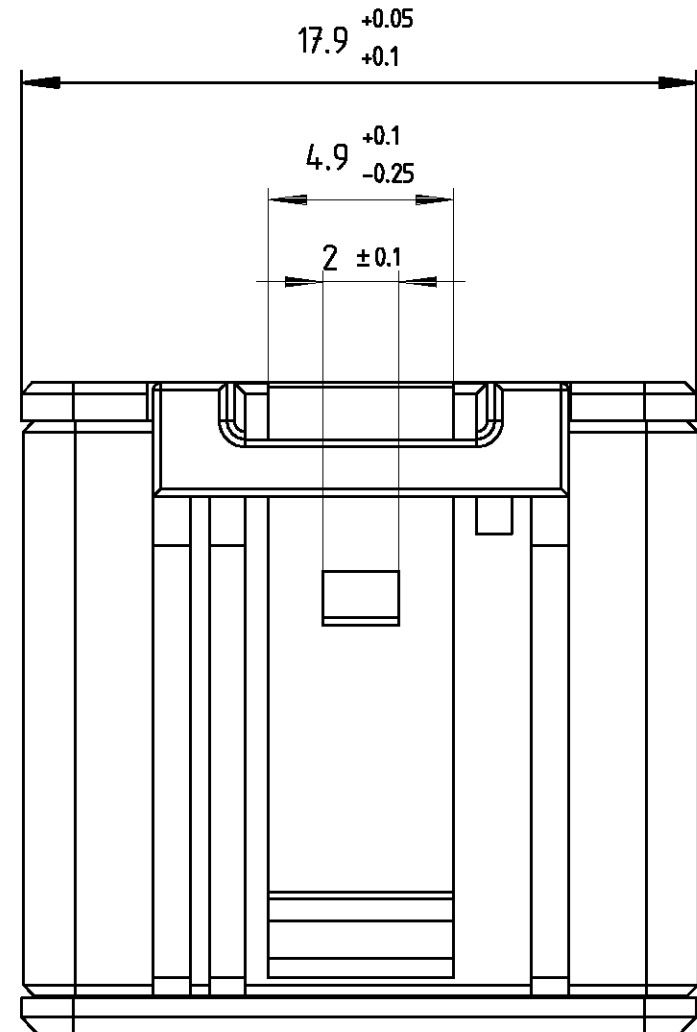
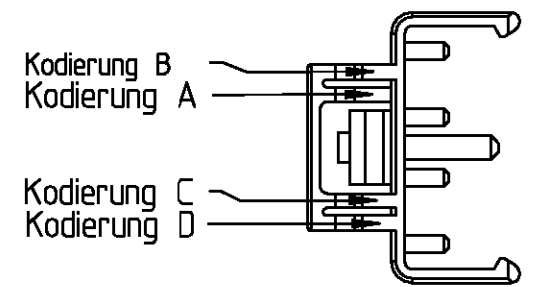
Buchsengehäuse
 Material: PA66 GF15
 Farbe: verkehrsgelb
 SOCKET HOUSING
 MATERIAL: PA66 GF15
 COLOUR: TRAFFIC-YELLOW

Sekundaersicherung
 Material: PA66 GF15
 Farbe: verkehrspurpur oder natur
 SECONDARY LOCK
 MATERIAL: PA66 GF15
 COLOUR: NATURE

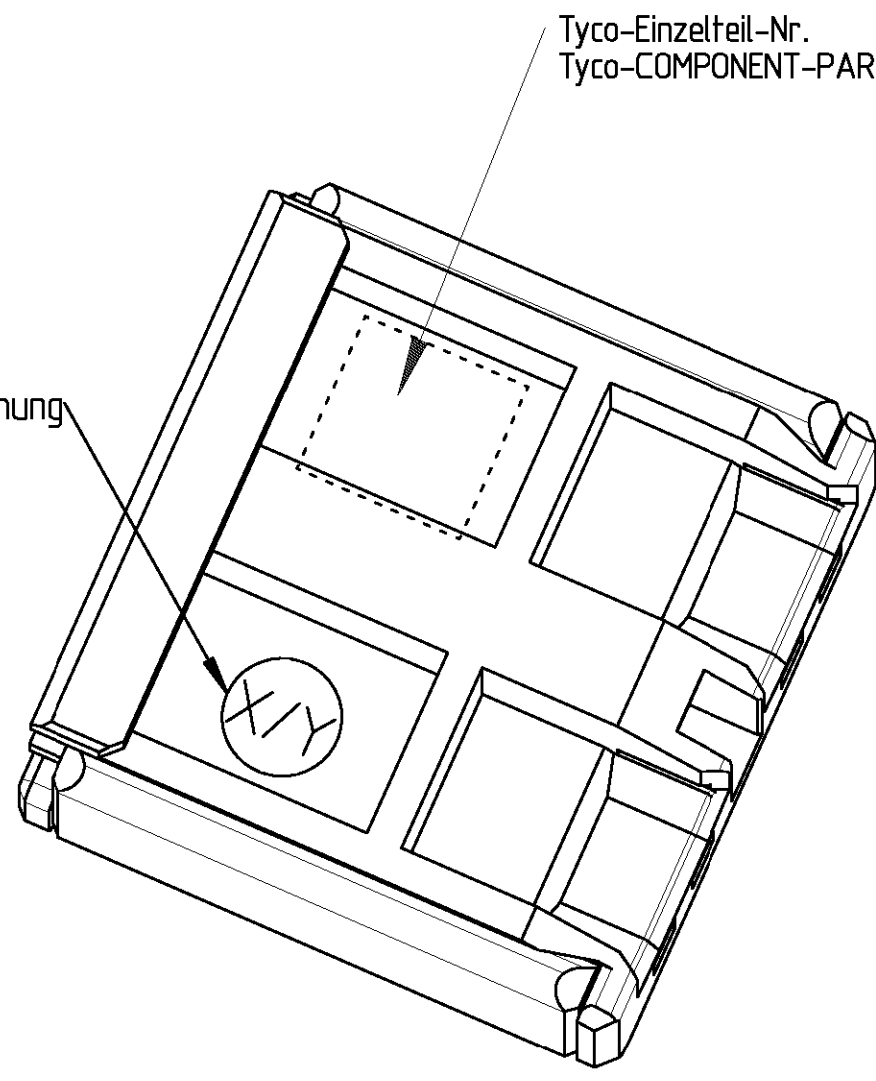


Sekundaersicherung in Vorraststellung
 SEKONDARY LOCK IN PRE-LOCKED POSITION
 Werkstoff Kennzeichnung
 MATERIAL SYMBOL
 Formnest Kennzeichnung
 CAVITY NUMBER

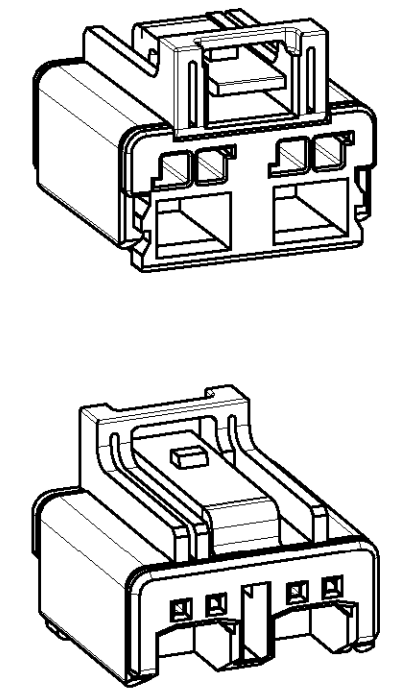
mögliche Kodierung an Buchsengehäuse-Assy
 POSSIBLE CODINGS AT SOCKET-HOUSING-ASSY



REV/Formnest-Kennzeichnung
 REV/CAVITY NUMBER



Tyco-Einzelteil-Nr.
 Tyco-COMPONENT-PART-NO.



Passende Stiftgehäuse:
 APPOSITELY PIN HOUSING

---	---
---	---
1411067-1	M5304-Y20
AMP	V23540-
Assy-PN	EC Bestell-Nr.

Diese Tyco AMP-Zeichnung ersetzt EC Zeichnung V23540-M5304-Y10-*-7427 und Stückliste V23540-M5304-Y10-*-7

0-141114-2-1	seitlich/SIDEWAYS	0-1411139-2	A	SECONDARY LOCK/Sekundaersicherung
		0-1411141-2	A	SOCKET HOUS./Buchsengeh.
ASSY/ORDER-NO. ZSB/Bestell-Nr.	Kontaktkodierung CONTACT CODING	COMPONENT-PART-NO. Einzelteil-Nr.	REV.	DESCRIPTION Beschreibung

THIS DRAWING IS A CONTROLLED DOCUMENT FOR AMP INCORPORATED. IT IS SUBJECT TO CHANGE AND THE CONTROLLING ENGINEERING ORGANIZATION SHOULD BE CONTACTED FOR THE LATEST REVISION.		DWN P. Spohr 23.1.01 CHK B. Reiss 23.1.01 APVD S. Glaser 23.1.01	tyco Electronics tyco Electronics AMP GmbH D-64625 Bensheim
DIMENSIONS: mm		PRODUCT SPEC APPLICATION SPEC WEIGHT	NAME Buchsengehäuse 4-polig, ELO-Kupplung, Kurzschluss
TOLERANCES UNLESS OTHERWISE SPECIFIED: 0-PLC ± 1-PLC ± 2-PLC ± 3-PLC ± 4-PLC ± ANGLES ± MATERIAL FINISH		CUSTOMER DRAWING	RESTRICTED TO SIZE: A2 CAGE CODE: 00779 DRAWING NO: 1411142 SCALE: 5:1 SHEET: 1 OF 1 REV: A4