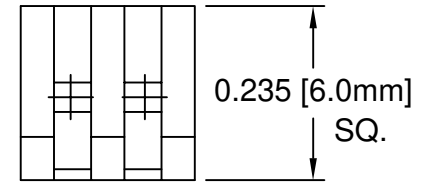
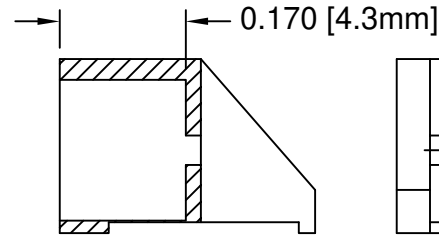
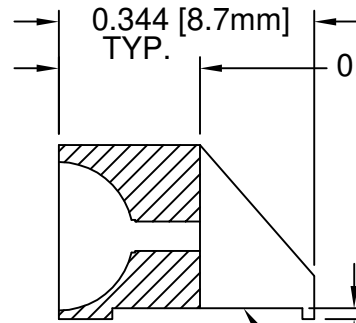
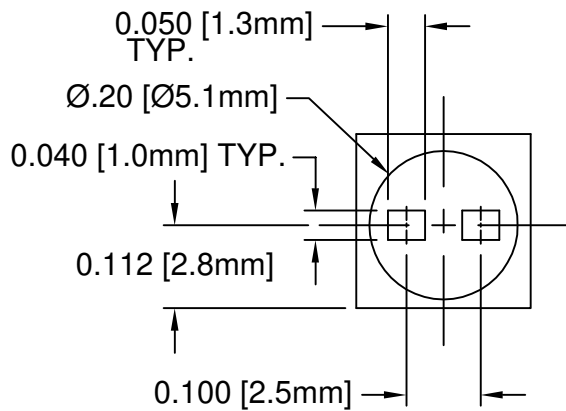


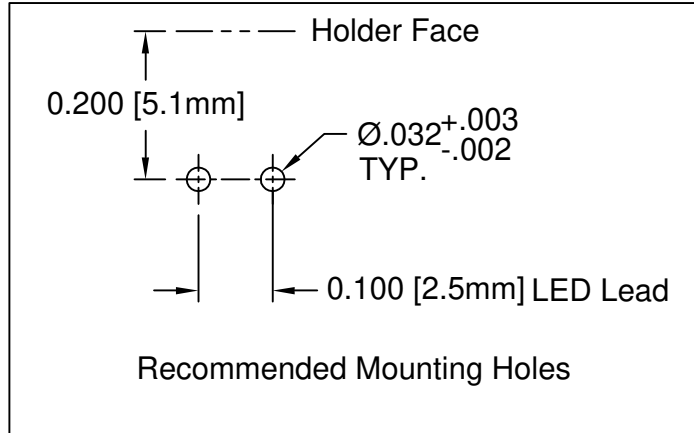
REV.	DESCRIPTION	DATE	APPROVED
B	Engineering Update w/o Changes	02/23/04	M. C.
C	Tolerance Update	03/13/06	M. C.

909-235 XX

909-235R XX





0.015 [0.4mm] TYP.
 Ø.256 [Ø6.5mm] Recess feature to accept 905 series to add height.



HOLDER	MATERIAL CODE
909-235 NT	A
909-235 BK	B
909-235R NT	A
909-235R BK	B

3. MATERIAL B: NYLON 6/6, 94V-2, BLACK. BIVAR MATERIAL CODE 03-NL-BK. BASF ULTRAMID NYLON 6/6 A3K NATURAL W/BLACK PIGMENT ADDED.
2. MATERIAL A: NYLON 6/6, 94V-2, NATURAL. BIVAR MATERIAL CODE 03-NL. BASF ULTRAMID NYLON 6/6 A3K NATURAL.
1. GENERAL SPECIFICATIONS: BIVAR MOLDED COMPONENT SPECIFICATION BV00-E101.

STANDARD TOLERANCE (UNLESS OTHERWISE SPECIFIED)		 4 THOMAS, IRVINE, CA. 92618 TEL: (949) 951-8808 FAX: (949) 951-3974		
DECIMALS	ANGULAR			
.X ± .1	X° ± 1°		TITLE: SINGLE T-1(3mm) LED HOLDER	
.XX ± .01				PART NO: 909-235X XX
.XXX ± .005				
DESIGNED: David Green	DATE: 04/24/03	CHECKED: M. Chen	DATE: 04/24/03	
CAGE CODE : 32559		SHEET # 1 OF 1		
CAD GENERATED DOCUMENT, DO NOT MEASURE DRAWING.				