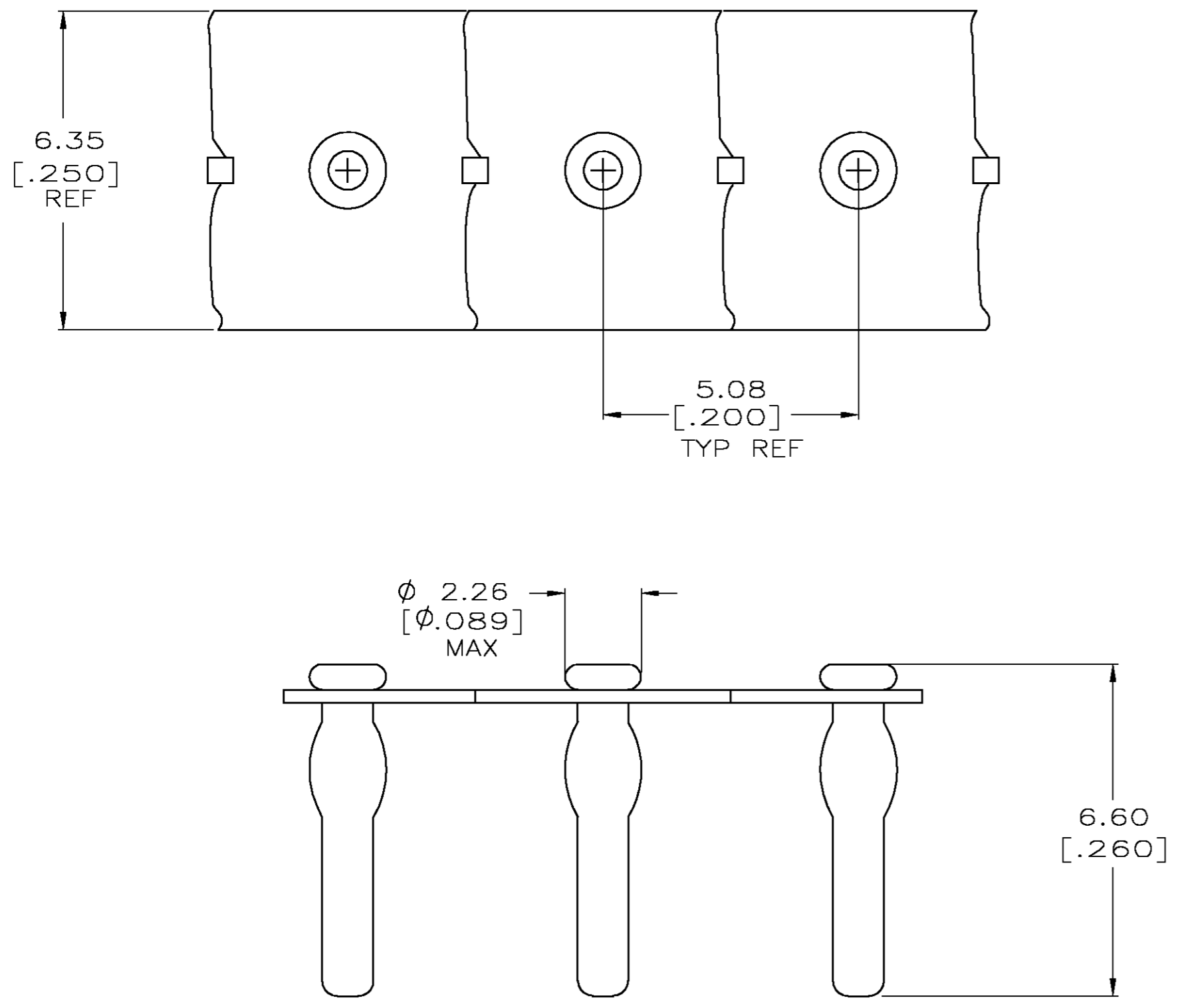
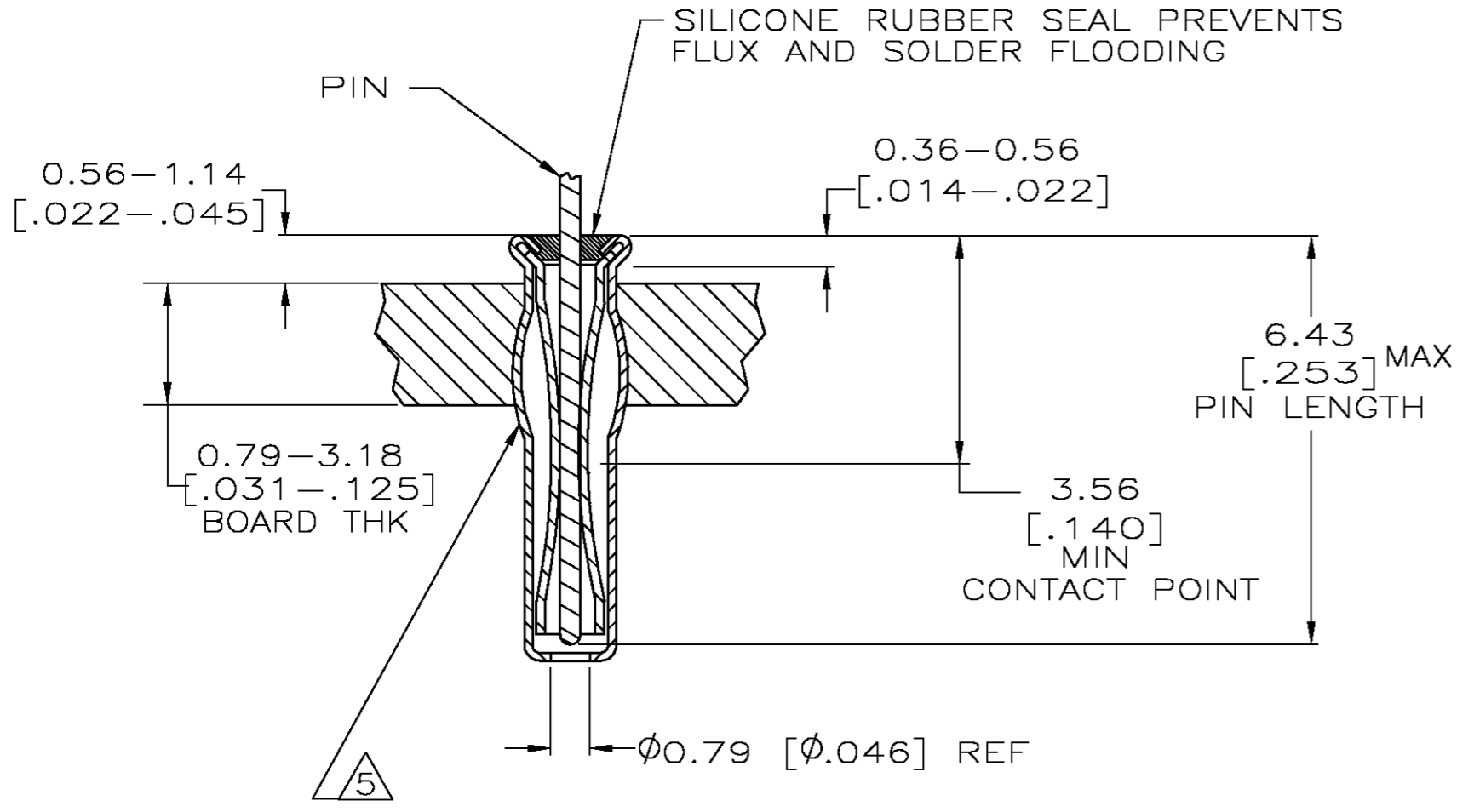


THIS DRAWING IS UNPUBLISHED. RELEASED FOR PUBLICATION
 © COPYRIGHT BY TYCO ELECTRONICS CORPORATION. ALL RIGHTS RESERVED.

LOC	DIST	REVISIONS			
P	LTR	DESCRIPTION	DATE	DWN	APVD
GP	00				
	C	REVISED PER OS11-0088-03	6-12-03	JB	KK



- 1 MATERIAL:
 EYELET- COPPER(QQ-C-576)
 SPRING- BERYLLIUM-COPPER (QQ-C-533)
 SEALANT- SILICONE RUBBER
- 2 TIN OR TIN-LEAD PLATE (MIL-T-10727) 0.00381 [0.000150] MIN THK
- 3. PACKAGE 10,000 PER REEL.
- 4 TO ENSURE 1/2 OZ MIN RETENTION, DO NOT EXCEED 0.05 [0.002] DIFFERENCE IN PIN DIA WHEN CHANGING TO A SMALLER DIA PIN.
- 5 PRODUCT IS OVALIZED FOR RETENTION IN THE P.C. BOARD. THE RECOMMENDED HOLE DIAMETER IS $\phi 1.80$ [$\phi 0.071$] MINIMUM, +0.08 [0.003] MAX. PRIOR TO SOLDERING.
- 6 TIN PER ASTM B 545, 0.00254 [0.000100] MIN THK



$\phi 0.86-\phi 0.94$ [$\phi 0.034-\phi 0.037$]	6	6	6-645522-1
PIN DIA 4	2	2	645522-1
	FINISH		PART NO.

THIS DRAWING IS A CONTROLLED DOCUMENT.		DWN	C.WHITT	3-16-92	Tyco Electronics Corporation		
DIMENSIONS: INCHES		CHK	R.TALLEY	3-23-92	NAME		
TOLERANCES UNLESS OTHERWISE SPECIFIED:		APVD	S.ROBERTSON	3-23-92	tyco MINIATURE SPRING SOCKET ASSEMBLY, SERIES 4		
0 PLC ± -		PRODUCT SPEC	-				
1 PLC ± -		APPLICATION SPEC	114-26004				
2 PLC ± -		WEIGHT	-				
3 PLC ± 0.20[0.008]		CUSTOMER DRAWING	SCALE	10:1	SHEET	1 OF 1	REV
4 PLC ± -		FINISH	SEE TABLE				
ANGLES ± -		SIZE A2 CAGE CODE 00779 DRAWING NO C=645522 RESTRICTED TO -					
FINISH		-					

CUSTOMER DRAWING