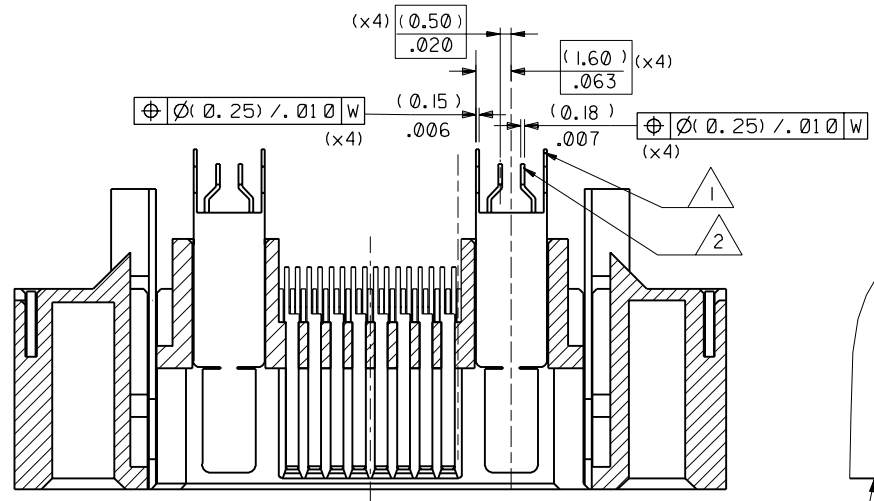
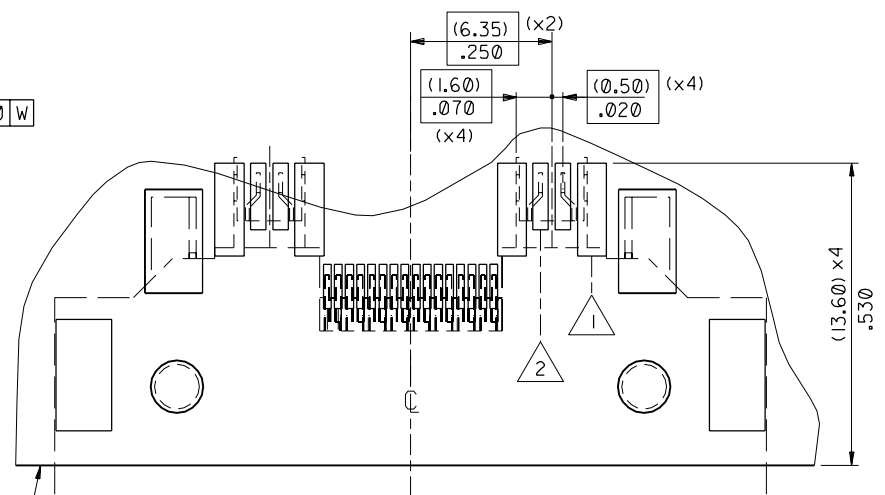


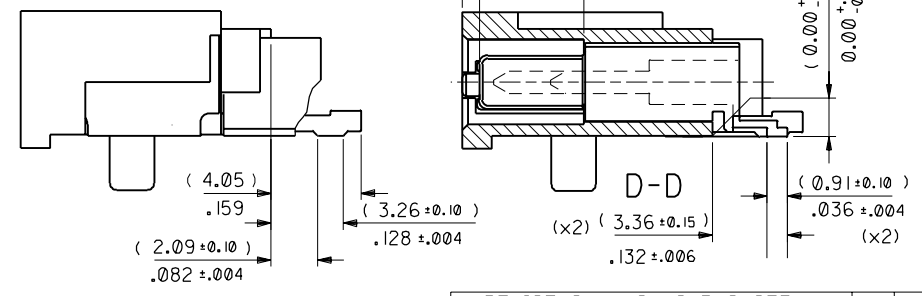
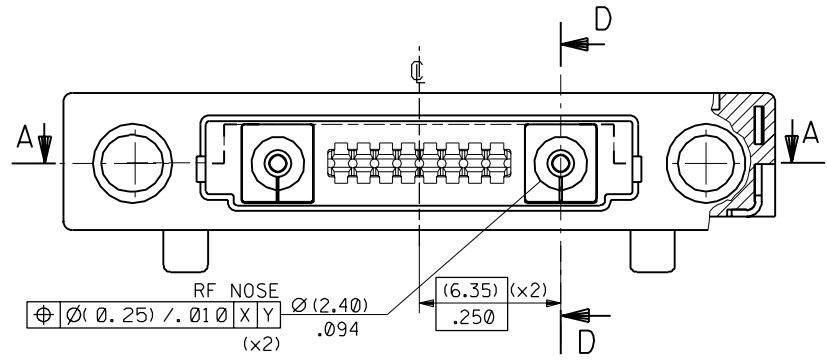
PART NO. 90811-2129
 DWG. NO. SDA-90811-2129



A-A



FRONT OF PCB
 CONNECTOR OUTLINE



- NOTES
 1. RF PART NUMBER :- 90853-0002 SWITCH CONTACTS NORMALLY-CLOSED
 2. FOR MISSING DIMENSIONS AND NOTES SEE DRAWING SDA-90811-2121
 3. COMPONENT PACKAGING :TO BE PACKED IN EMBOSSED TAPE
 SEE SDA-90811-9001 SH3

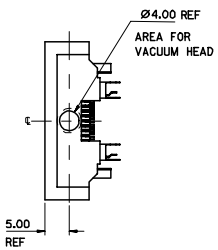
COMPONENT	PCB PAD DIMENSION	QTY
OUTER CO-AX CONDUCTOR	(1.30) $\pm .051$ x (4.2) $\pm .167$ $\varnothing(0.10) \pm .004$ R	(x4)
CENTRE CO-AX CONDUCTORS	(0.70) $\pm .028$ x (3.0) $\pm .118$ $\varnothing(0.10) \pm .004$ R	(x4)

REVISE ONLY ON CAD SYSTEM		SHL	REV.
CAD/CAM FILENAME 908112 DGN	THIS DRAWING CONTAINS INFORMATION THAT IS PROPRIETARY TO MOLEX INC. & SHOULD NOT BE USED WITHOUT WRITTEN PERMISSION		
TITLE I/O CONNECTOR FOR MOBILE PHONE			
MOLEX EUROPE		SHEET NO. 10F1	DATE 98/03/09
PART NO. 90811-2129	DWG. NO. SDA-90811-2129	SIZE B	

ORIGINAL ISSUE ECN E80397 9 MARCH 1998 DAB	DIMENSIONS SHOWN (METRIC) INCH UNLESS OTHERWISE SPECIFIED TOLERANCES: ANGULAR $\pm \frac{1}{2}^\circ$	DRWG BY DAB
LTR A	INCH (METRIC) 3 PLACE $\pm .002$ 2 PLACE $\pm .004$ $\pm .005$ 1 PLACE $\pm .010$	CHK'D BY
	DRAFT WHERE APPLICABLE MUST REMAIN WITHIN DIMENSIONS DESIGN DIMENSION <input checked="" type="checkbox"/> (MM) (PRIMARY) <input type="checkbox"/> IN. EQUIVALENT DIMENSION <input type="checkbox"/> (MM) (SECONDARY) <input checked="" type="checkbox"/> IN.	APP'D BY
		SCALE 5:1

20 19 18 17 16 15 14 13 12 11 10 9 8 7 6 5 4 3 2 1

COMPONENT DETAIL
(W/UNSWITCHED RF)



SCALE 2:1

99044-1066

CENTRE LINE FOR VACUUM PICK UP

99044-5006

20.0 REF.
2.00 ±0.35
NOTE 5

Ø 1.50 ±0.10
0.00

4.00 PITCH
NOTE 2

L75

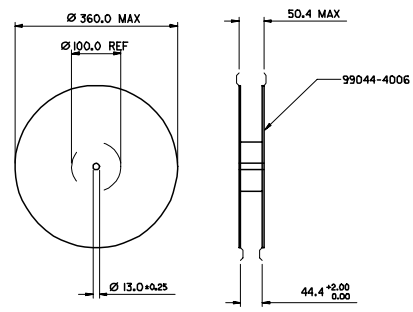
20.20

44.00 ±0.30

8.80 MAX.

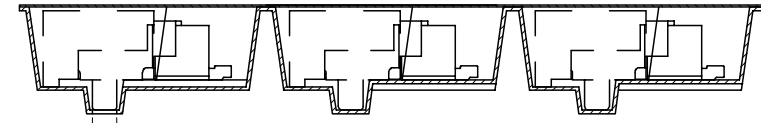
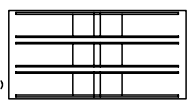
DIRECTION OF UNREELING

REFERENCE ONLY

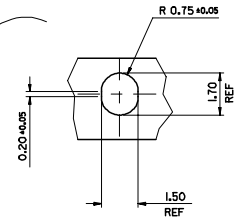


REEL DIMENSIONS
DO NOT SCALE

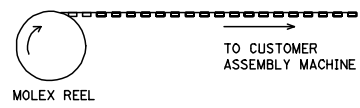
(400) PIECES / REEL (SUBJECT TO CHANGE)
(THREE) REELS / CARDBOARD BOX (96707-0007)
(1200) PIECES / CARDBOARD BOX (SUBJECT TO CHANGE)



B - B



SCALE 10:1



MOLEX REEL

COMPONENT	DESCRIPTION
90811-2129	MOBILE PHONE I/O CONNECTOR
90811-2130	1mm Pitch I/O Rpt 16Ckt W/RF
90811-2131	1mm Pitch I/O Rpt 16Ckt W/O RF

NOTES:

- MATERIAL :
CARRIER TAPE : VOLUME CONDUCTIVE POLYSTYRENE , 0.4 REF THICK , BLACK
COVER TAPE : COLD SEAL POLYESTER , 0.06 REF THICK, TRANSPARENT
- PITCH TOLERANCE OVER ANY 10 PITCHES ±0.2
- PEEL FORCE OF THE COVER TAPE IS 0.1N TO 1.0N
AT A MAXIMUM PEEL SPEED OF 300mm/min ±10%.
- REFERENCE TO IEC 286-3 EXCEPT WHERE NOTED

ADDED PART NO ECHANGE 2007-0458 2007/05/08 DRIVING DUGGAN 2007/05/13 CHECKED APPR-EPOLAN 2007/05/16 REV	QUALITY SYMBOLS ▽=0 ▽=0	GENERAL TOLERANCES (UNLESS SPECIFIED)		DIMENSION STYLE MM ONLY		SCALE S:1	DESIGN UNITS METRIC	THIRD ANGLE PROJECTION
		4 PLACES ± --- ± --- 3 PLACES ± --- ± --- 2 PLACES ± 0.10 ± --- 1 PLACE ± 0.2 ± --- ANGULAR ± 5 °	INCH ± --- ± --- ± --- ± --- ± --- ± ---	DRAWN BY T. MAHON 1998/06/16	DATE 1998/06/16	TITLE BLISTER PACKAGING FOR MOBILE PHONE HANDSET	MATERIAL NO. SDA-90811-9001	DOCUMENT NO.

DRAFT WHERE APPLICABLE MUST REMAIN WITHIN DIMENSIONS
 THIS DRAWING CONTAINS INFORMATION THAT IS PROPRIETARY TO MOLEX INCORPORATED AND SHOULD NOT BE USED WITHOUT WRITTEN PERMISSION

19 18 17 16 15 14 13 12 11 10 9 8 7 6 5 4 3 2 1