

Ratings

Temperature: -40~70 °C
Voltage: 150 V

Conductor

Gauge: 18 AWG 0.74 mm²
Material: tinned copper strands
Strand size: $\varnothing 0.127 \times 65$
Resistance at 20 °C: 23.2 Ω /km max

Insulator

Material: HDPE
Color: green, blue, yellow, white, black, red
Diameter: $\varnothing 1.65 \pm 0.10$ mm
Nominal thickness: 0.23 mm
Resistance at 20 °C: 100 M Ω /km min

Shield

Type: spiral
Material: tinned copper strands
Stranding: $\varnothing 0.08$ mm
Coverage: 90 % min

Outer jacket

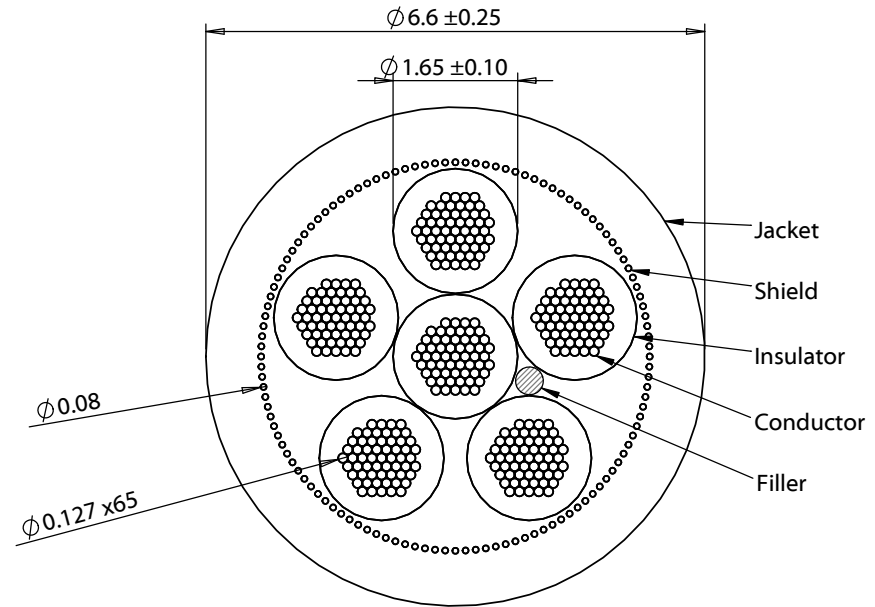
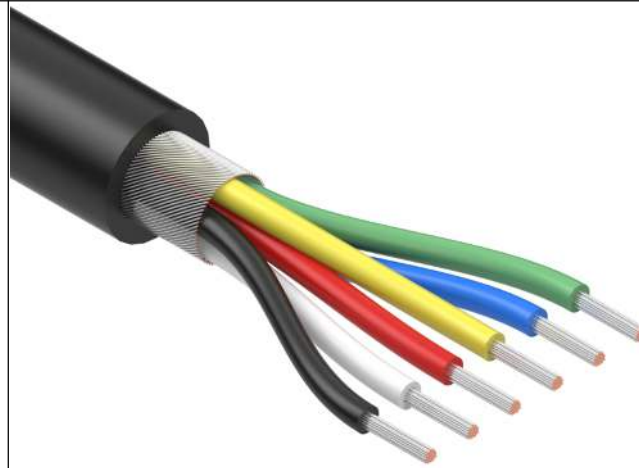
Material: TPU
Color: black
Nominal thickness: 0.74 mm
Diameter: $\varnothing 6.6 \pm 0.25$ mm

Filler

Material: aramid fiber

Tests

Tensile strength: 35.7 kgf min
Dielectric test: 1500 V dc for 1 minute without breakdown
Bend test at 200 g, $\pm 90^\circ$, 30 cycles /min: 15,000 cycle minimum



Revision:	Date:	Description:
A	3/24/2021	Initial release

Prepared: **AW**
Digitally signed by AW
Date: 2021.03.24
11:02:12 -07'00'

Verified: **AG**
Digitally signed by AG
Date: 2021.03.25
11:13:04 -07'00'

Dimensions are in millimeters.
Tolerances:
X: ± 0.5 mm
X.X: ± 0.3 mm
X.XX: ± 0.05 mm

Notes:
RoHS compliant
Jacket meets ISO 10993 Biological Compatibility
Phthalate and halogen free
Function test: no open, no short, no intermittent

Description:
Wire, 6C TS, 18 AWG, 150V, 70C, 6.6 mm, shielded, TPU, 75A, WBL

TENSILITY

tel 1.541.323.3228 800 877.670.7118
fax 1.541.323.4202 web tensility.com

Size: A Part number: **30-01870**

Scale: 10:1 Sheet 1 of 1