

ASGTX Evaluation Board

ASGTX-Eval

Moisture Sensitivity Level – N/A



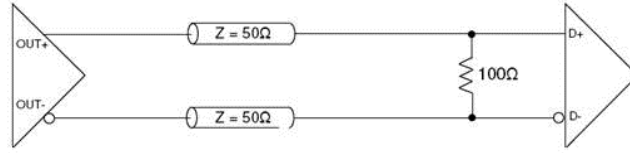
RoHS/RoHS II compliant



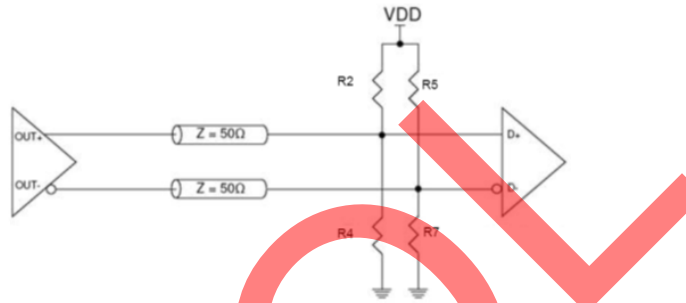
37.56 x 42.66mm

DESCRIPTION:

ASGTX Evaluation boards are designed to facilitate engineering evaluation of the ASGTX series of high frequency VCTCXO's. These boards are pre-configured to test the ASGTX oscillator with an LVDS output. As shown in section-6 (schematic), R8 is pre-populated with a 100Ω resistor.



Further, to complete the path to the SMA output connectors, R3 & R6 are populated with 0Ω resistors. To test the **LVCMOS** output, simply remove R8 and monitor the output at OUT SMA Connector. To test the **LVPECL** output, simply remove R8, and solder down the following resistors as a function of the supply voltage, VDD.

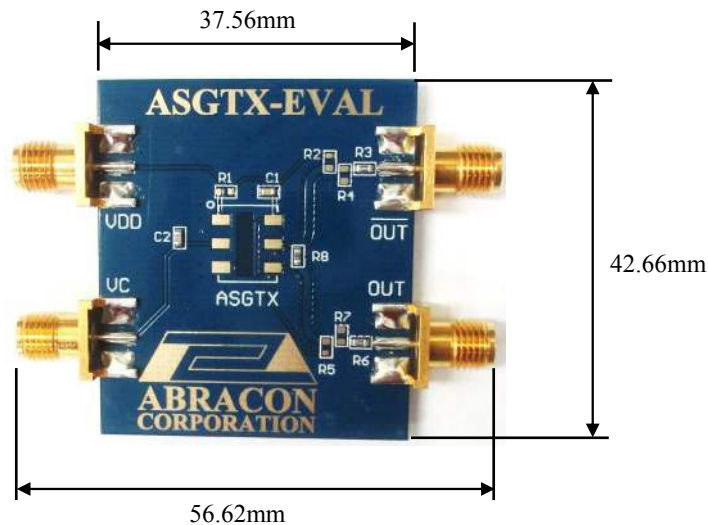


VDD	R2	R4	R5	R7
3.3V	133Ω	82Ω	133Ω	82Ω
2.5V	250Ω	62.5Ω	250Ω	62.5Ω

OPTIONS AND PART IDENTIFICATION

ASGTX-EVAL

OUTLINE DIMENSIONS



ABRACON IS
ISO9001:2008
CERTIFIED



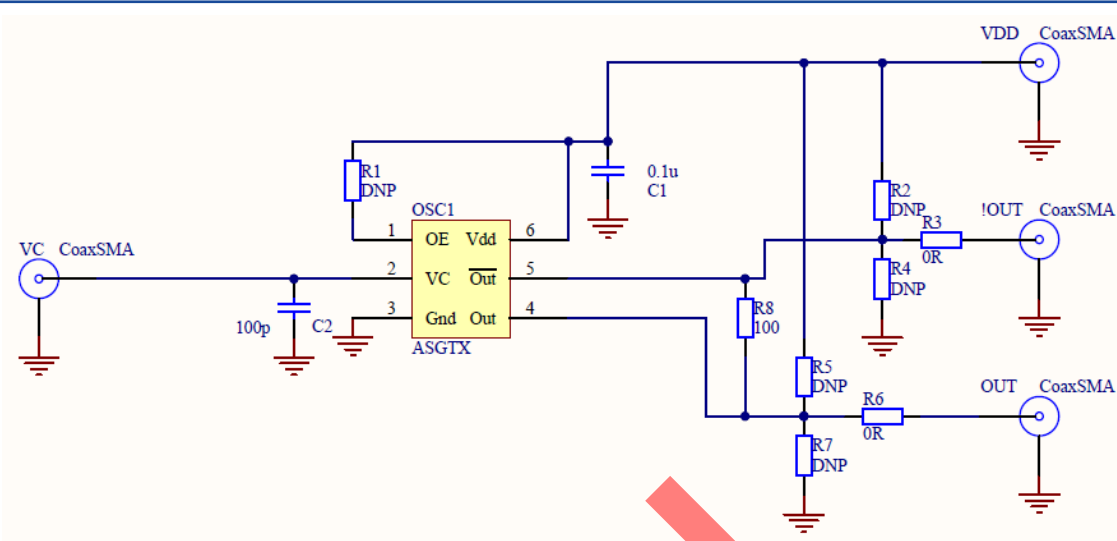
2 Faraday, Suite# B | Irvine | CA 92618 Revised: 01.23.15

Ph. 949.546.8000 | Fax. 949.546.8001

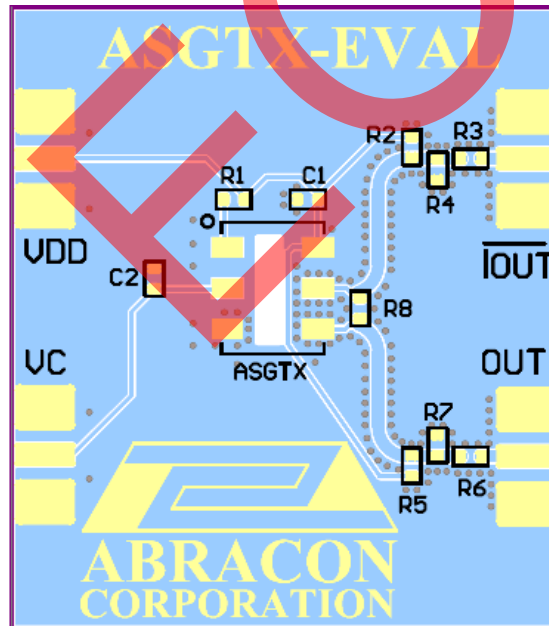
Visit www.abracon.com for Terms and Conditions of Sale



SCHEMATIC



LAYOUT



ATTENTION: Abracon Corporation's products are COTS – Commercial-Off-The-Shelf products; suitable for Commercial, Industrial and, where designated, Automotive Applications. Abracon's products are not specifically designed for Military, Aviation, Aerospace, Life-dependant Medical applications or any application requiring high reliability where component failure could result in loss of life and/or property. For applications requiring high reliability and/or presenting an extreme operating environment, written consent and authorization from Abracon Corporation is required. Please contact Abracon Corporation for more information.