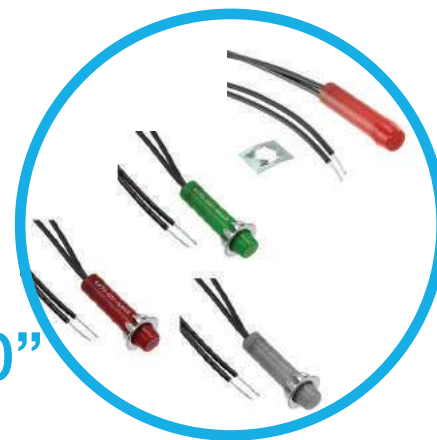




6063 and 6073 Series Panel Mount Indicator Mounting Hole 0.375" and 0.500"



6063 Series		6073 Series	
Flat Face	Conical Face	Flat face	Conical Face

All dimension in inches.

The Glo-Lite Indicator Lights are designed for applications requiring a low cost, line voltage power-on indicator. These indicator lights utilize a high brightness C2A neon lamp providing good visibility and a long life. These indicator lights are constructed with a one-piece body and lens and are available in two face configurations, flat or conical, with or without a chrome bezel.

Specifications

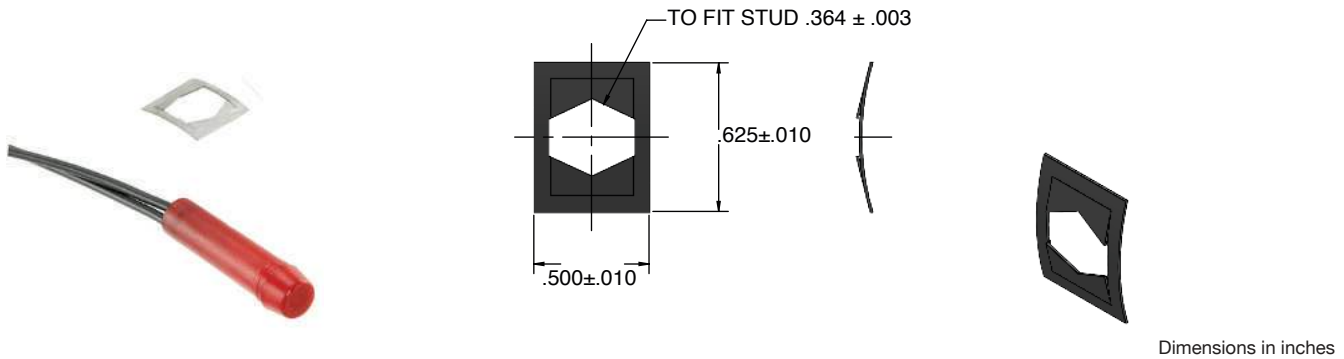
Part Number:	Description
6063-001-534R	Red, Flat Face, No Bezel. Speed Nut Included.
6063-001-634R	Red, Conical Face, No Bezel. Speed Nut Included.
6073-001-534R	Red, Flat Face, Chrome Bezel. Speed Nut not Included.
6073-001-634R	Red, Conical Face, Chrome Bezel. Speed Nut not Included.
6073-001-634G	Green, Conical Face, Chrome Bezel. Speed Nut not Included.
6073-001-634W	White, Conical Face, Chrome Bezel. Speed Nut not Included.

Mounting Hole:	.375 " for 6063 Series, .500 " for 6073 Series
Mounting Centers:	.500 " for 6063 Series, .688 " for 6073 Series
Maximum Panel Thickness:	1.25 " for 6063 Series, .078 " for 6073 Series
Housing/Lens Material:	Nylon
Bezel (6073 Series only):	Chrome Plated Brass
Wire Leads:	22 AWG, black 105°C PVC Insulation, stranded
Electrical:	125 Volts AC, Built-in 30K ohm 1/4 Watt resistor
Approvals:	UL recognized

Ordering Data

A push-on speed nut is included in the 6063 part numbers, which secures the indicator in place

- One piece, self-locking, heat-treated, spring-steel fastener that replaces threaded nut, lock washer or spanner washer.
- Eliminates time consuming assembly operations.
- Fast and easy to apply, the speed nut fastener provides maximum holding power at minimum cost per fastener.
- It does not shake loose from vibration, yet can be easily loosened without worry about rust-frozen screw threads.
- For smaller components where space is premium.
- Requires less torque than standard hex-nuts.
- Can be installed prior to painting processes so threads won't fill.



Material	
Speed Nut (one piece)	Spring steel .012 thick

Installation Specification	
Stud Size	0.364" ± .003" (9.245 mm ± 0.076 mm)

Speed nut to fit stud size .364" +/- .003", .500" +/- .010" wide x .625" +/- .010" thick.
Finish phosphate & zinc chromate

Compliance & Approvals

