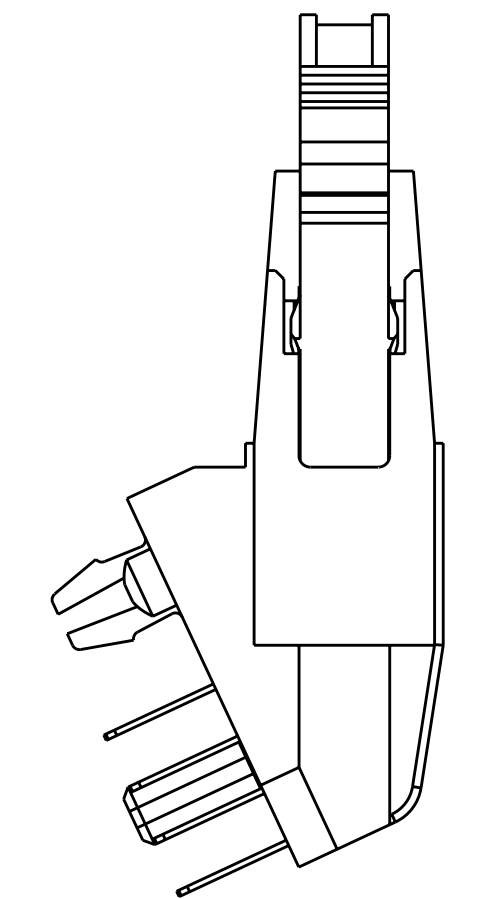
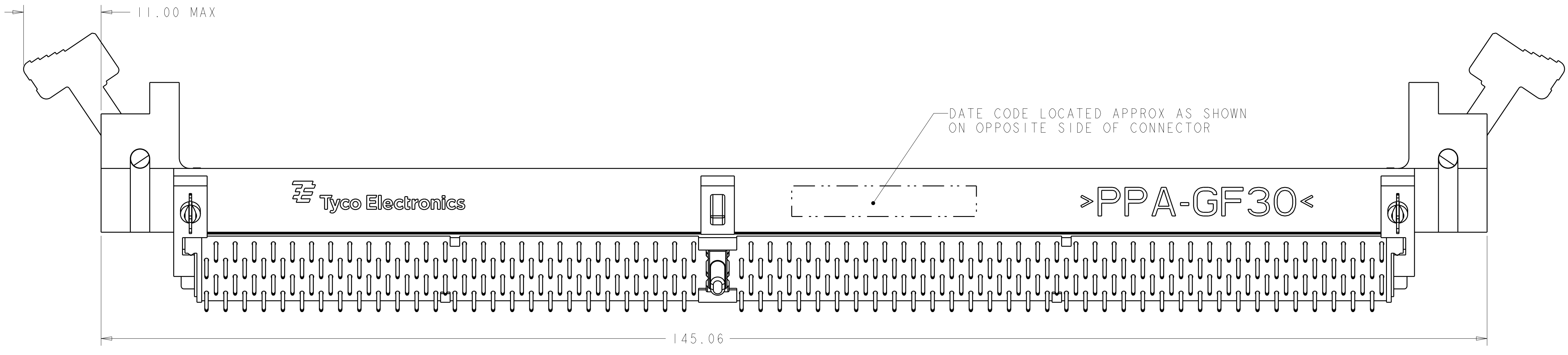
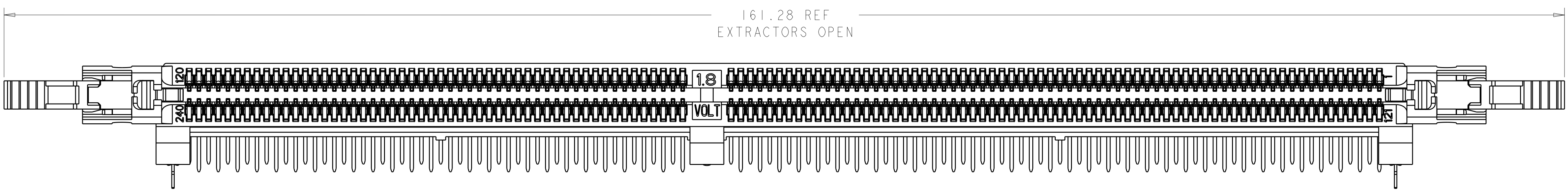
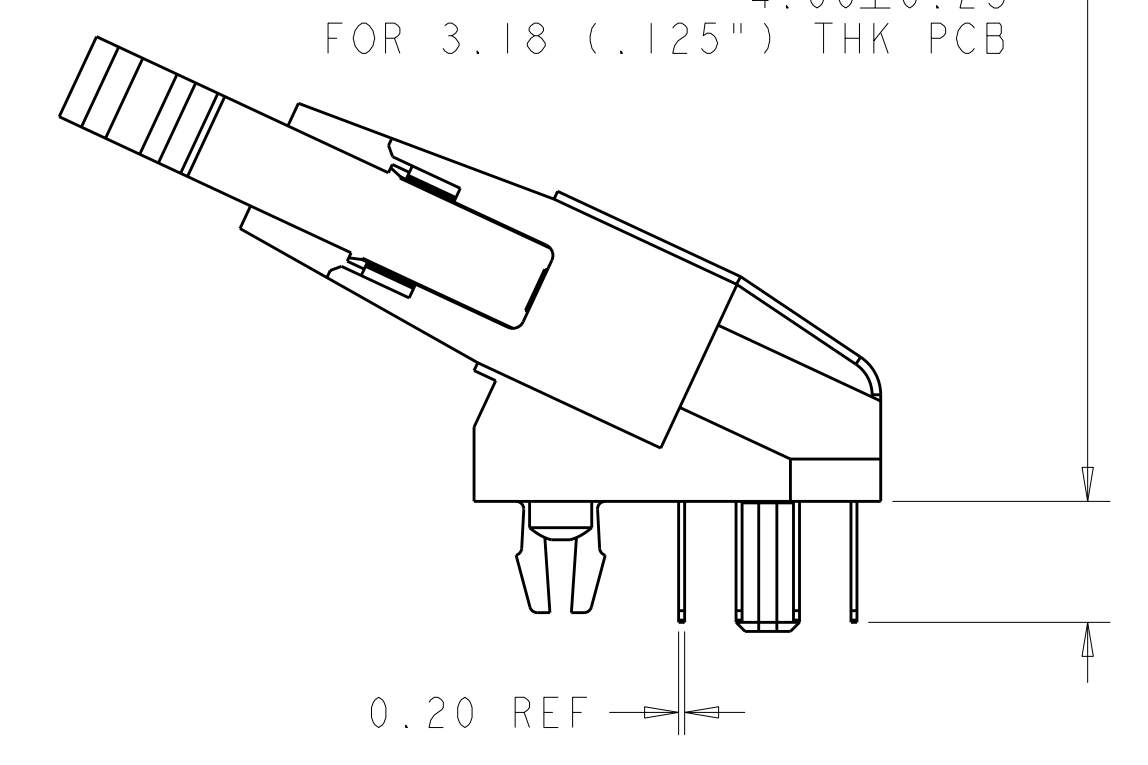
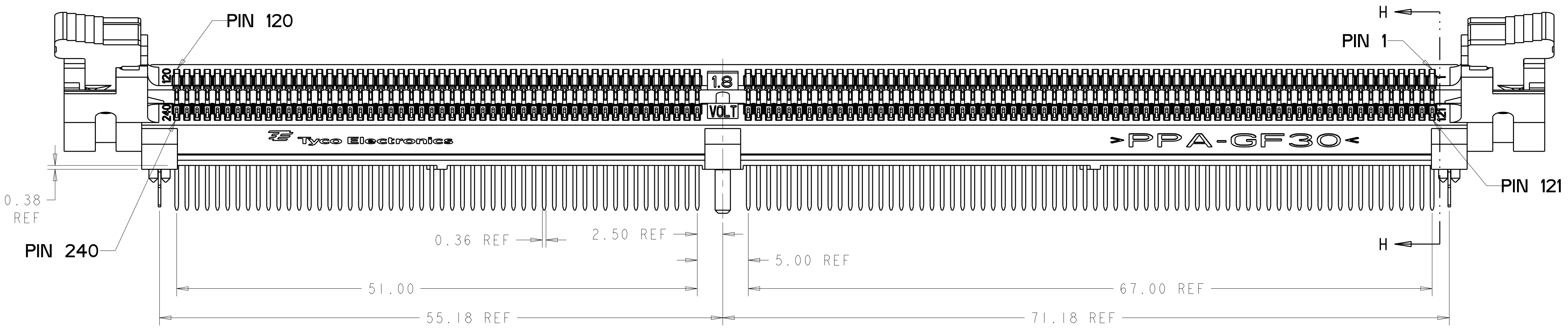


LOC	DIST	REV	DATE	BY	APPD
ES	00	A2	12JUL10	D.S.	S.Y.



TAIL LENGTHS

- 2.67±0.25 FOR 1.60 (.063") THK PCB
- 3.18±0.25 FOR 2.36 (.093") THK PCB
- 4.00±0.25 FOR 3.18 (.125") THK PCB



- 1 MATERIALS:
HOUSING: HIGH TEMPERATURE THERMOPLASTIC, BLACK, UL94 V-0
EXTRACTOR: HIGH TEMPERATURE THERMOPLASTIC, NATURAL (OFF WHITE)
CONTACTS: COPPER ALLOY
RETENTION BARB: COPPER ALLOY
- 2 INTERFACE FINISH:
0.00076 MIN THK GOLD OVER 0.00127 MIN THK NICKEL.
0.00038 MIN THK GOLD OVER 0.00127 MIN THK NICKEL.
- 3 SOLDER TAIL FINISH:
0.00300 MIN THK MATTE LEAD FREE PLATING OVER 0.00127 MIN THK NICKEL.
- 4 RIGHT HOLE IS GLOBAL D-E ORIGIN FOR ALL POSITIONAL TOLERANCES.
LEFT AND RIGHT NON-PLATED THRU HOLES ESTABLISH [-E-].
- 5 FINISHED HOLE SIZE. Ø0.15 MAXIMUM ANNULAR RING.

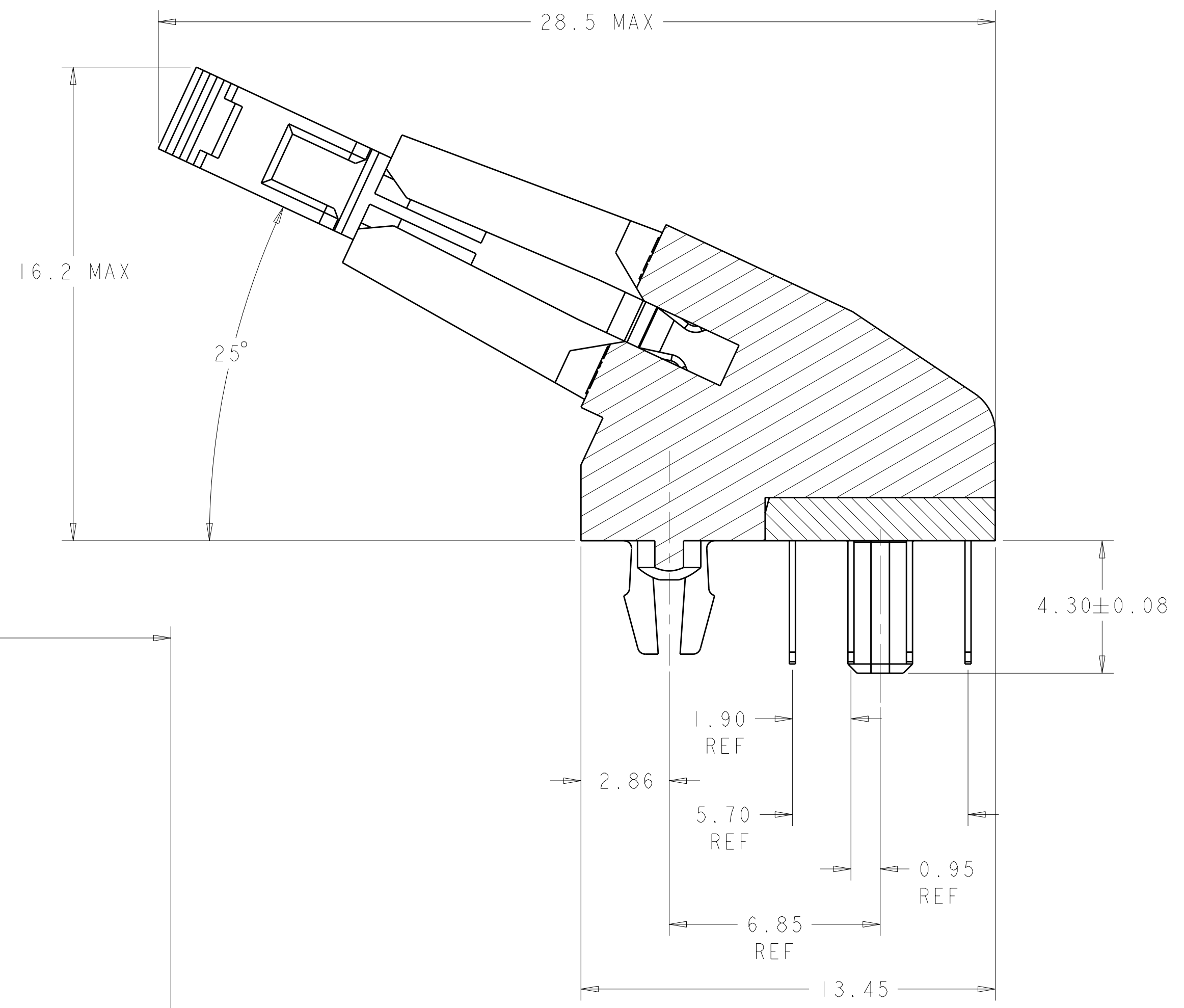
- 6 DATUM [-F-] IS CONNECTOR SIDE SURFACE OF PCB.
- 7 PORE BLOCKER APPLIED TO CONTACT INTERFACE.

CONTACT GOLD INTERFACE	TAIL LENGTH	PART NUMBER
0.00038 MIN	4.00	1888029-6
0.00038 MIN	3.18	1888029-5
0.00038 MIN	2.67	1888029-4
0.00076 MIN	4.00	1888029-3
0.00076 MIN	3.18	1888029-2
0.00076 MIN	2.67	1888029-1

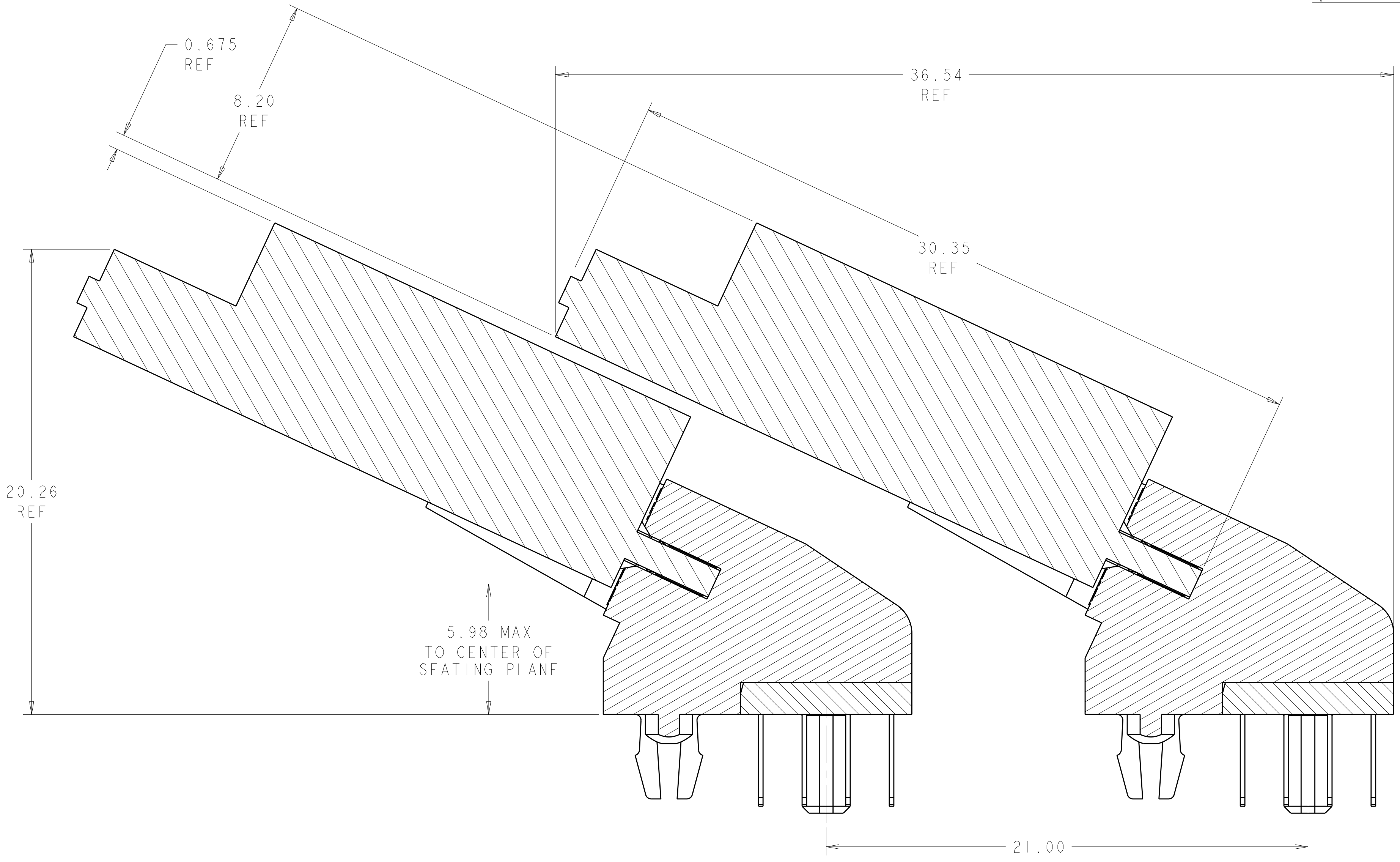
DIMENSIONS: mm		TOLERANCES UNLESS OTHERWISE SPECIFIED: 9 PLC ±.25 2 PLC ±.15 3 PLC ±.013 4 PLC ±. ANGLES ±#1		DWN D. RINGLER 12JUL2005 CHK M. YEOMANS 18JUL2005 APVD		Tyco Electronics Corporation SH/CN GuiPing RD 668#	
MATERIAL:		FINISH:		PRODUCT SPEC: 108-2168 APPLICATION SPEC: 114-13130 WEIGHT:		NAME: SOCKET ASSEMBLY 25 DEGREE FB DIMM 240 POSITION SIZE: A11 CAGE CODE: 00779 DRAWING NO: C=1888029	
CUSTOMER DRAWING				SCALE: 1:1		SHEET 1 OF 3 REV A2	

LOC	DIST	REV	DATE	BY	CHK	APPV
ES	00					

REVISIONS		DATE	BY	APPV
-	SEE SHEET 1	-	-	-



SECTION **HH**
 SCALE 8:1



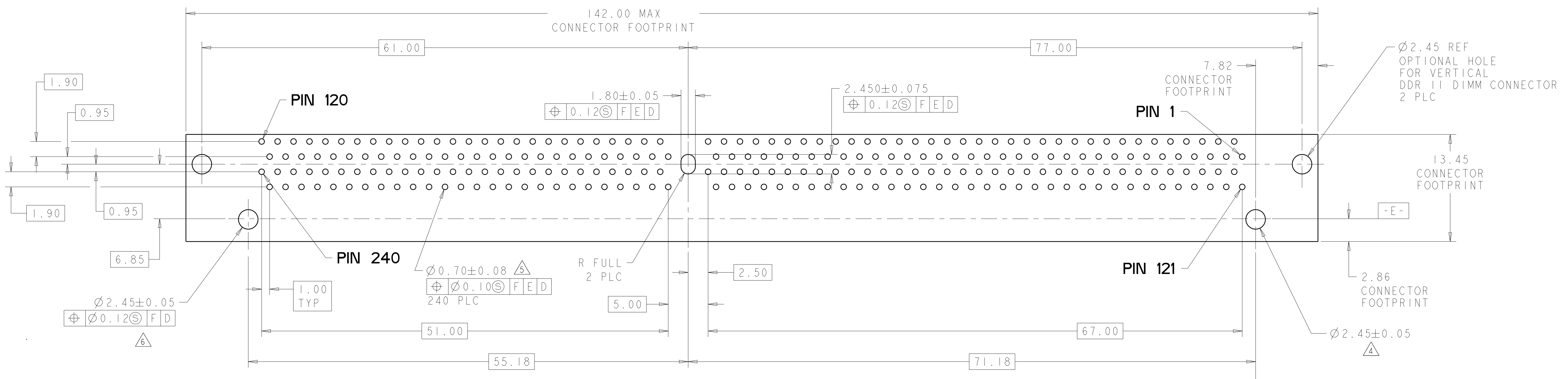
MINIMUM RECOMMENDED ROW TO ROW SPACING

SCALE 8:1

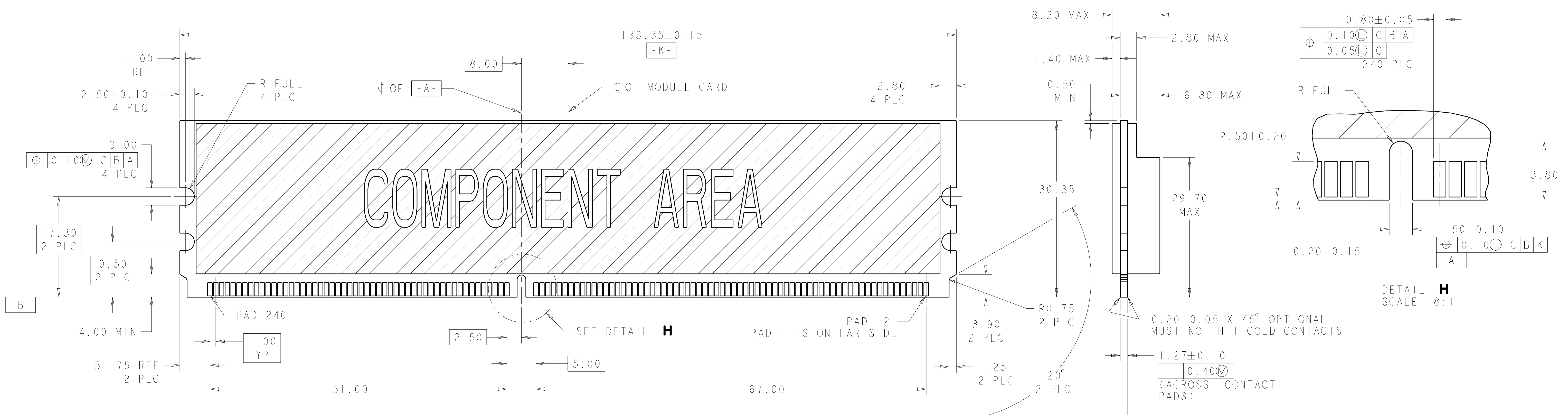
<small>THIS DRAWING IS UNPUBLISHED. RELEASED FOR PUBLICATION. ALL RIGHTS RESERVED. THIS DRAWING IS UNPUBLISHED. RELEASED FOR PUBLICATION. ALL RIGHTS RESERVED. THIS DRAWING IS UNPUBLISHED. RELEASED FOR PUBLICATION. ALL RIGHTS RESERVED.</small>		DWN D. RINGLER 12 JUL 2005 CHK M. YEOMANS 18 JUL 2005 APPV -	Tyco Electronics Tyco Electronics Corporation SH/CN GuiPing RD 668#
DIMENSIONS: mm 	TOLERANCES UNLESS OTHERWISE SPECIFIED: 9 PLC ± 1 PLC ±0.25 2 PLC ±0.15 3 PLC ±0.13 4 PLC ± ANGLES ±° FINISH ±#1	PRODUCT SPEC 108-2168 APPLICATION SPEC 114-13130 WEIGHT - CUSTOMER DRAWING	NAME SOCKET ASSEMBLY 25 DEGREE FB DIMM 240 POSITION SIZE CAGE CODE DRAWING NO A11 00779 C=1888029 RESTRICTED TO -
AMP 4805 REV 31MAR2000		SCALE 1:1	SHEET 2 OF 3 REV A2

LOC	DIST	REV	DATE	BY	APPD
ES	00				

REVISIONS		DATE	BY	APPD
-	SEE SHEET 1	-	-	-



RECOMMENDED PCB HOLE LAYOUT
 VIEWED FROM CONNECTOR SIDE
 SCALE 4:1



RECOMMENDED MODULE LAYOUT
 SCALE 3:1

<small>THIS DRAWING IS UNPUBLISHED. RELEASED FOR PUBLICATION BY TYCO ELECTRONICS CORPORATION, ALL RIGHTS RESERVED.</small>		DWN: D. RINGLER 12 JUL 2005 CHK: M. YEOMANS 18 JUL 2005	Tyco Electronics Tyco Electronics Corporation SH/CN GuiPing RD 668#
DIMENSIONS: mm	TOLERANCES UNLESS OTHERWISE SPECIFIED: 9 PLC ±0.25 1 PLC ±0.15 5 PLC ±0.13 4 PLC ±0.13 ANGLES ±1°	NAME: SOCKET ASSEMBLY 25 DEGREE FB DIMM 240 POSITION	SIZE: A1 CAGE CODE: 00779 DRAWING NO: C=1888029
MATERIAL:	FINISH:	WEIGHT:	RESTRICTED TO:
CUSTOMER DRAWING		SCALE: 1:1	SHEET 3 OF 3 REV A2