

PART NUMBER

**KAD177695**

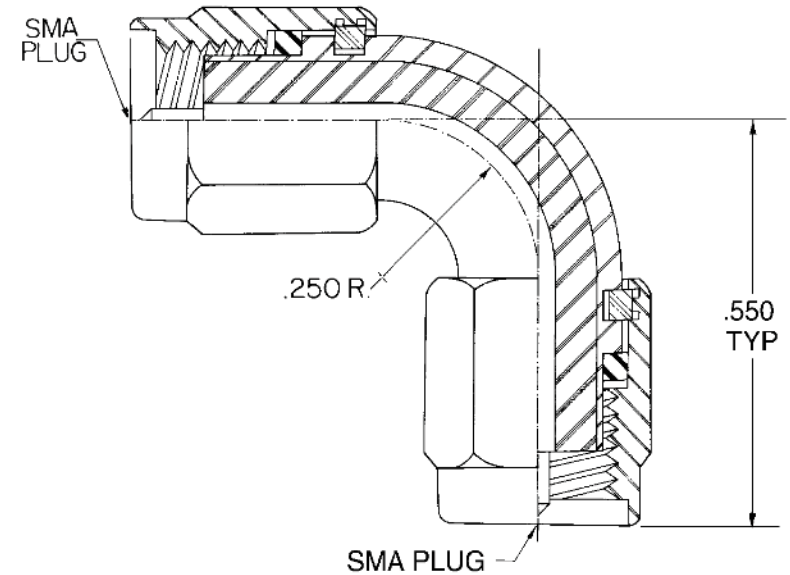
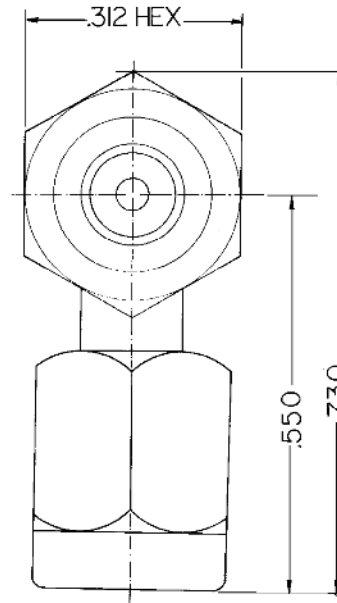
REV.

INITIAL

**Electrical Data**

Impedance 50  $\Omega$   
 Frequency Range DC - 18GHz  
 VSWR 1.3:1 Max.

Adapter to meet or exceed all specifications per MIL-39012  
 Mating dimensions in accordance with MIL-STD-348

**RoHS Compliant**

VSWR and Frequency Range Specifications  
 are for reference and are dependant on cable  
 type and other application specific conditions

Drawing not to scale. Dimensions for reference only

540 NW University Blvd. Ste. 109  
 Port Saint Lucie, Florida, 34986  
 1-800-790-5887

PART NUMBER

**KAD177695**

DESCRIPTION

**Adapter - In Series**  
**SMA Radius Right Angle Male Plug to Male Plug**

CAGE CODE

**664U0**

SIGNATURE

X

**Materials**

Body  
 Coupling Nut  
 Contact  
 Insulator

Stainless Steel  
 Stainless Steel  
 Be-Cu  
 PTFE

Passivated  
 Passivated  
 Gold Plated

THIS DRAWING INCLUDING THE  
 DESIGNS IS THE PROPERTY OF  
 KONNECT RF AND IS NOT TO  
 BE USED FOR ANY PURPOSE  
 WITHOUT OUR APPROVAL.