

INA216EVM

This user's guide describes the characteristics, operation, and use of the INA216EVM evaluation module (EVM). This EVM is designed to evaluate the performance of the [INA216](#) family of voltage output current shunt monitors. This EVM has a flexible configuration, allowing for user evaluation suitable to a variety of applications. This document also includes a schematic and a complete bill of materials.

Contents

1	Introduction and Overview	2
2	Quick Start Setup and Use	4
3	INA216EVM Circuit	6
4	INA216EVM Schematic and PCB Layout	10
5	Bill of Materials	11

List of Figures

1	Hardware Included with the INA216EVM	3
2	Measurement with Shunt	4
3	Measurement without Shunt	5
4	TO-247 Package in R1	6
5	CS3 Package in R1	6
6	TO-126 Package in R1	6
7	TO-220 Package in R1	6
8	Radial Package in R2	8
9	U1 Footprint	9
10	U1 Populated With DIP Board	9
11	INA216EVM Schematic	10
12	INA216EVM Silkscreen Image (Top)	11

1 Introduction and Overview

1.1 INA216

The [INA216](#) devices are voltage output, high-side measurement, unidirectional, zero-drift current shunt monitors. This family of devices has gains that range from 25V/V to 200V/V. The voltage developed across the device inputs is amplified by the corresponding gain of the chosen device and is presented at the output pin. The INA216 devices can sense voltage drops across shunts at common-mode voltages between 1.8V to 5.5V. The low offset of the zero-drift architecture enables current sensing with maximum drops across the shunt as low as 10mV full-scale.

The INA216 is currently available in a wafer chip-scale package (WCSP). [Table 1](#) summarizes the available device options.

Table 1. INA216 Device Summary

Product	Gain
INA216A1	25
INA216A2	50
INA216A3	100
INA216A4	200

1.2 INA216EVM

The INA216EVM is intended to provide basic functional evaluation of this device family. The fixture layout is not intended to be a model for the target circuit, nor is it laid out for electromagnetic compatibility (EMC) testing.

The layout of the INA216EVM printed circuit board (PCB) is designed to provide these features:

- Easy handling of the small package; a mechanical drawing of the recommended land pattern is found at the end of the [product data sheet](#).
- Easy access to all pins of the device
- Space for optional input filtering capacitors and resistors as well as a prototype area for additional user-defined circuitry
- Space for shunt resistors of various footprints
- Evaluation of all gain options through provided device boards

The INA216EVM allows the user to install a shunt resistor, and then connect both the common-mode voltage and load to develop the input voltage, or to omit the shunt resistor and apply a differential voltage directly to the device input. This flexibility allows a user to test the device operation in a simulated manner as well as in an actual application.

Refer to the [INA216 product data sheet](#) for comprehensive information about the INA216 family of devices.

1.3 Hardware Included

The INA216 family of devices are available in a WCSP with each of the available gain versions provided in all INA216EVMs delivered, as [Figure 1](#) shows.

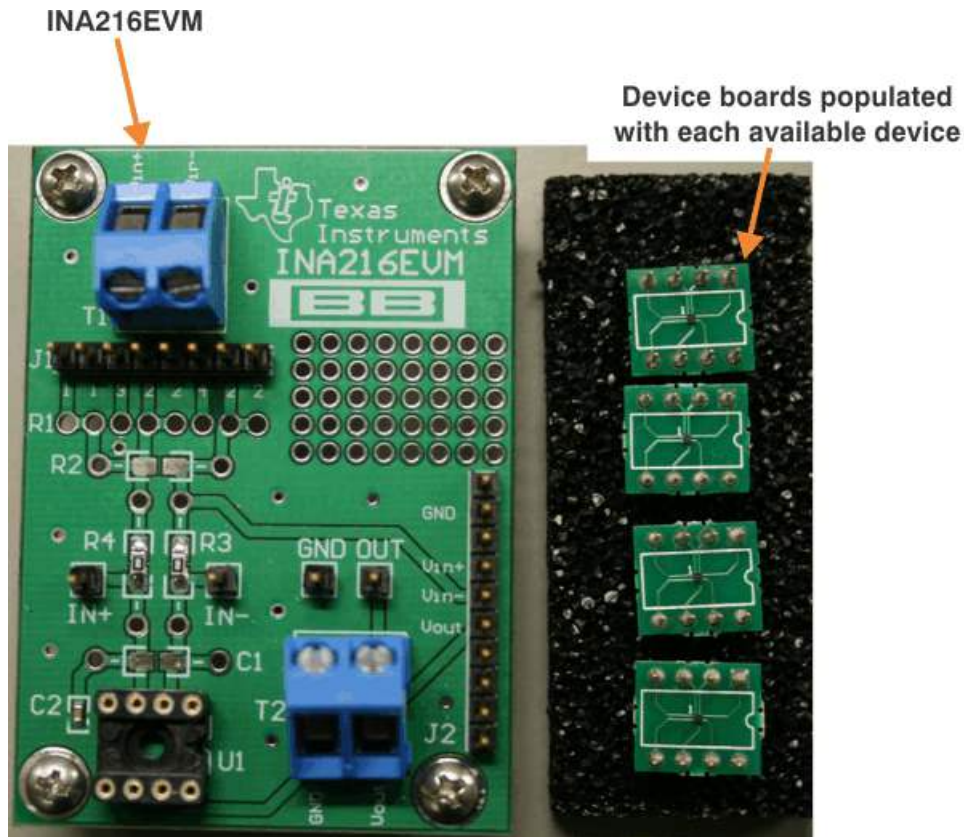


Figure 1. Hardware Included with the INA216EVM

The INA216EVM kit is shipped with the following items:

- INA216EVM PCB
- Four populated test boards (INA216A1, INA216A2, INA216A3, INA216A4)

If any of the items in the EVM kit shipment are missing or damaged, please contact the [Texas Instruments Product Information Center](#) nearest you to inquire about a replacement.

2 Quick Start Setup and Use

Follow these procedures to set up and use the INA216EVM.

- Step 1. Insert the device board to be evaluated into the U1 location. The U1 location allows the user to interchange device boards to evaluate the impact of implementing various gains in the design.
- Step 2. Connect the INA216 input pins to both the common-mode source as well as the load. The INA216 derives its supply voltage from the V_{IN+} input pin; as a result, the common-mode voltage is limited to a range of +1.8V to 5.5V. The INA216 is a unidirectional current shunt monitor, so the voltage drop created across the shunt resistor should be positive with respect to the V_{IN-} input pin in order for the device to operate correctly.

2.1 Measurement With Shunt

This connection method allows the user to install a shunt resistor on the evaluation board and connect the common-mode voltage and load to incorporate the test device directly into a sample application, as [Figure 2](#) illustrates. To configure a measurement evaluation with a shunt, follow these procedures.

1. Install shunt resistor into the R2 location. If not using a surface-mount or through-hole shunt, refer to [Section 3.1](#) for a summary of the R1 component specifications.
2. Connect the common-mode voltage to the V_{IN+} terminal of T1.
3. Connect load to the V_{IN-} terminal of T1.

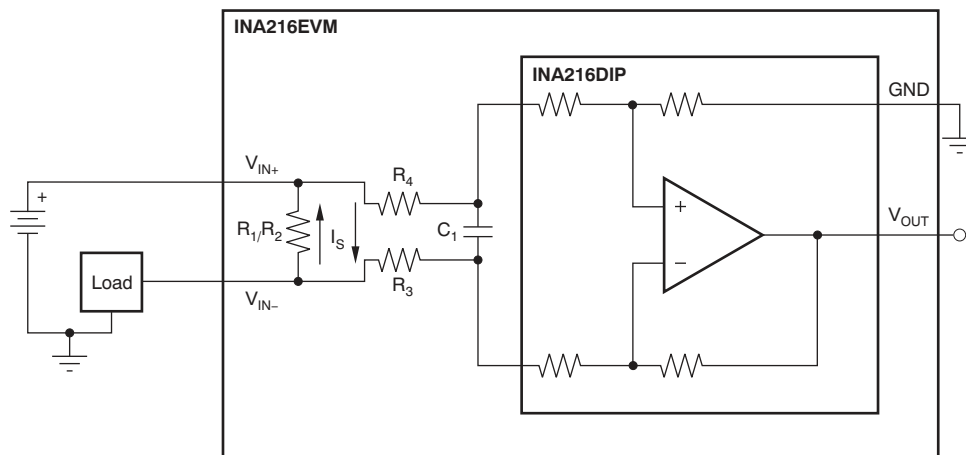


Figure 2. Measurement with Shunt

2.2 Measurement Without Shunt

This connection method allows the user to either simulate the voltage developed across a sense resistor based on a given set of system conditions, or to connect the INA216EVM remotely to an existing shunt already included in an example application. Figure 3 illustrates a measurement configuration without a shunt.

To configure a measurement evaluation without a shunt, follow these procedures.

1. Connect a differential voltage to the V_{IN+} and V_{IN-} terminals of T1. The INA216 can only accept positive differential signals, so the V_{IN+} terminal should always be larger than the V_{IN-} terminal or the output will be saturated into the lower rail.
2. Measure the output voltage at the V_{OUT} terminal of T2.

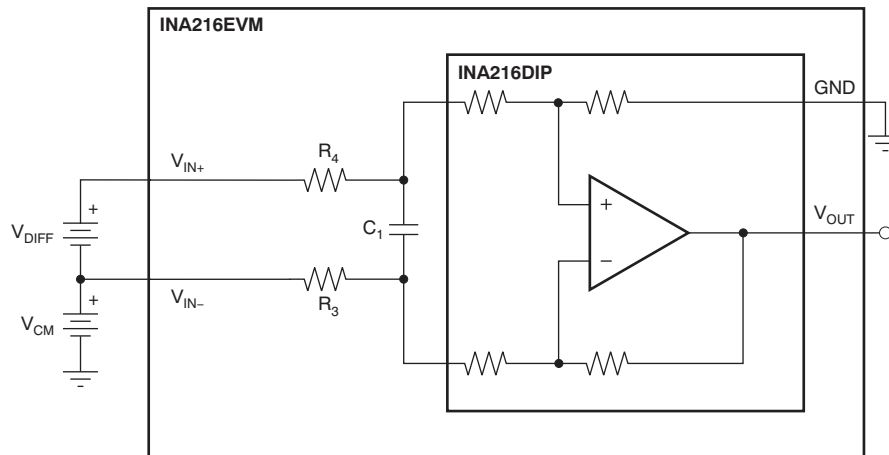


Figure 3. Measurement without Shunt

NOTE: The output voltage is equal to the gain of the device multiplied by the differential voltage measured directly at the device input pins.

3 INA216EVM Circuit

This section summarizes the INA216EVM components.

3.1 R1

R1 can be used for shunt resistors that have a package that is not easily adaptable to a standard, two-terminal, through-hole footprint or to a 0603 through 1206 surface-mount footprint. Specifically, this component location was added to allow for the use of TO-126, TO-220, TO-247, and four-terminal inline radial packages such as the CS3 series of shunts from Ohmite. The numbers located on the PCB between R1 and J1 correspond to each of the holes in the R1 footprint. Holes with the same number are connected together. The designation of 1 and 2 indicates that particular hole is connected directly to the V_{IN+} and V_{IN-} inputs, respectively. The designation of 3 and 4 indicates that particular hole is intended for the sense measurement of a four-wire shunt.

Care must be taken to ensure that the shunt is placed in the correct position in the R1 location. This placement consideration is evident when using a two-connection shunt with a spacing of 200 mils (.200in or 5,080mm). As shown in [Figure 4](#) through [Figure 7](#), the shunt must be placed in the second 1-designated hole in order for the other leg to fit into the 2 position. If the shunt is placed in the first 1 position, the second leg is left floating; no differential voltage is then generated for the current monitor.

Additional packages can be tested by using the provided prototype area of the board.



Figure 4. TO-247 Package in R1



Figure 5. CS3 Package in R1



Figure 6. TO-126 Package in R1

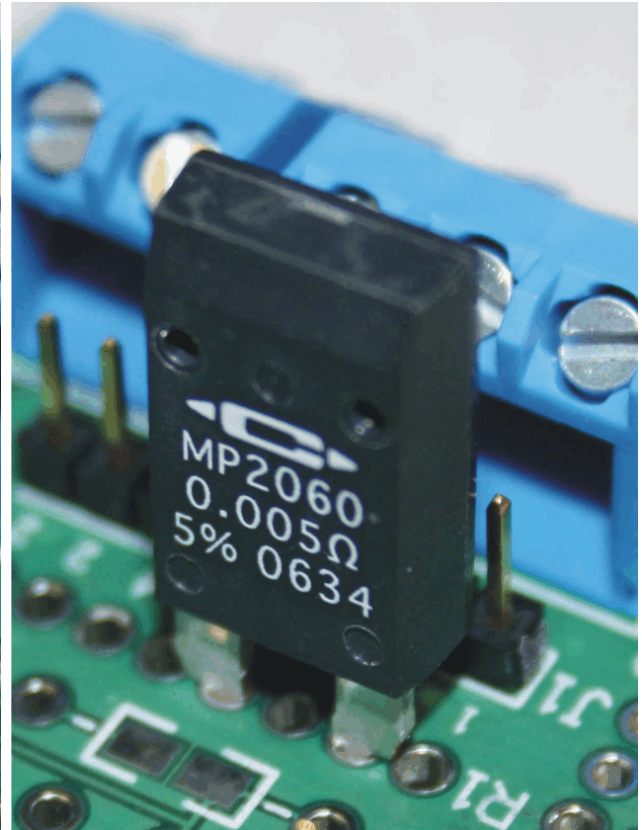


Figure 7. TO-220 Package in R1

3.2 R2

R2 is intended to handle two- and four-terminal radial packages (as [Figure 8](#) illustrates) as well as surface-mount packages that range in size from 0603 to 1206.

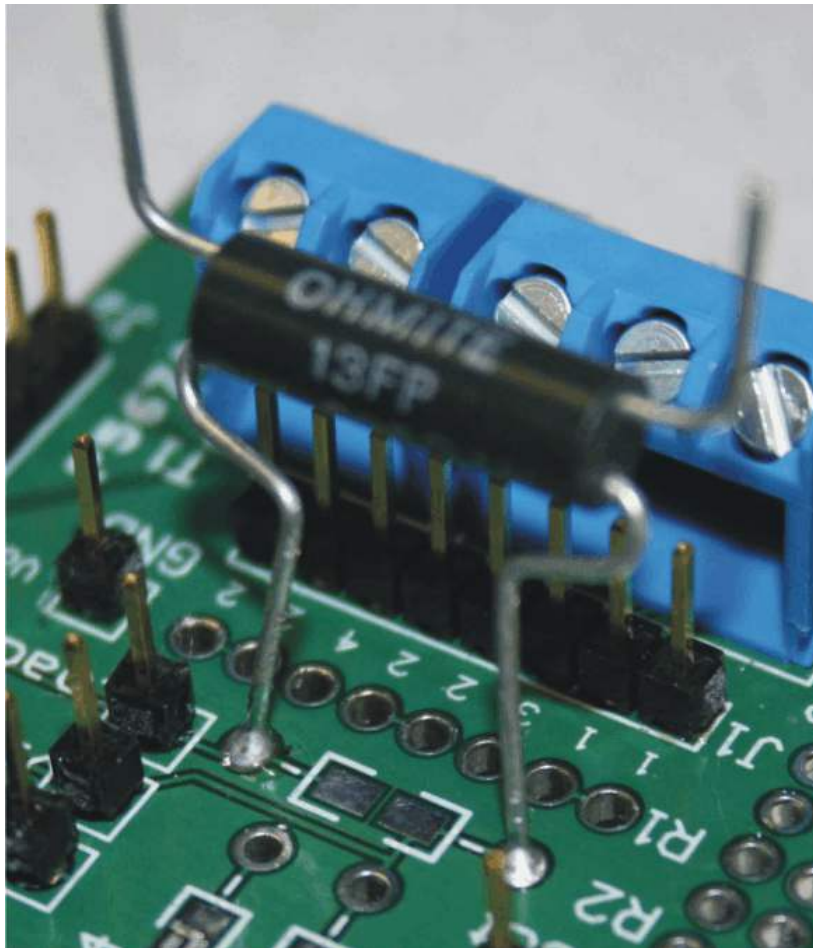


Figure 8. Radial Package in R2

3.3 R3, R4, C1

R3 and R4 are factory-installed 0Ω resistors. These resistors, in combination with C1, form an input filter. These locations allow for through-hole and surface-mount packages that range in size from 0603 to 1206. Additional information regarding the use of input filtering is provided in the [INA216 product data sheet](#).

3.4 Bypass Capacitors and Jumpers

C2 is a 0.1μF supply bypass capacitor.

J1 is intended to be used as measurements points of R1, if necessary.

J2 is used as a test port at the factory but can be used for the corresponding input and output pins, if desired.

3.5 U1

U1 is the location for the test device, as shown in [Figure 9](#). Four device boards are supplied with the INA216EVM board; each device board is populated with one of the available device gains. This interchangeable option allow users to test the devices and determine the gain setting that is best suited for a given application.

[Figure 10](#) shows the U1 slot populated with a DIP board device as an example.

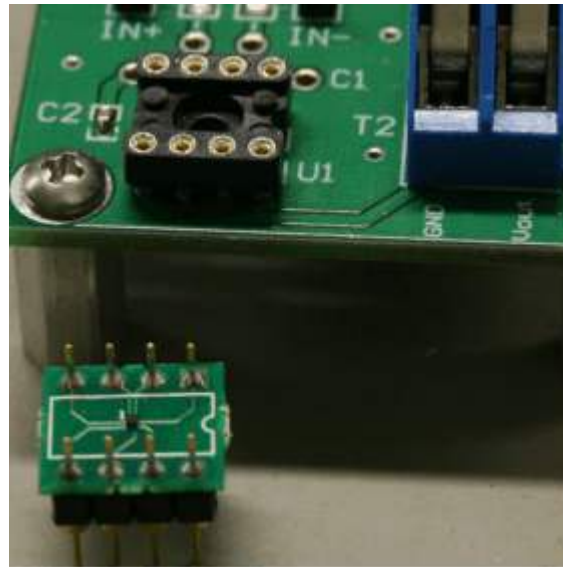


Figure 9. U1 Footprint

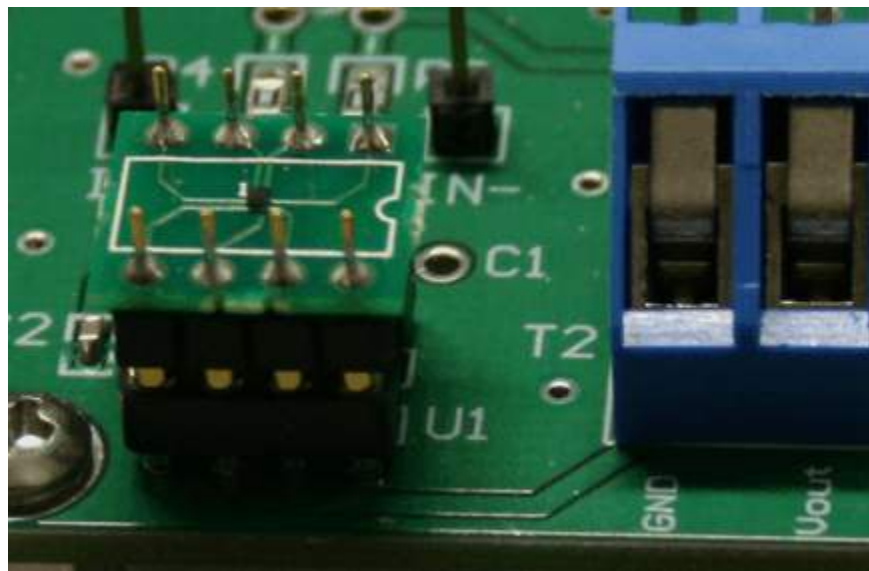


Figure 10. U1 Populated With DIP Board

There are several factors to consider when selecting the appropriate device:

- The INA216 devices are identical with the exception of different gain settings.
- The limiting factor that requires attention to be given to device selection is the output voltage.
- The output voltage has a restriction: it must remain within the range of 2mV above ground to 300mV below the supply voltage.
- The differential input voltage is either applied across the inputs, or developed based on the load current flowing through the shunt resistor.
- The selected device must allow the output voltage to remain within the acceptable range after the developed input voltage is amplified by the respective device gain.
- An output below the minimum allowable output requires the selection of a device with a higher gain. Likewise, an output above the maximum allowable output requires the selection of a device with a smaller gain.

3.6 Voltage Inputs

The V_{IN+} and V_{IN-} terminals of T1 can accept a differential voltage that is amplified by the selected device gain and is presented at the V_{OUT} terminal of T2. These inputs could also be used to connect the differential voltage developed across an external shunt in an existing circuit, a differential voltage applied directly to the V_{IN+} and V_{IN-} inputs, or by developing a differential voltage across an on-board shunt with the common-mode voltage and load connected. The common-mode voltage should be connected to the V_{IN+} terminal and the load should be connected to the V_{IN-} terminal. The shunt can be installed in R1 or R2, or the prototype area and wired to the R2 footprint.

4 INA216EVM Schematic and PCB Layout

4.1 Schematic

Figure 11 illustrates the INA216EVM schematic.

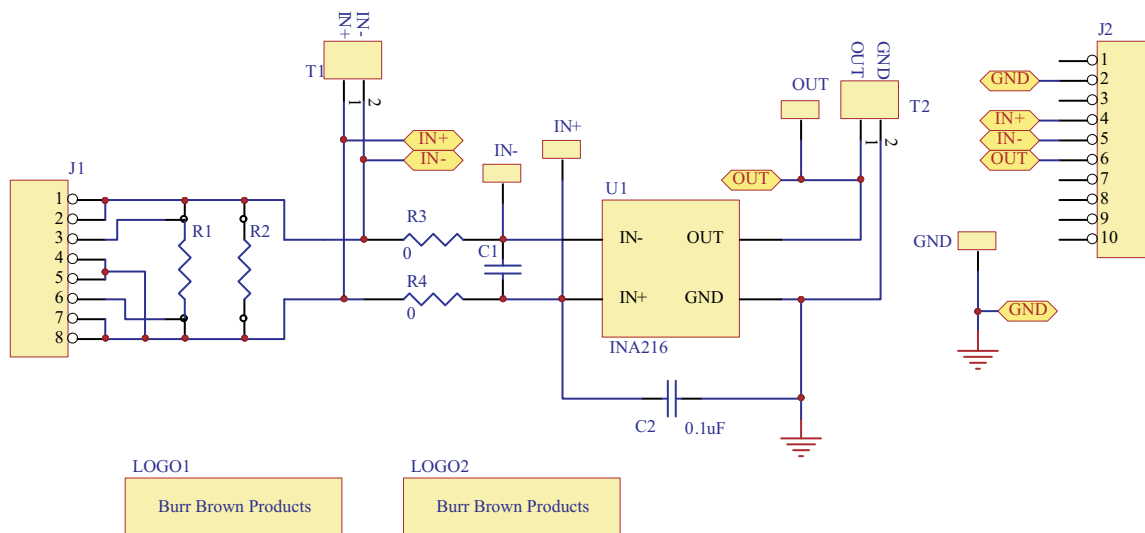


Figure 11. INA216EVM Schematic

4.2 PCB Layout

Figure 12 shows the INA216EVM PCB silkscreen image.

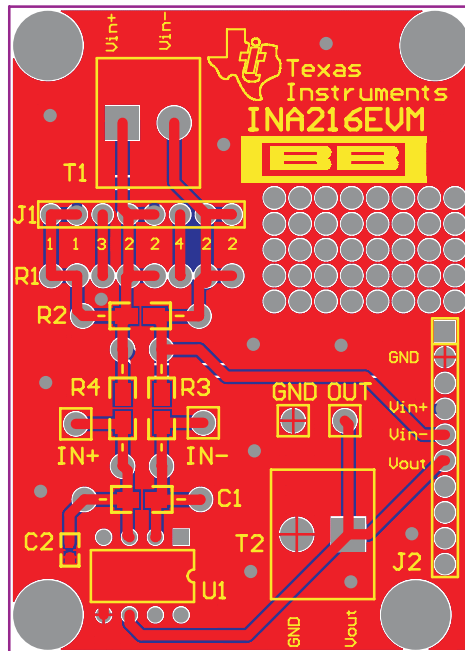


Figure 12. INA216EVM Silkscreen Image (Top)

5 Bill of Materials

Table 2 provides the parts list for the INA216EVM.

Table 2. INA216EVM Bill of Materials

Count	RefDes	Value	Description	Manufacturer	Part Number
Optional/ Not Installed	R1	N/A	TO-126, TO-220, TO-247, CS3 Packages		
Optional/ Not Installed	R2	N/A	Resistor, 0603-1206/Through-Hole		
2	R3, R4	0Ω	Resistor, 0Ω, 1/8W 5%, 0603-1206/Through-Hole	Panasonic - ECG	ERJ-6GEY0R00V
Optional/ Not Installed	C1	N/A	Capacitor, 0603-1206/Through-Hole		
1	C2	0.1μF	Capacitor, 0.1μF 50V X7R, 0603-1206/Through-Hole	Panasonic - ECG	ECJ-1VB1H104K
1	J1	N/A	Conn Header 32-Pos .100" Sgl Gold	Samtec	TSW-108-07-G-S
1	J2	N/A	Conn Header 32-Pos .100" Sgl	Samtec	TSW-110-07-G-S
4	All Test Points	N/A	Conn Header 32-Pos .100" Sgl Gold	Samtec	TSW-101-07-G-S
1	DIP Socket (U1)	N/A	IC Socket 8-Pin .300 Solder Tail	Mill-Max Manufacturing Corp.	210-43-308-41-001000
4	None	N/A	Screw, Machine, Phillips, Panhead 4-40X1/4 SS	Building Fasteners	PMSSS 440 0025 PH
4	None	N/A	Standoffs, Hex , 4-40 Threaded, 0.500" length, 0.250" OD	Keystone Electronics	2203
1	ESD Box	N/A	ESD Box for INA216A1DIP—INA216A4DIP	Protective PAK	37001
4	INA216A1DIP— INA216A4DIP	N/A	Populated DIP-Adapter Board	Texas Instruments	
2	T1, T2	N/A	2-Position Terminal Strip, Cage Clamp, 45°, 15A, Dove-tailed	On Shore Technology	ED300/2

Evaluation Board/Kit Important Notice

Texas Instruments (TI) provides the enclosed product(s) under the following conditions:

This evaluation board/kit is intended for use for **ENGINEERING DEVELOPMENT, DEMONSTRATION, OR EVALUATION PURPOSES ONLY** and is not considered by TI to be a finished end-product fit for general consumer use. Persons handling the product(s) must have electronics training and observe good engineering practice standards. As such, the goods being provided are not intended to be complete in terms of required design-, marketing-, and/or manufacturing-related protective considerations, including product safety and environmental measures typically found in end products that incorporate such semiconductor components or circuit boards. This evaluation board/kit does not fall within the scope of the European Union directives regarding electromagnetic compatibility, restricted substances (RoHS), recycling (WEEE), FCC, CE or UL, and therefore may not meet the technical requirements of these directives or other related directives.

Should this evaluation board/kit not meet the specifications indicated in the User's Guide, the board/kit may be returned within 30 days from the date of delivery for a full refund. **THE FOREGOING WARRANTY IS THE EXCLUSIVE WARRANTY MADE BY SELLER TO BUYER AND IS IN LIEU OF ALL OTHER WARRANTIES, EXPRESSED, IMPLIED, OR STATUTORY, INCLUDING ANY WARRANTY OF MERCHANTABILITY OR FITNESS FOR ANY PARTICULAR PURPOSE.**

The user assumes all responsibility and liability for proper and safe handling of the goods. Further, the user indemnifies TI from all claims arising from the handling or use of the goods. Due to the open construction of the product, it is the user's responsibility to take any and all appropriate precautions with regard to electrostatic discharge.

EXCEPT TO THE EXTENT OF THE INDEMNITY SET FORTH ABOVE, NEITHER PARTY SHALL BE LIABLE TO THE OTHER FOR ANY INDIRECT, SPECIAL, INCIDENTAL, OR CONSEQUENTIAL DAMAGES.

TI currently deals with a variety of customers for products, and therefore our arrangement with the user **is not exclusive.**

TI assumes **no liability for applications assistance, customer product design, software performance, or infringement of patents or services described herein.**

Please read the User's Guide and, specifically, the Warnings and Restrictions notice in the User's Guide prior to handling the product. This notice contains important safety information about temperatures and voltages. For additional information on TI's environmental and/or safety programs, please contact the TI application engineer or visit www.ti.com/esh.

No license is granted under any patent right or other intellectual property right of TI covering or relating to any machine, process, or combination in which such TI products or services might be or are used.

FCC Warning

This evaluation board/kit is intended for use for **ENGINEERING DEVELOPMENT, DEMONSTRATION, OR EVALUATION PURPOSES ONLY** and is not considered by TI to be a finished end-product fit for general consumer use. It generates, uses, and can radiate radio frequency energy and has not been tested for compliance with the limits of computing devices pursuant to part 15 of FCC rules, which are designed to provide reasonable protection against radio frequency interference. Operation of this equipment in other environments may cause interference with radio communications, in which case the user at his own expense will be required to take whatever measures may be required to correct this interference.

EVM Warnings and Restrictions

It is important to operate this EVM within the input voltage range of 1.8V to 5.5V and the output voltage range of 0V to 5V.

Exceeding the specified input range may cause unexpected operation and/or irreversible damage to the EVM. If there are questions concerning the input range, please contact a TI field representative prior to connecting the input power.

Applying loads outside of the specified output range may result in unintended operation and/or possible permanent damage to the EVM. Please consult the EVM User's Guide prior to connecting any load to the EVM output. If there is uncertainty as to the load specification, please contact a TI field representative.

During normal operation, some circuit components may have case temperatures greater than +25°C. The EVM is designed to operate properly with certain components above +25°C as long as the input and output ranges are maintained. These components include but are not limited to linear regulators, switching transistors, pass transistors, and current sense resistors. These types of devices can be identified using the EVM schematic located in the EVM User's Guide. When placing measurement probes near these devices during operation, please be aware that these devices may be very warm to the touch.

Mailing Address: Texas Instruments, Post Office Box 655303, Dallas, Texas 75265
Copyright © 2011, Texas Instruments Incorporated

EVALUATION BOARD/KIT/MODULE (EVM) ADDITIONAL TERMS

Texas Instruments (TI) provides the enclosed Evaluation Board/Kit/Module (EVM) under the following conditions:

The user assumes all responsibility and liability for proper and safe handling of the goods. Further, the user indemnifies TI from all claims arising from the handling or use of the goods.

Should this evaluation board/kit not meet the specifications indicated in the User's Guide, the board/kit may be returned within 30 days from the date of delivery for a full refund. THE FOREGOING LIMITED WARRANTY IS THE EXCLUSIVE WARRANTY MADE BY SELLER TO BUYER AND IS IN LIEU OF ALL OTHER WARRANTIES, EXPRESSED, IMPLIED, OR STATUTORY, INCLUDING ANY WARRANTY OF MERCHANTABILITY OR FITNESS FOR ANY PARTICULAR PURPOSE. EXCEPT TO THE EXTENT OF THE INDEMNITY SET FORTH ABOVE, NEITHER PARTY SHALL BE LIABLE TO THE OTHER FOR ANY INDIRECT, SPECIAL, INCIDENTAL, OR CONSEQUENTIAL DAMAGES.

Please read the User's Guide and, specifically, the Warnings and Restrictions notice in the User's Guide prior to handling the product. This notice contains important safety information about temperatures and voltages. For additional information on TI's environmental and/or safety programs, please visit www.ti.com/esh or contact TI.

No license is granted under any patent right or other intellectual property right of TI covering or relating to any machine, process, or combination in which such TI products or services might be or are used. TI currently deals with a variety of customers for products, and therefore our arrangement with the user is not exclusive. TI assumes no liability for applications assistance, customer product design, software performance, or infringement of patents or services described herein.

REGULATORY COMPLIANCE INFORMATION

As noted in the EVM User's Guide and/or EVM itself, this EVM and/or accompanying hardware may or may not be subject to the Federal Communications Commission (FCC) and Industry Canada (IC) rules.

For EVMs **not** subject to the above rules, this evaluation board/kit/module is intended for use for ENGINEERING DEVELOPMENT, DEMONSTRATION OR EVALUATION PURPOSES ONLY and is not considered by TI to be a finished end product fit for general consumer use. It generates, uses, and can radiate radio frequency energy and has not been tested for compliance with the limits of computing devices pursuant to part 15 of FCC or ICES-003 rules, which are designed to provide reasonable protection against radio frequency interference. Operation of the equipment may cause interference with radio communications, in which case the user at his own expense will be required to take whatever measures may be required to correct this interference.

General Statement for EVMs including a radio

User Power/Frequency Use Obligations: This radio is intended for development/professional use only in legally allocated frequency and power limits. Any use of radio frequencies and/or power availability of this EVM and its development application(s) must comply with local laws governing radio spectrum allocation and power limits for this evaluation module. It is the user's sole responsibility to only operate this radio in legally acceptable frequency space and within legally mandated power limitations. Any exceptions to this are strictly prohibited and unauthorized by Texas Instruments unless user has obtained appropriate experimental/development licenses from local regulatory authorities, which is responsibility of user including its acceptable authorization.

For EVMs annotated as FCC – FEDERAL COMMUNICATIONS COMMISSION Part 15 Compliant

Caution

This device complies with part 15 of the FCC Rules. Operation is subject to the following two conditions: (1) This device may not cause harmful interference, and (2) this device must accept any interference received, including interference that may cause undesired operation.

Changes or modifications not expressly approved by the party responsible for compliance could void the user's authority to operate the equipment.

FCC Interference Statement for Class A EVM devices

This equipment has been tested and found to comply with the limits for a Class A digital device, pursuant to part 15 of the FCC Rules. These limits are designed to provide reasonable protection against harmful interference when the equipment is operated in a commercial environment. This equipment generates, uses, and can radiate radio frequency energy and, if not installed and used in accordance with the instruction manual, may cause harmful interference to radio communications. Operation of this equipment in a residential area is likely to cause harmful interference in which case the user will be required to correct the interference at his own expense.

FCC Interference Statement for Class B EVM devices

This equipment has been tested and found to comply with the limits for a Class B digital device, pursuant to part 15 of the FCC Rules. These limits are designed to provide reasonable protection against harmful interference in a residential installation. This equipment generates, uses and can radiate radio frequency energy and, if not installed and used in accordance with the instructions, may cause harmful interference to radio communications. However, there is no guarantee that interference will not occur in a particular installation. If this equipment does cause harmful interference to radio or television reception, which can be determined by turning the equipment off and on, the user is encouraged to try to correct the interference by one or more of the following measures:

- Reorient or relocate the receiving antenna.
- Increase the separation between the equipment and receiver.
- Connect the equipment into an outlet on a circuit different from that to which the receiver is connected.
- Consult the dealer or an experienced radio/TV technician for help.

For EVMs annotated as IC – INDUSTRY CANADA Compliant

This Class A or B digital apparatus complies with Canadian ICES-003.

Changes or modifications not expressly approved by the party responsible for compliance could void the user's authority to operate the equipment.

Concerning EVMs including radio transmitters

This device complies with Industry Canada licence-exempt RSS standard(s). Operation is subject to the following two conditions: (1) this device may not cause interference, and (2) this device must accept any interference, including interference that may cause undesired operation of the device.

Concerning EVMs including detachable antennas

Under Industry Canada regulations, this radio transmitter may only operate using an antenna of a type and maximum (or lesser) gain approved for the transmitter by Industry Canada. To reduce potential radio interference to other users, the antenna type and its gain should be so chosen that the equivalent isotropically radiated power (e.i.r.p.) is not more than that necessary for successful communication.

This radio transmitter has been approved by Industry Canada to operate with the antenna types listed in the user guide with the maximum permissible gain and required antenna impedance for each antenna type indicated. Antenna types not included in this list, having a gain greater than the maximum gain indicated for that type, are strictly prohibited for use with this device.

Cet appareil numérique de la classe A ou B est conforme à la norme NMB-003 du Canada.

Les changements ou les modifications pas expressément approuvés par la partie responsable de la conformité ont pu vider l'autorité de l'utilisateur pour actionner l'équipement.

Concernant les EVMs avec appareils radio

Le présent appareil est conforme aux CNR d'Industrie Canada applicables aux appareils radio exempts de licence. L'exploitation est autorisée aux deux conditions suivantes : (1) l'appareil ne doit pas produire de brouillage, et (2) l'utilisateur de l'appareil doit accepter tout brouillage radioélectrique subi, même si le brouillage est susceptible d'en compromettre le fonctionnement.

Concernant les EVMs avec antennes détachables

Conformément à la réglementation d'Industrie Canada, le présent émetteur radio peut fonctionner avec une antenne d'un type et d'un gain maximal (ou inférieur) approuvé pour l'émetteur par Industrie Canada. Dans le but de réduire les risques de brouillage radioélectrique à l'intention des autres utilisateurs, il faut choisir le type d'antenne et son gain de sorte que la puissance isotrope rayonnée équivalente (p.i.r.e.) ne dépasse pas l'intensité nécessaire à l'établissement d'une communication satisfaisante.

Le présent émetteur radio a été approuvé par Industrie Canada pour fonctionner avec les types d'antenne énumérés dans le manuel d'usage et ayant un gain admissible maximal et l'impédance requise pour chaque type d'antenne. Les types d'antenne non inclus dans cette liste, ou dont le gain est supérieur au gain maximal indiqué, sont strictement interdits pour l'exploitation de l'émetteur.

【Important Notice for Users of this Product in Japan】

This development kit is NOT certified as Confirming to Technical Regulations of Radio Law of Japan

If you use this product in Japan, you are required by Radio Law of Japan to follow the instructions below with respect to this product:

1. Use this product in a shielded room or any other test facility as defined in the notification #173 issued by Ministry of Internal Affairs and Communications on March 28, 2006, based on Sub-section 1.1 of Article 6 of the Ministry's Rule for Enforcement of Radio Law of Japan,
2. Use this product only after you obtained the license of Test Radio Station as provided in Radio Law of Japan with respect to this product, or
3. Use of this product only after you obtained the Technical Regulations Conformity Certification as provided in Radio Law of Japan with respect to this product. Also, please do not transfer this product, unless you give the same notice above to the transferee. Please note that if you could not follow the instructions above, you will be subject to penalties of Radio Law of Japan.

Texas Instruments Japan Limited
(address) 24-1, Nishi-Shinjuku 6 chome, Shinjuku-ku, Tokyo, Japan

<http://www.tij.co.jp>

【ご使用にあたっての注】

本開発キットは技術基準適合証明を受けておりません。

本製品のご使用に際しては、電波法遵守のため、以下のいずれかの措置を取っていただく必要がありますのでご注意ください。

1. 電波法施行規則第6条第1項第1号に基づく平成18年3月28日総務省告示第173号で定められた電波暗室等の試験設備でご使用いただく。
2. 実験局の免許を取得後ご使用いただく。
3. 技術基準適合証明を取得後ご使用いただく。

なお、本製品は、上記の「ご使用にあたっての注意」を譲渡先、移転先に通知しない限り、譲渡、移転できないものとします。

上記を遵守頂けない場合は、電波法の罰則が適用される可能性があることをご留意ください。

日本テキサス・インスツルメンツ株式会社
東京都新宿区西新宿6丁目24番1号
西新宿三井ビル

<http://www.tij.co.jp>

EVALUATION BOARD/KIT/MODULE (EVM) WARNINGS, RESTRICTIONS AND DISCLAIMERS

For Feasibility Evaluation Only, in Laboratory/Development Environments. Unless otherwise indicated, this EVM is not a finished electrical equipment and not intended for consumer use. It is intended solely for use for preliminary feasibility evaluation in laboratory/development environments by technically qualified electronics experts who are familiar with the dangers and application risks associated with handling electrical mechanical components, systems and subsystems. It should not be used as all or part of a finished end product.

Your Sole Responsibility and Risk. You acknowledge, represent and agree that:

1. You have unique knowledge concerning Federal, State and local regulatory requirements (including but not limited to Food and Drug Administration regulations, if applicable) which relate to your products and which relate to your use (and/or that of your employees, affiliates, contractors or designees) of the EVM for evaluation, testing and other purposes.
2. You have full and exclusive responsibility to assure the safety and compliance of your products with all such laws and other applicable regulatory requirements, and also to assure the safety of any activities to be conducted by you and/or your employees, affiliates, contractors or designees, using the EVM. Further, you are responsible to assure that any interfaces (electronic and/or mechanical) between the EVM and any human body are designed with suitable isolation and means to safely limit accessible leakage currents to minimize the risk of electrical shock hazard.
3. You will employ reasonable safeguards to ensure that your use of the EVM will not result in any property damage, injury or death, even if the EVM should fail to perform as described or expected.
4. You will take care of proper disposal and recycling of the EVM's electronic components and packing materials.

Certain Instructions. It is important to operate this EVM within TI's recommended specifications and environmental considerations per the user guidelines. Exceeding the specified EVM ratings (including but not limited to input and output voltage, current, power, and environmental ranges) may cause property damage, personal injury or death. If there are questions concerning these ratings please contact a TI field representative prior to connecting interface electronics including input power and intended loads. Any loads applied outside of the specified output range may result in unintended and/or inaccurate operation and/or possible permanent damage to the EVM and/or interface electronics. Please consult the EVM User's Guide prior to connecting any load to the EVM output. If there is uncertainty as to the load specification, please contact a TI field representative. During normal operation, some circuit components may have case temperatures greater than 60°C as long as the input and output are maintained at a normal ambient operating temperature. These components include but are not limited to linear regulators, switching transistors, pass transistors, and current sense resistors which can be identified using the EVM schematic located in the EVM User's Guide. When placing measurement probes near these devices during normal operation, please be aware that these devices may be very warm to the touch. As with all electronic evaluation tools, only qualified personnel knowledgeable in electronic measurement and diagnostics normally found in development environments should use these EVMs.

Agreement to Defend, Indemnify and Hold Harmless. You agree to defend, indemnify and hold TI, its licensors and their representatives harmless from and against any and all claims, damages, losses, expenses, costs and liabilities (collectively, "Claims") arising out of or in connection with any use of the EVM that is not in accordance with the terms of the agreement. This obligation shall apply whether Claims arise under law of tort or contract or any other legal theory, and even if the EVM fails to perform as described or expected.

Safety-Critical or Life-Critical Applications. If you intend to evaluate the components for possible use in safety critical applications (such as life support) where a failure of the TI product would reasonably be expected to cause severe personal injury or death, such as devices which are classified as FDA Class III or similar classification, then you must specifically notify TI of such intent and enter into a separate Assurance and Indemnity Agreement.

Mailing Address: Texas Instruments, Post Office Box 655303, Dallas, Texas 75265
Copyright © 2012, Texas Instruments Incorporated

IMPORTANT NOTICE

Texas Instruments Incorporated and its subsidiaries (TI) reserve the right to make corrections, enhancements, improvements and other changes to its semiconductor products and services per JESD46, latest issue, and to discontinue any product or service per JESD48, latest issue. Buyers should obtain the latest relevant information before placing orders and should verify that such information is current and complete. All semiconductor products (also referred to herein as "components") are sold subject to TI's terms and conditions of sale supplied at the time of order acknowledgment.

TI warrants performance of its components to the specifications applicable at the time of sale, in accordance with the warranty in TI's terms and conditions of sale of semiconductor products. Testing and other quality control techniques are used to the extent TI deems necessary to support this warranty. Except where mandated by applicable law, testing of all parameters of each component is not necessarily performed.

TI assumes no liability for applications assistance or the design of Buyers' products. Buyers are responsible for their products and applications using TI components. To minimize the risks associated with Buyers' products and applications, Buyers should provide adequate design and operating safeguards.

TI does not warrant or represent that any license, either express or implied, is granted under any patent right, copyright, mask work right, or other intellectual property right relating to any combination, machine, or process in which TI components or services are used. Information published by TI regarding third-party products or services does not constitute a license to use such products or services or a warranty or endorsement thereof. Use of such information may require a license from a third party under the patents or other intellectual property of the third party, or a license from TI under the patents or other intellectual property of TI.

Reproduction of significant portions of TI information in TI data books or data sheets is permissible only if reproduction is without alteration and is accompanied by all associated warranties, conditions, limitations, and notices. TI is not responsible or liable for such altered documentation. Information of third parties may be subject to additional restrictions.

Resale of TI components or services with statements different from or beyond the parameters stated by TI for that component or service voids all express and any implied warranties for the associated TI component or service and is an unfair and deceptive business practice. TI is not responsible or liable for any such statements.

Buyer acknowledges and agrees that it is solely responsible for compliance with all legal, regulatory and safety-related requirements concerning its products, and any use of TI components in its applications, notwithstanding any applications-related information or support that may be provided by TI. Buyer represents and agrees that it has all the necessary expertise to create and implement safeguards which anticipate dangerous consequences of failures, monitor failures and their consequences, lessen the likelihood of failures that might cause harm and take appropriate remedial actions. Buyer will fully indemnify TI and its representatives against any damages arising out of the use of any TI components in safety-critical applications.

In some cases, TI components may be promoted specifically to facilitate safety-related applications. With such components, TI's goal is to help enable customers to design and create their own end-product solutions that meet applicable functional safety standards and requirements. Nonetheless, such components are subject to these terms.

No TI components are authorized for use in FDA Class III (or similar life-critical medical equipment) unless authorized officers of the parties have executed a special agreement specifically governing such use.

Only those TI components which TI has specifically designated as military grade or "enhanced plastic" are designed and intended for use in military/aerospace applications or environments. Buyer acknowledges and agrees that any military or aerospace use of TI components which have **not** been so designated is solely at the Buyer's risk, and that Buyer is solely responsible for compliance with all legal and regulatory requirements in connection with such use.

TI has specifically designated certain components which meet ISO/TS16949 requirements, mainly for automotive use. Components which have not been so designated are neither designed nor intended for automotive use; and TI will not be responsible for any failure of such components to meet such requirements.

Products

Audio	www.ti.com/audio
Amplifiers	amplifier.ti.com
Data Converters	dataconverter.ti.com
DLP® Products	www.dlp.com
DSP	dsp.ti.com
Clocks and Timers	www.ti.com/clocks
Interface	interface.ti.com
Logic	logic.ti.com
Power Mgmt	power.ti.com
Microcontrollers	microcontroller.ti.com
RFID	www.ti-rfid.com
OMAP Applications Processors	www.ti.com/omap
Wireless Connectivity	www.ti.com/wirelessconnectivity

Applications

Automotive and Transportation	www.ti.com/automotive
Communications and Telecom	www.ti.com/communications
Computers and Peripherals	www.ti.com/computers
Consumer Electronics	www.ti.com/consumer-apps
Energy and Lighting	www.ti.com/energy
Industrial	www.ti.com/industrial
Medical	www.ti.com/medical
Security	www.ti.com/security
Space, Avionics and Defense	www.ti.com/space-avionics-defense
Video and Imaging	www.ti.com/video

TI E2E Community

e2e.ti.com