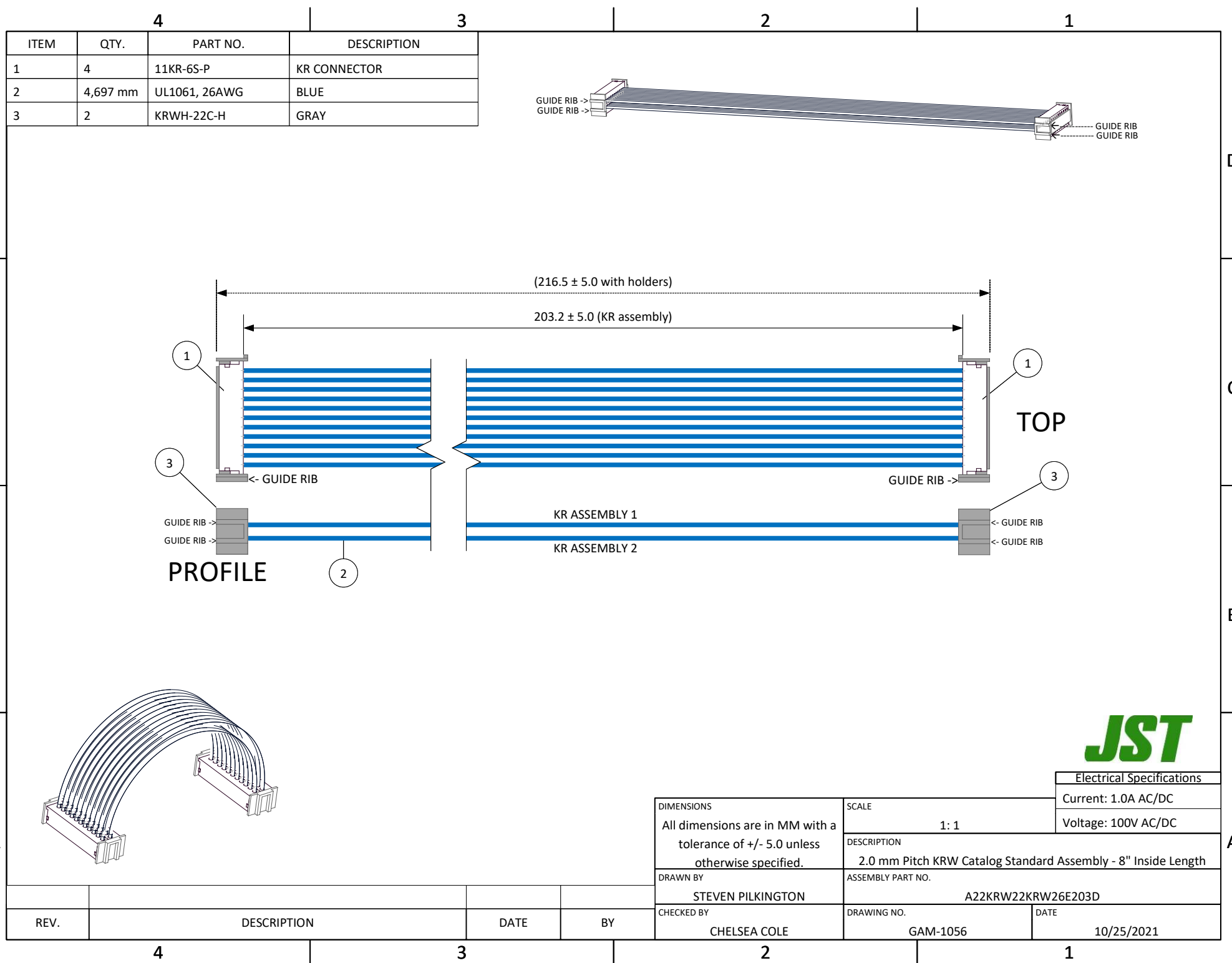
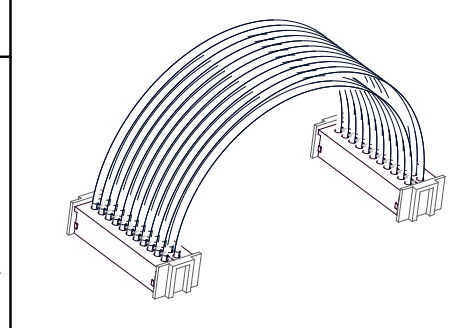
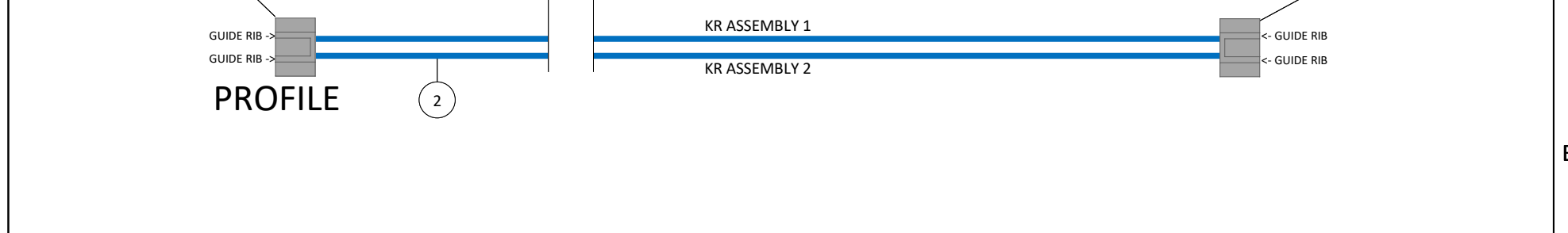
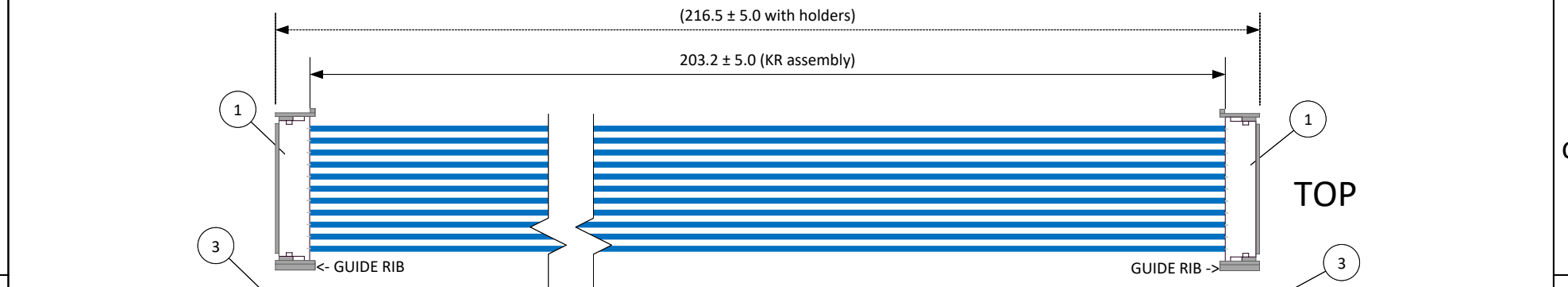


THIS DRAWING CONTAINS INFORMATION THAT IS PROPRIETARY TO J.S.T. AND SHALL NOT BE USED OR SHOWN WITHOUT WRITTEN PERMISSION.



ITEM	QTY.	PART NO.	DESCRIPTION
1	4	11KR-6S-P	KR CONNECTOR
2	4,697 mm	UL1061, 26AWG	BLUE
3	2	KRWH-22C-H	GRAY



DIMENSIONS		SCALE	Electrical Specifications	
All dimensions are in MM with a tolerance of +/- 5.0 unless otherwise specified.		1: 1	Current: 1.0A AC/DC	
DRAWN BY		DESCRIPTION	Voltage: 100V AC/DC	
STEVEN PILKINGTON			2.0 mm Pitch KRW Catalog Standard Assembly - 8" Inside Length	
CHECKED BY		ASSEMBLY PART NO.	A22KRW22KRW26E203D	
REV.	DESCRIPTION	DRAWING NO.	DATE	
		GAM-1056	10/25/2021	

REV.	DESCRIPTION	DATE	BY