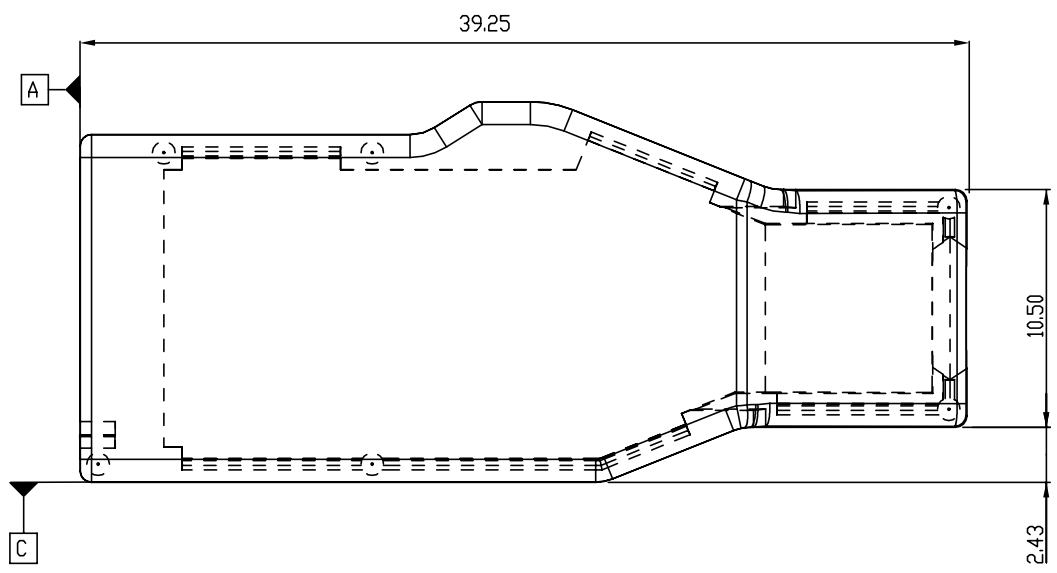
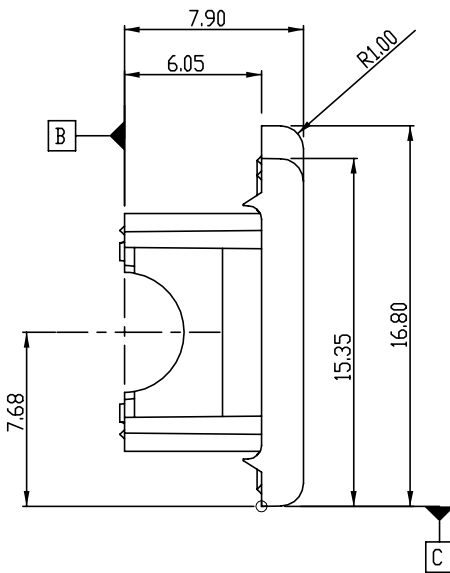
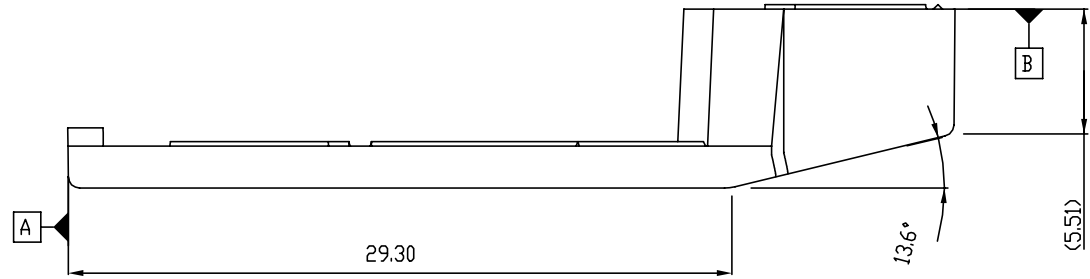

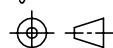


PRODUCT NUMBER
SEE CHART IN PAGE 4



Copyright FCI.

mat'l code				SEE NOTE		tolerances unless otherwise specified		CUSTOMER		 www.fciconnect.com	
ltr	ecn no.	dr	date	linear	.X ± 0.3		COPY		 projection	title	
A	V01732	RJR	08/02/2000		.XX ± 0.10		MM			LEFT PLUG COVER	
B	N09-0123	R.B	04/23/2009		.XXX ± 0.05		← →			USB+ POWER	
C	ECN-ELX-N-006072	A.ZH	09/20/2011	angles	0° ± 2°		scale		product family		
D	ECN-ELX-N-010648	A.ZH	03/13/2012	dr	R.RINEHART	8/2/00	3:1		USB		
				engr	B.Macmullin	8/2/00			code		
				chr	B.Macmullin	8/2/00			size		
				appd	B.Macmullin	8/2/00			dwg no		
sheet	revision	D							A4		
index	sheet	1~4							98047		
									sheet		
									1 of 4		

REV F - 2006-04-17

1

2

3

4

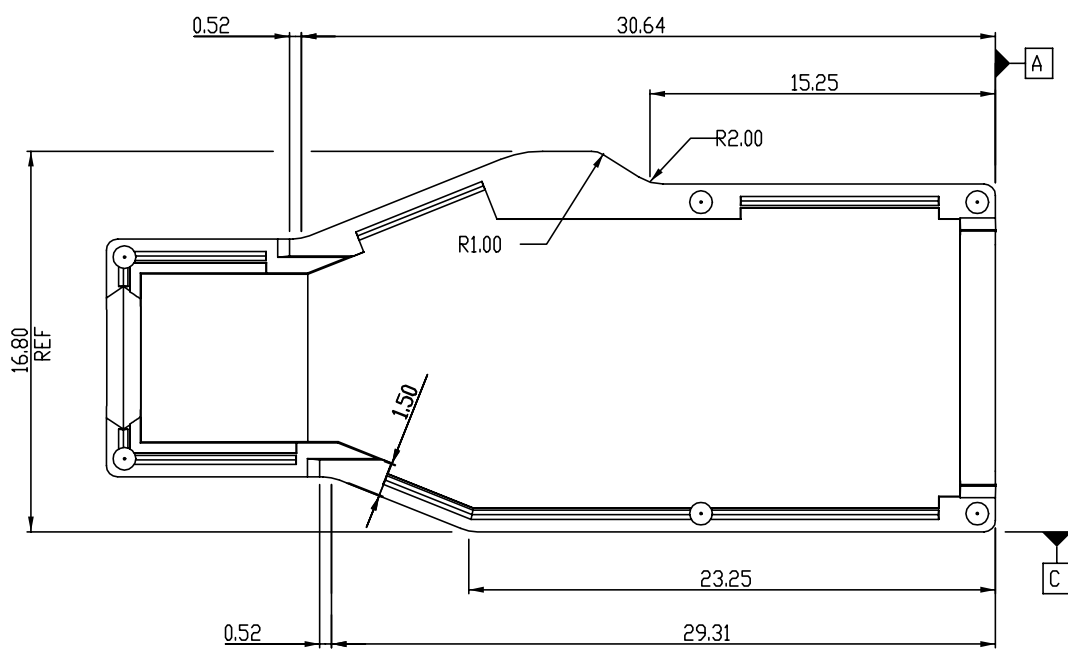
PRODUCT NUMBER
SEE CHART IN PAGE 4

A

B

C

D



A


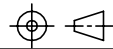
B

C

D



Copyright FCI.

mat'l code		SEE NOTE		tolerances unless otherwise specified		CUSTOMER		 www.fciconnect.com	
ltr	ecn no.	dr	date	linear	.X ± 0.3	COPY		projection	title LEFT PLUG COVER USB+ POWER
D					.XX ± 0.10				
					.XXX ± 0.05	MM			
				angles	0° ± 2°	scale		product family	code
		dr	R.RINEHART	8/2/00		3:1		USB	
		engr	B.Macmullin	8/2/00				size	dwg no
		chr	B.Macmullin	8/2/00				A4	98047
		appd	B.Macmullin	8/2/00					sheet
sheet	revision								2 of 4
index	sheet								

REV F - 2006-04-17

1

2

3

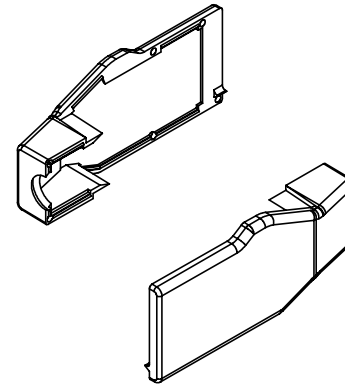
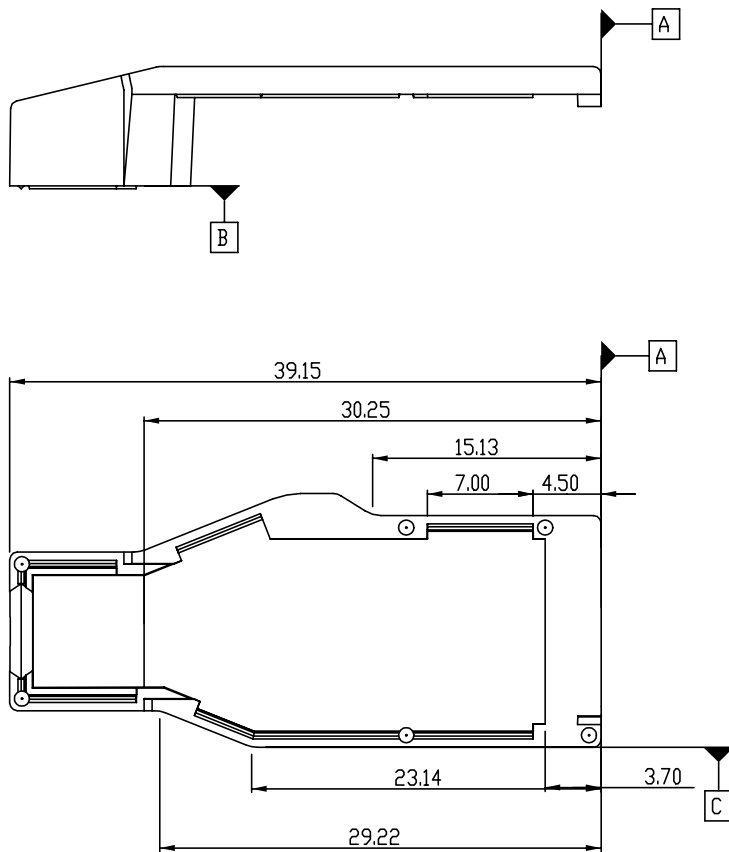
4

PDS: Rev :D

STATUS:Released

Printed: Mar 15, 2012

PRODUCT NUMBER
98047-004S




PRODUCT NO.	COLOR	CABLE OD
98047-004S	PEBBLE GRAY	ø5.10±0.25

UNSPECIFIED DIMENSIONS SAME AS 98047-002.

SCALE 2.000

Copyright FCI.

mat'l code		SEE NOTE		tolerances unless otherwise specified		CUSTOMER		 www.fciconnect.com		
ltr	ecm no.	dr	date	linear	.X ± 0.3	COPY		projection	title	
D					.XX ± 0.10	MM				LEFT PLUG COVER
					.XXX ± 0.05	← →				
				angles	0° ± 2°	scale		product family	code	
				dr	R.RINEHART 8/2/00	2:1		USB		
				engr	B.Macmullin 8/2/00			size	dwg no	
				chr	B.Macmullin 8/2/00			A4	98047	
				appd	B.Macmullin 8/2/00				sheet	
sheet	revision								3 of 4	
index	sheet									

1

2

3

4

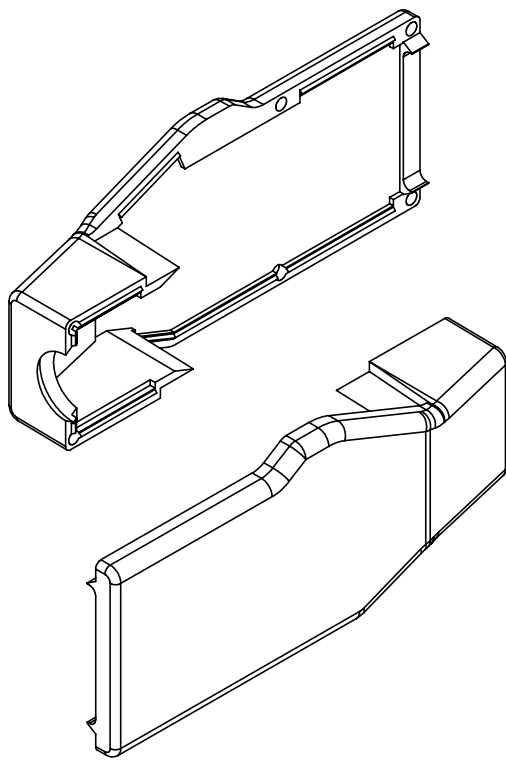
PRODUCT NUMBER
SEE CHART IN PAGE 4

A

B

C

D



PRODUCT NO.	COLOR	STYLE	CABLE OD
98047-001S	PEBBLE GRAY	A	Ø5.80±0.25
98047-002S		A	Ø5.10±0.25
98047-003S		A	Ø6.60±0.25
98047-101S	BLACK	A	Ø5.80±0.25
98047-102S		A	Ø5.10±0.25
98047-103S		A	Ø6.60±0.25

NOTES:

- MATERIAL: PC+ABS, COLOR: SEE TABLE.
- DIMENSIONS AND TOLERANCES ARE IN ACCORDANCE WITH ASME Y14.5M, 1994.
- UNSPECIFIED RADII TO BE 0.20mm.



Copyright FCI.

mat'l code				SEE NOTE		tolerances unless otherwise specified		CUSTOMER		 www.fciconnect.com	
ltr	ecn no.	dr	date	linear	.X ± 0.3		COPY		 projection	title	
D					.XX ± 0.10		MM			LEFT PLUG COVER	
					.XXX ± 0.05		←→			USB+ POWER	
				angles	0° ± 2°		scale		product family		
				dr	R.RINEHART	8/2/00	2:1		USB		
				engr	B.Macmullin	8/2/00			code		
				chr	B.Macmullin	8/2/00			size		
				appd	B.Macmullin	8/2/00			dwg no		
sheet		revision						A4		98047	
index		sheet								sheet	
										4 of 4	

REV F - 2006-04-17

1

2

3

4

PDS: Rev :D

STATUS:Released

Printed: Mar 15, 2012