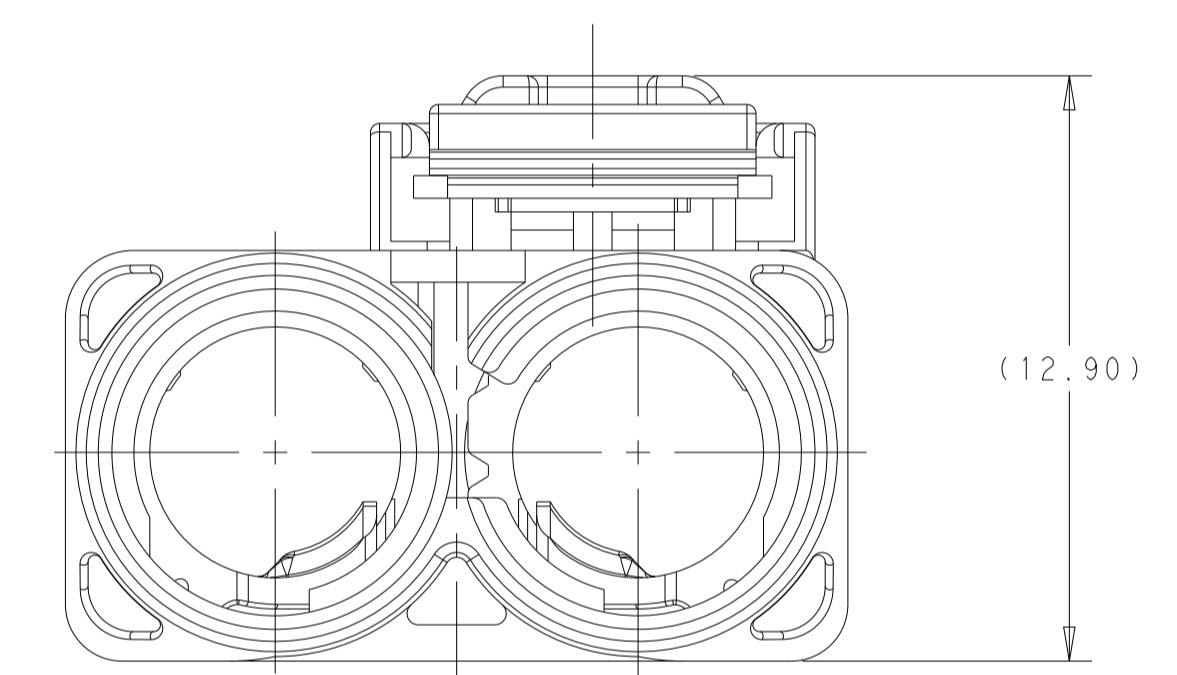
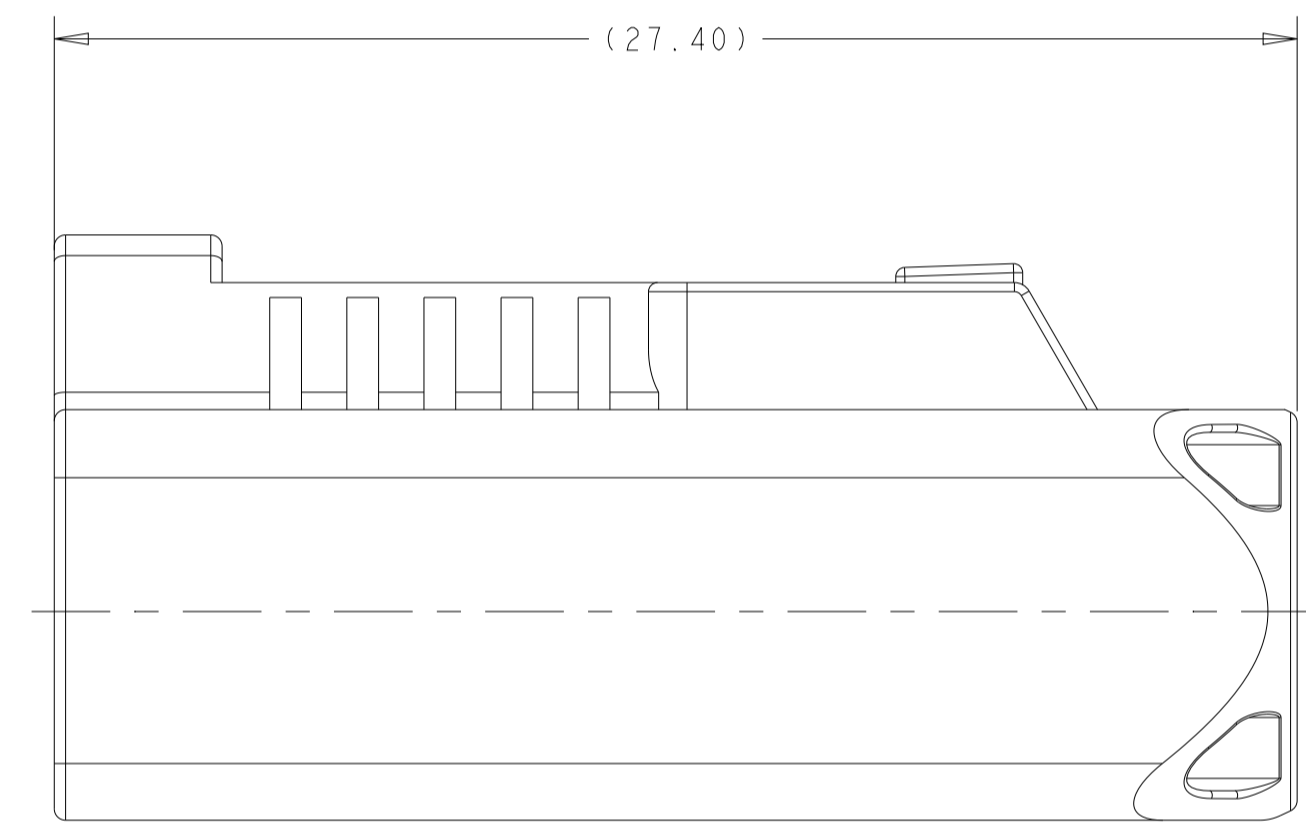
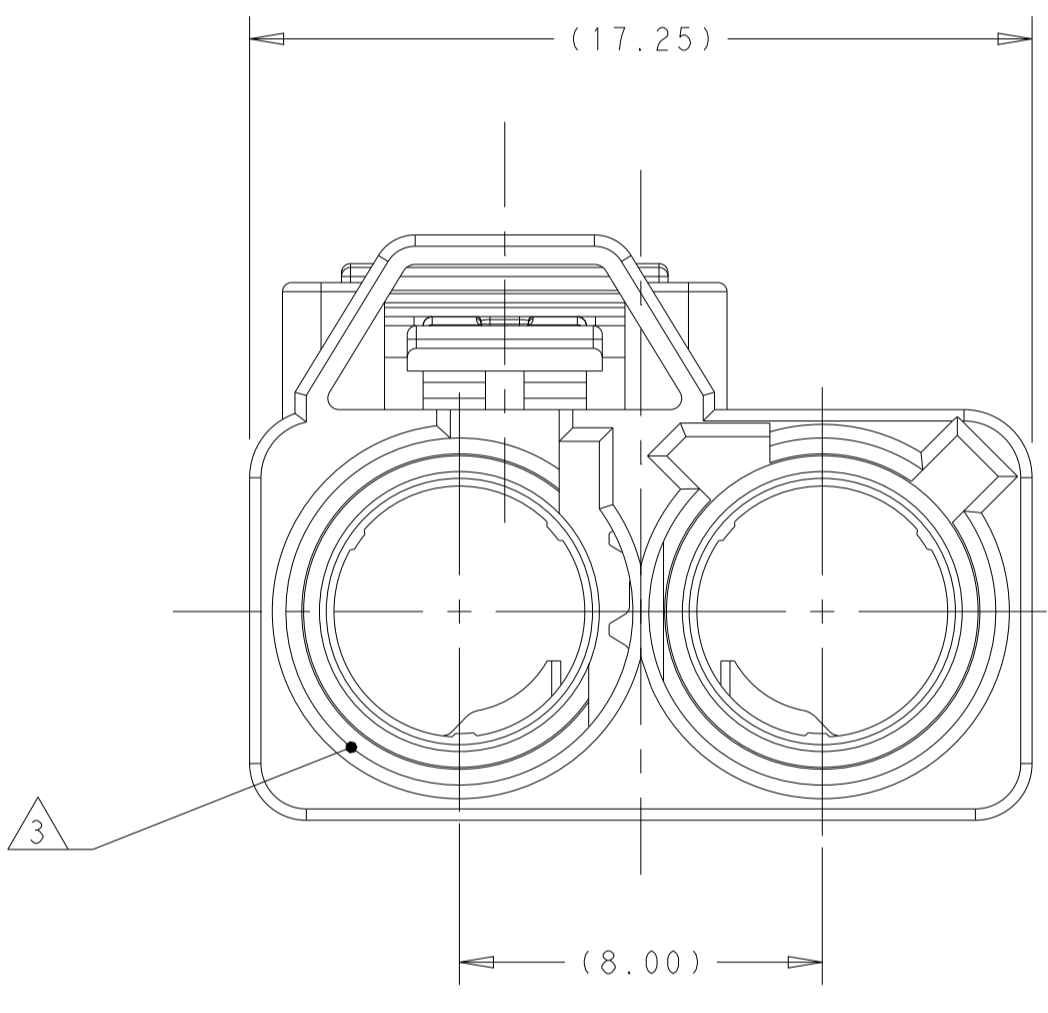
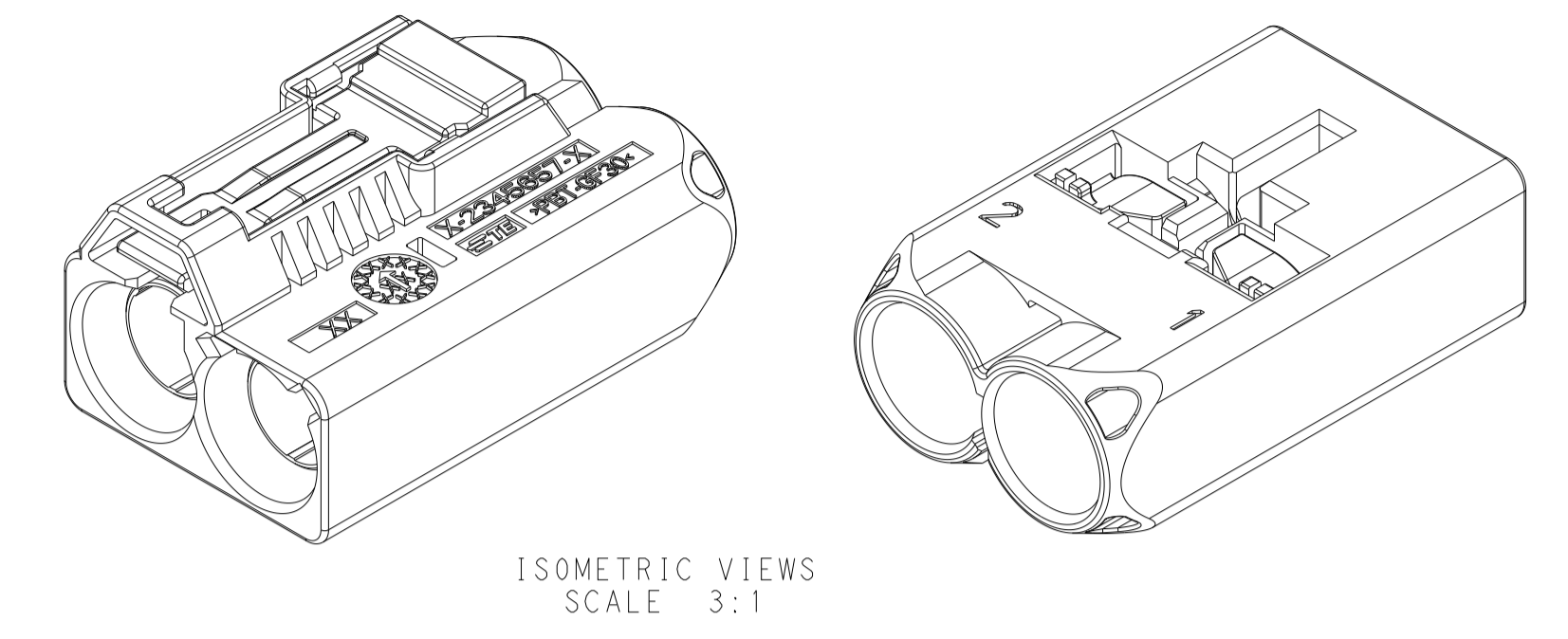
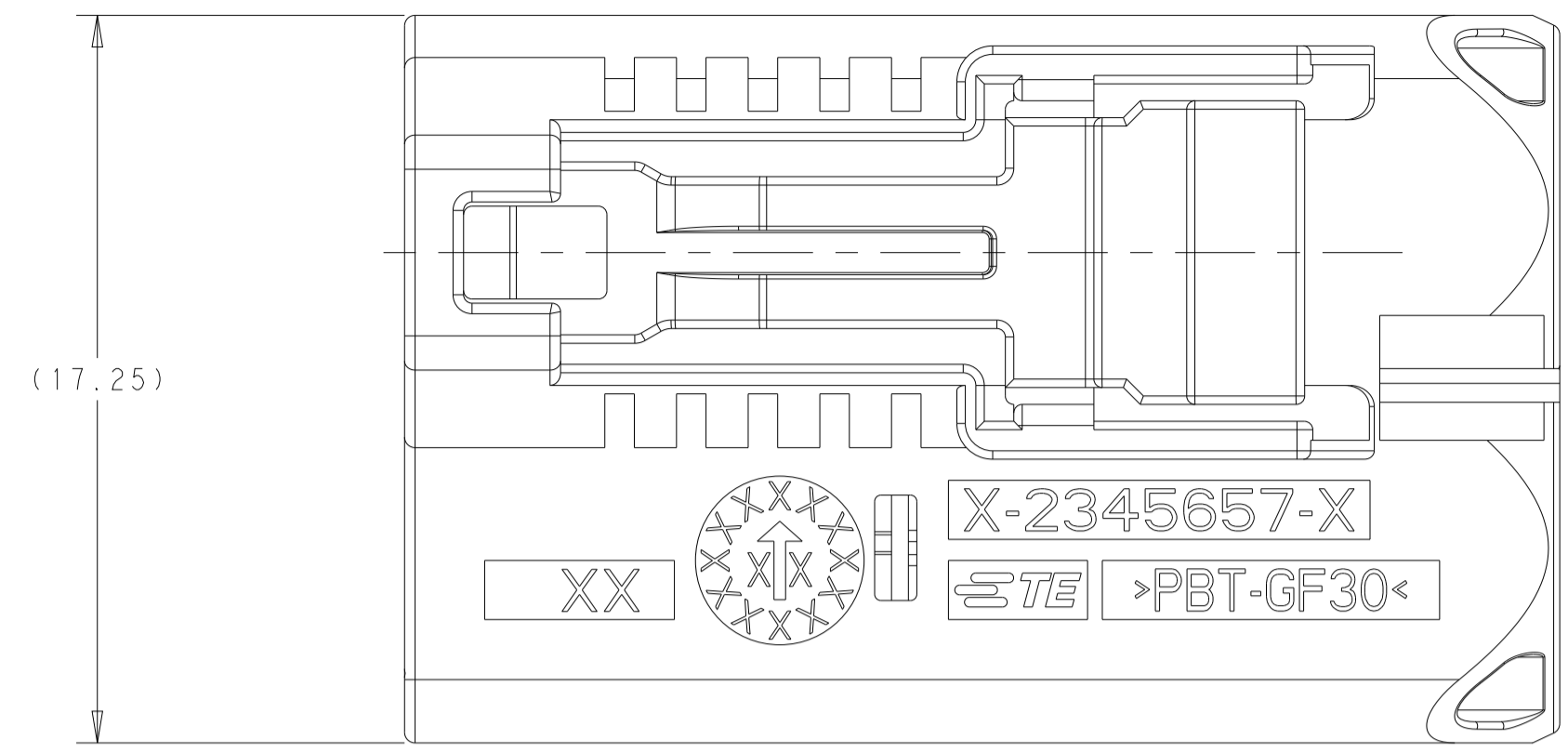


REVISIONS				
P	LTN	DESCRIPTION	DATE	APVD
A		INITIAL RELEASE	22 JUL 2022	SR AC



Z	PER DETAIL Z	WATER BLUE	2-2345657-0
N	PER DETAIL N	PASTEL GREEN	1-2345657-3
M	PER DETAIL M	PASTEL ORANGE	1-2345657-2
L	PER DETAIL L	CARMINE RED	1-2345657-1
K	PER DETAIL K	CURRY	1-2345657-0
I	PER DETAIL I	BEIGE	2345657-9
H	PER DETAIL H	HEATHER VIOLET	2345657-8
G	PER DETAIL G	BLUE GREY	2345657-7
F	PER DETAIL F	NUT BROWN	2345657-6
E	PER DETAIL E	LEAF GREEN	2345657-5
D	PER DETAIL D	CLARET VIOLET	2345657-4
C	PER DETAIL C	SIGNAL BLUE	2345657-3
B	PER DETAIL B	CREAM	2345657-2
A	PER DETAIL A	JET BLACK	2345657-1
KEY CODE	KEYING	CODING COLOR	PART NUMBER

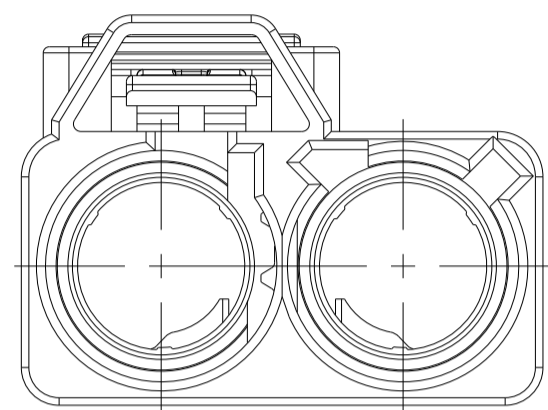
- 1. 2345657-1 AS SHOWN.
- 2 MATERIAL, POLYESTER PBT, COLOR SEE TABLE.
- 3 FEMALE INTERFACE PER ISO-20860-1, ISO-20860-2, SAE/USCAR-17, SAE/USCAR-18.

THIS DRAWING IS A CONTROLLED DOCUMENT.

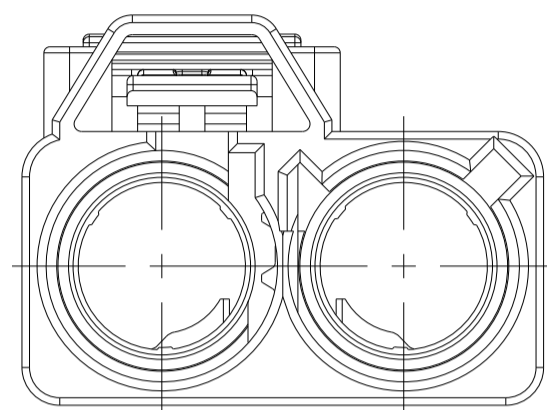
DIMENSIONS: mm 	TOLERANCES UNLESS OTHERWISE SPECIFIED: 0 PLC ± 1 PLC ± 2 PLC ± 3 PLC ± 4 PLC ± ANGLES ±1° FINISH	DWN J. SHIRK 08JUL2019 CHK N. EVANS 08JUL2019 APVD N. EVANS 08JUL2019 PRODUCT SPEC 108-32137 APPLICATION SPEC 114-32145 WEIGHT - CUSTOMER DRAWING	NAME FEMALE HOUSING, 2 POSITION, 8.0mm CENTERLINE, 180 DEGREE, FAKRA SIZE A1 CAGE CODE - DRAWING NO. 2345657 RESTRICTED TO SCALE 6:1 SHEET 1 OF 2 REV A
-----------------------	---	---	--

**STE** TE Connectivity

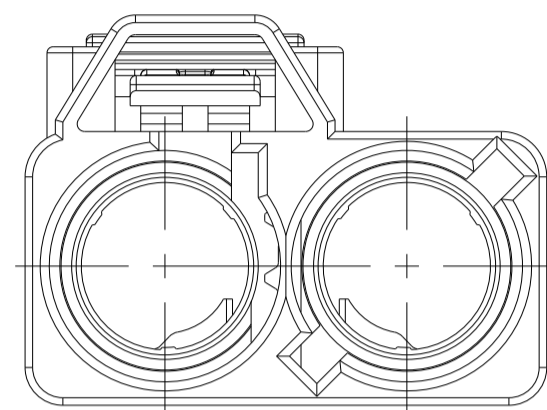
REVISIONS				
P	LTN	DESCRIPTION	DATE	APVD
-		SEE SHEET 1	-	-



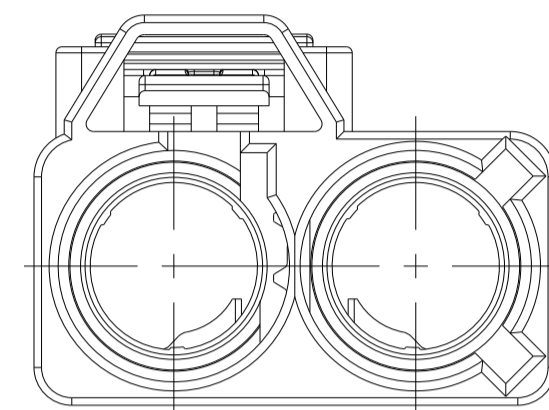
DETAIL A  
SCALE 4:1



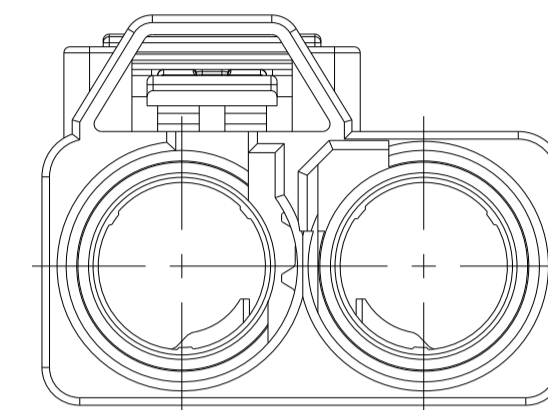
DETAIL B  
SCALE 4:1



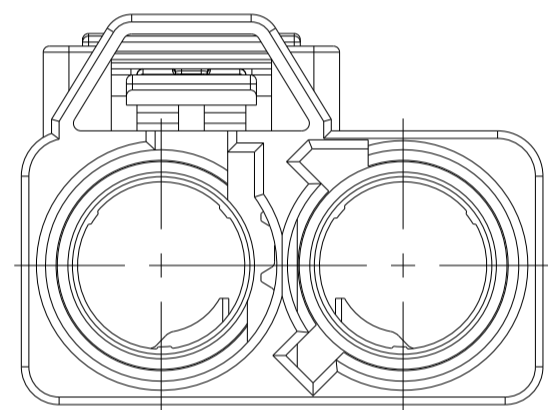
DETAIL C  
SCALE 4:1



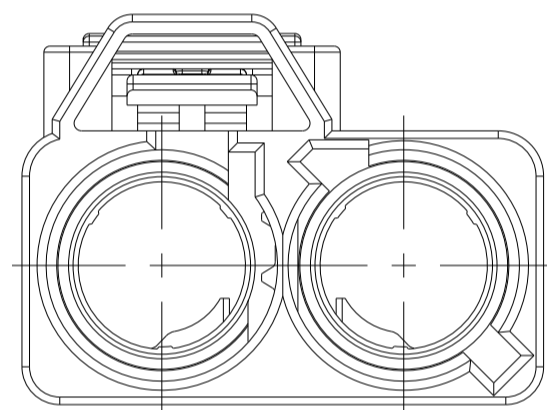
DETAIL D  
SCALE 4:1



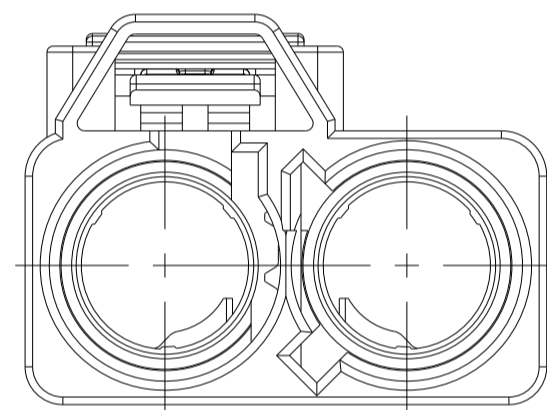
DETAIL E  
SCALE 4:1



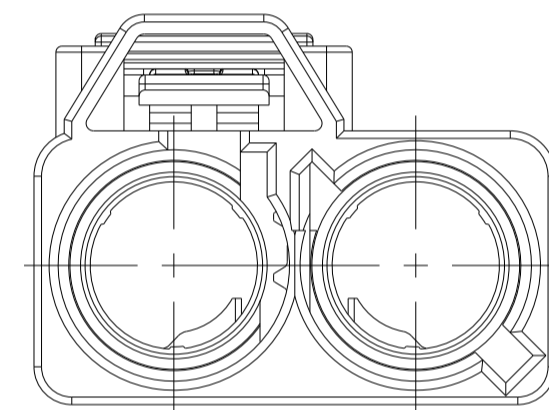
DETAIL F  
SCALE 4:1



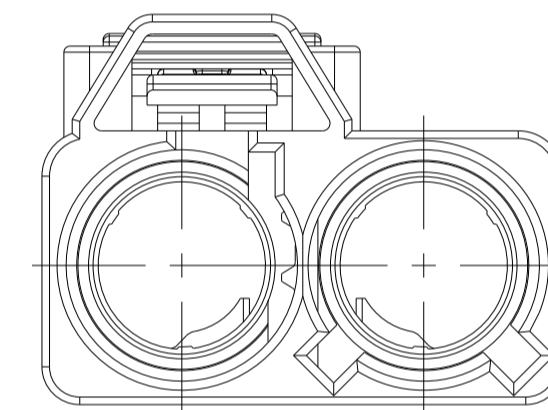
DETAIL G  
SCALE 4:1



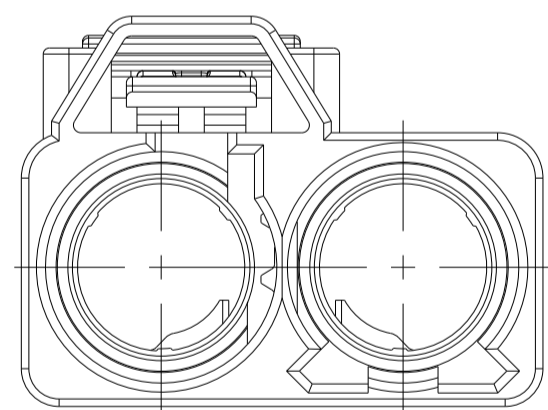
DETAIL H  
SCALE 4:1



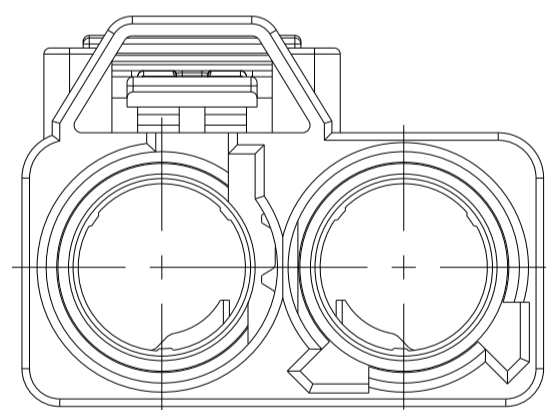
DETAIL I  
SCALE 4:1



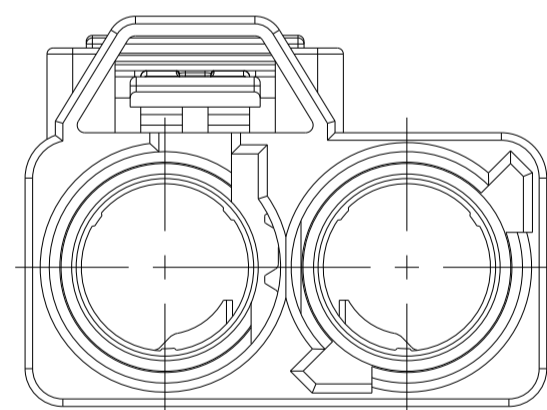
DETAIL K  
SCALE 4:1



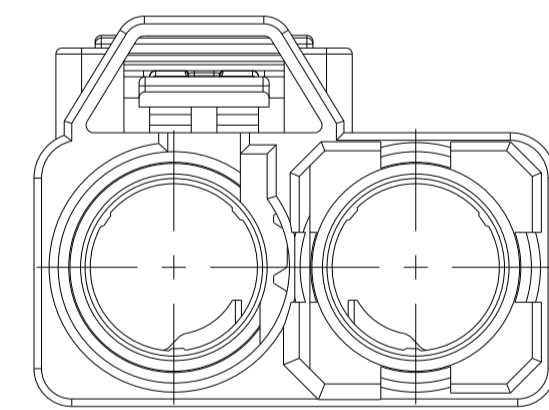
DETAIL L  
SCALE 4:1



DETAIL M  
SCALE 4:1



DETAIL N  
SCALE 4:1



DETAIL Z  
SCALE 4:1

THIS DRAWING IS A CONTROLLED DOCUMENT.		OWN J. SHIRK 08JUL2019	
DIMENSIONS: mm		CHK N. EVANS 08JUL2019	
TOLERANCES UNLESS OTHERWISE SPECIFIED:		APVD N. EVANS 08JUL2019	NAME FEMALE HOUSING, 2 POSITION, 8.0mm CENTERLINE, 180 DEGREE, FAKRA
0 PLC ±	1 PLC ±	PRODUCT SPEC	SIZE CAGE CODE DRAWING NO
2 PLC ±	3 PLC ±	108-32137	RESTRICTED TO
4 PLC ±	ANGLES ±	APPLICATION SPEC	A I - C=2345657
FINISH ±1°	WEIGHT	114-32145	SCALE 5:1 SHEET 2 OF 2 REV A
MATERIAL	CUSTOMER DRAWING		